



KONNECTED JOE™ BUILT IN GUIDE

IMPORTANT INSTALL NOTES:

Please use this as a general guide for installing your Konnected Joe into a built-in outdoor kitchen or grill table. We highly recommend that the actual grill being installed be measured. Drawing is not to scale.

Table should be fixed on the ground or wall. Non-flammable building materials are required for construction.

TABLE REQUIREMENTS:

MATERIALS: Ensure the materials used are non-combustible and can handle high temperatures.

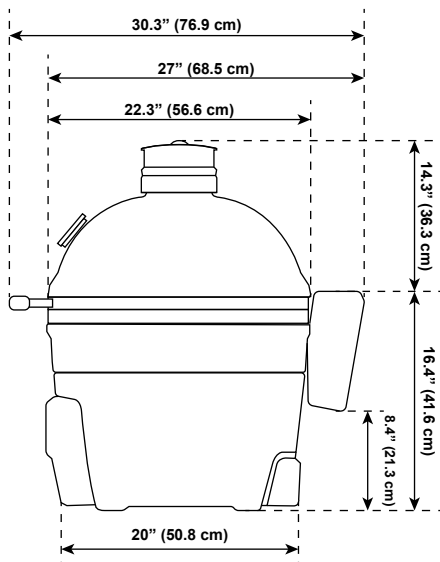
BASE: Ensure there is a hole 12.25in (32cm) in diameter directly underneath the grill to allow cool air to reach the bottom of the grill. Use caution, sparks and hot ash can reach the bottom of the grill.

Note: the Kamado Joe ceramic feet are not to be used in absence of the hole under the grill. The hole is required and the ceramic feet are NOT compatible with Konnected Joe.

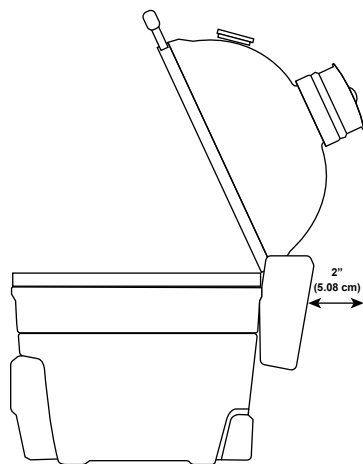
ACCESS: Ensure there is rear access to the main power switch. Ensure there is front access so that the Kontrol Board or Ash Drawer are not blocked.

CLEARANCE: Ensure there is space between the top of the table and the edge of the grill. The table top SHOULD NOT make direct contact with the grill.

SIDE VIEW



OPEN CLEARANCE



TOP VIEW

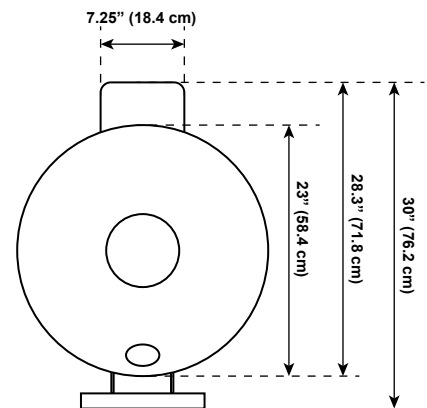


TABLE FRONT

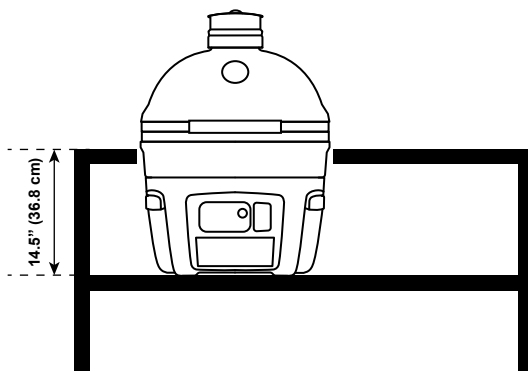


TABLE TOP

