

MASTERBUILT®



MB20041525

Gravity Series™ 1150 Digital Charcoal Grill and Smoker
Barbecue et fumoir numériques au charbon de bois Gravity Series™ 1150
Parrilla y ahumador de carbón digital de la serie Gravity™ 1150

Welcome | Bienvenue | Bienvenido

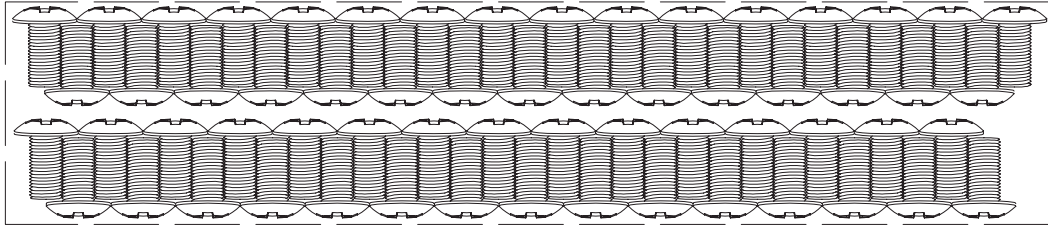
Assembly images are shown first. Please read this entire manual before installation and use of this charcoal fuel burning appliance. Failure to follow these instructions could result in property damage, bodily injury or even death. Contact local building or fire officials about restrictions and installation inspection requirements in your area. Save these instructions. A MAJOR CAUSE OF FIRES IS FAILURE TO MAINTAIN REQUIRED CLEARANCES (AIR SPACES) TO COMBUSTIBLE MATERIALS. IT IS OF UTMOST IMPORTANCE THAT THIS PRODUCT BE INSTALLED ONLY IN ACCORDANCE WITH THESE INSTRUCTIONS.

Les images de montage sont montrées en premier. Veuillez lire ce manuel au complet avant l'installation et l'utilisation de cet appareil au charbon de bois. Le non-respect de ces instructions pourrait entraîner des dommages matériels, des blessures corporelles ou même la mort. Prenez contact avec les responsables locaux de la construction ou des incendies pour connaître les restrictions et les exigences en matière d'inspection des installations dans votre région. Conservez ces instructions.

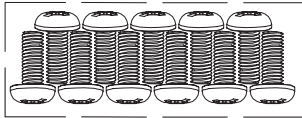
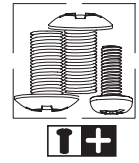
LE NON-RESPECT DES DÉGAGEMENTS (ESPACES LIBRES) REQUIS POUR LES MATÉRIAUX COMBUSTIBLES EST L'UNE DES PRINCIPALES CAUSES D'INCENDIE. IL EST EXTRÊMEMENT IMPORTANT D'INSTALLER CE PRODUIT CONFORMÉMENT À CES INSTRUCTIONS SEULEMENT.

Las imágenes de ensamblaje se muestran primero. Lea todo este manual antes de la instalación y uso de este artefacto de quema de combustible a carbón. Si no sigue estas instrucciones podrían producirse daños a la propiedad, lesiones corporales o incluso la muerte. Contacte al encargado de incendios o de su edificio local con respecto a las restricciones y requerimientos de inspección de la instalación en su área. Conserve estas instrucciones.

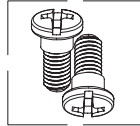
UNA DE LAS PRINCIPALES CAUSAS DE INCENDIO ES NO CONTAR CON EL ESPACIO DESPEJADO REQUERIDO (ESPACIOS LIBRES) FRENTE A LOS MATERIALES COMBUSTIBLES. ES DE PRIMORDIAL IMPORTANCIA QUE ESTE PRODUCTO SEA INSTALADO ÚNICAMENTE EN CONFORMIDAD CON ESTAS INSTRUCCIONES.



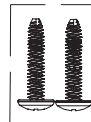
A: M6x12 (x61)



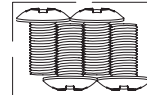
B: M4x10 (x11)



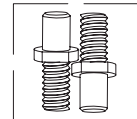
C: M5x12 (x2)



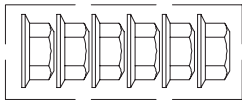
D: ST3x15 (x2)



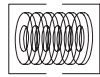
E: M5x10 (x4)



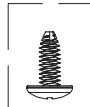
F: M5x20 (x2)



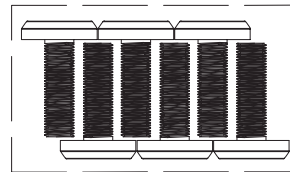
G: M6 (x6)



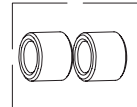
H: M6 (x6)



I: ST4x10 (x1)

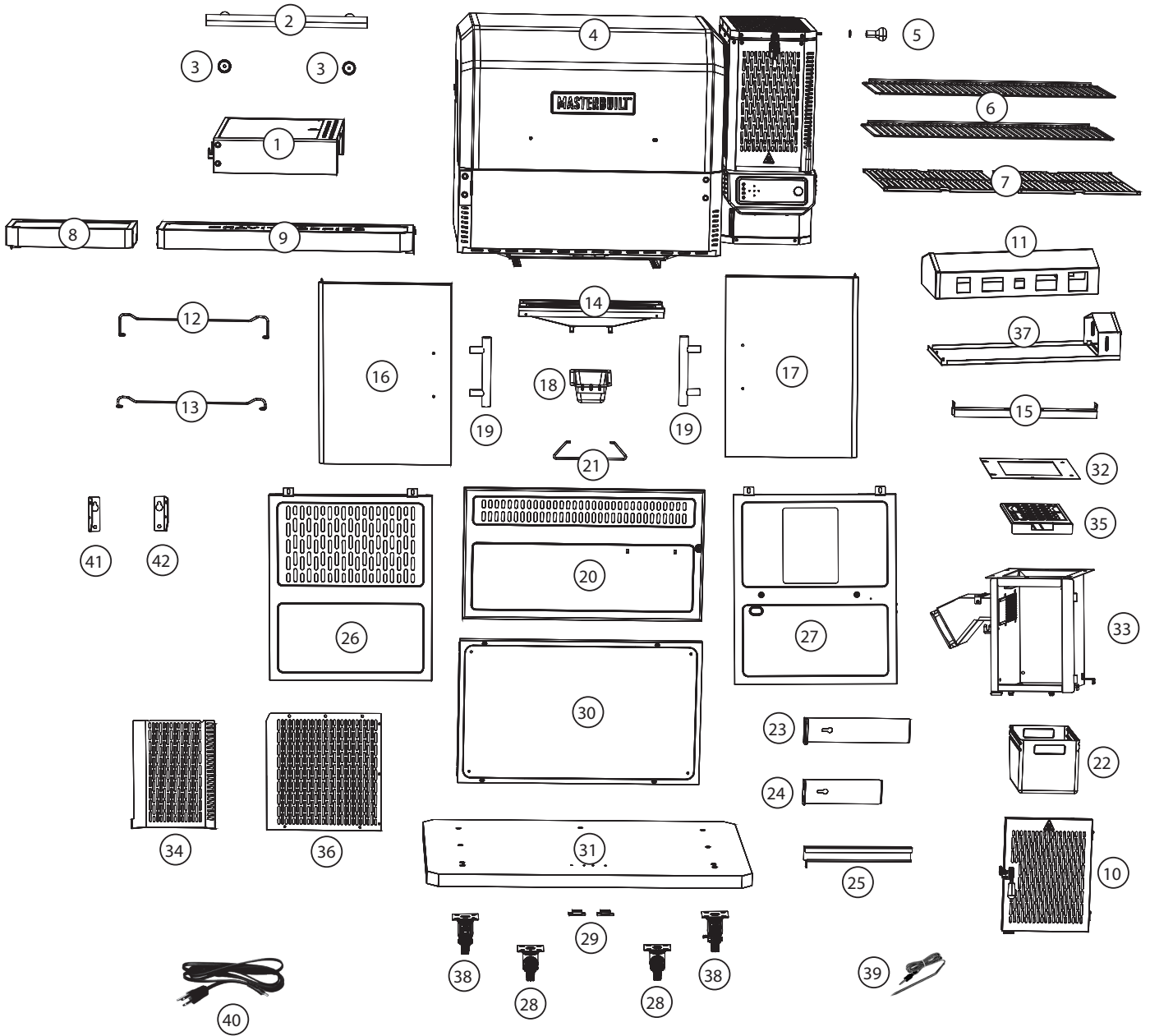


J: M6x20 (x6)



K: M6 (x2)

GSG1150



Parts List English

NO.	QTY.	DESCRIPTION	NO.	QTY.	DESCRIPTION
1	1	Side Shelf Assembly	22	1	Ash Tray Assembly
2	1	Lid Handle	23	1	Heat Intake Slide (Large)
3	2	Lid Handle Base	24	1	Air Intake Slide (Small)
4	1	Body Assembly	25	1	Lower Hopper Support
5	1	Hopper Lid Handle	26	1	Cart Panel - Side Shelf Side
6	2	Smoking/Warming Racks	27	1	Cart Panel - Hopper Side
7	2	Smoke + Sear Grates	28	2	3" Swivel Casters
8	1	Front Shelf - Small	29	2	Magnetic Latches
9	1	Front Shelf - Large	30	1	Upper Shelf Assembly
10	1	Hopper Door Latch	31	1	Bottom Shelf Assembly
11	1	Heat Manifold (Grill Top)	32	1	Hopper Gasket
12	1	Left Griddle Support Bracket	33	1	Hopper Assembly - Bottom
13	1	Right Griddle Support Bracket	34	1	Hopper Shrouding (Rear)
14	1	Grease Pan Assembly	35	1	Charcoal Grate Assembly
15	1	Heat Manifold Support	36	1	Hopper Shrouding (Side)
16	1	Left Cart Door	37	1	Heat Manifold (Grill Bottom)
17	1	Right Cart Door	38	2	3" Locking Casters
18	1	Grease Tray	39	1	Meat Probe
19	2	Cart Door Handels	40	1	Power Cord
20	1	Back Cart Panel	41	1	Left Front Shelf Bracket
21	1	Power Cord Wrap	42	1	Right Front Shelf Bracket

BEFORE ASSEMBLY READ ALL INSTRUCTIONS CAREFULLY

- Assemble on a clean flat surface.
- Recommend assembling on cardboard to avoid residue on floors or scratches.
- Gloves recommended for assembly.
- Tools needed: Phillips head screwdriver.
- Approximate assembly time: 1 hour, 45 minutes.
- Requires two people assemble for safety, ease, and reduction of assembly time.
- Actual product may differ from picture shown.
- It is possible that some assembly steps have been completed in the factory.
- Remove all advertisement labels before use.

DO NOT RETURN TO RETAILER!

For assembly assistance, missing or damaged parts, please contact Masterbuilt® Customer Service.

Masterbuilt® Premier Specialty Brands, LLC, 5367 New Peachtree Road, Suite 150, Chamblee, GA 30341

www.masterbuilt.com/pages/customer-support

Masterbuilt® Kamado Joe Europe, Lange Voorhout 86, 2514 EJ, Den Haag, Netherlands

international.masterbuilt.com/pages/customer-support

Masterbuilt® Kamado Joe UK Limited, Cheyenne House West Street, Farnham GU9 7EQ

international.masterbuilt.com/pages/customer-support

Australia & New Zealand: Please contact your retailer

Liste des pièces

N°	QTÉ	DESCRIPTION	N°	QTÉ	DESCRIPTION
1	1	Assemblage de l'étagère latérale	22	1	Assemblage du bac à cendres
2	1	Poignée du couvercle	23	1	Glissière de l'entrée de chaleur (grande)
3	2	Base de la poignée du couvercle	24	1	Glissière de l'entrée d'air (petite)
4	1	Assemblage du bâti	25	1	Support inférieur de trémie
5	1	Poignée du couvercle de la trémie	26	1	Panneau de chariot – côté étagère latérale
6	2	Grilles de fumage/réchauds	27	1	Panneau de chariot – côté trémie
7	2	Grilles Fumer + Saisir	28	2	Roulettes pivotantes de 3 po
8	1	Étagère avant – petite	29	2	Verrous magnétiques
9	1	Étagère avant – grande	30	1	Assemblage de l'étagère supérieure
10	1	Loquet de la porte de la trémie	31	1	Assemblage de l'étagère inférieure
11	1	Collecteur de chauffage (haut du barbecue)	32	1	Joint d'étanchéité de la trémie
12	1	Patte de support de la plaque chauffante gauche	33	1	Assemblage de la trémie – fond
13	1	Patte de support de la plaque chauffante droite	34	1	Bandage de la trémie (arrière)
14	1	Assemblage du plateau à graisse	35	1	Assemblage de la grille à charbon de bois
15	1	Support de la rampe de chauffage	36	1	Bandage de la trémie (latéral)
16	1	Porte gauche du chariot	37	1	Collecteur de chauffage (fond du barbecue)
17	1	Porte droite du chariot	38	2	Roulettes bloquantes de 3 po
18	1	Bac à graisse	39	1	Thermomètre à viande
19	2	Poignées de porte du chariot	40	1	Cordon d'alimentation
20	1	Panneau arrière du chariot	41	1	Support avant gauche de l'étagère
21	1	Enrouleur pour cordon d'alimentation	42	1	Support avant droit de l'étagère

AVANT L'ASSEMBLAGE, LIRE ATTENTIVEMENT TOUTES LES INSTRUCTIONS.

- Assembler l'appareil sur une surface plane et propre.
- Il est recommandé d'effectuer l'assemblage sur du carton afin d'éviter de laisser des résidus sur les planchers ou de causer des égratignures.
- Le port de gants est recommandé pour l'assemblage.
- Outils nécessaires : tournevis cruciforme.
- Temps nécessaire pour l'assemblage : environ 1 heure 45 minutes.
- Il est recommandé que l'assemblage soit effectué par deux personnes pour des raisons de sécurité et pour faciliter l'assemblage et réduire le temps requis.
- Le produit réel peut différer de l'illustration
- Il est possible que certaines étapes d'assemblage aient été effectuées en usine.
- Enlever toutes les étiquettes imprimées avant l'utilisation.

NE PAS RENVOYER AU DÉTAILLANT !

Pour obtenir de l'aide pour l'assemblage ou des pièces manquantes ou endommagées, appelez le service à la clientèle de Masterbuilt®.

Masterbuilt® Premier Specialty Brands, LLC, 5367 New Peachtree Road, Suite 150, Chamblee, GA 30341

www.masterbuilt.com/pages/customer-support

Masterbuilt® Kamado Joe Europe, Lange Voorhout 86, 2514 EJ, Den Haag, Pays-Bas

international.masterbuilt.com/pages/customer-support

Masterbuilt® Kamado Joe UK Limited, Cheyenne House West Street, Farnham GU9 7EQ

international.masterbuilt.com/pages/customer-support

Australie et Nouvelle-Zélande : Veuillez prendre contact avec votre détaillant

Lista de partes

N.º	CANT.	DESCRIPCIÓN	N.º	CANT.	DESCRIPCIÓN
1	1	Ensamblaje de la repisa lateral	22	1	Ensamblaje de la bandeja de cenizas
2	1	Asa de la tapa	23	1	Deslizador de la admisión de aire (grande)
3	2	Base del asa de la tapa	24	1	Deslizador de la admisión de aire (pequeño)
4	1	Ensamblaje del cuerpo	25	1	Soporte inferior de la tolva
5	1	Asa de la tapa de la tolva	26	1	Panel del carro - Repisa lateral del costado
6	2	Repisas de ahumado/calentamiento	27	1	Panel del carro - Lado de la tolva
7	2	Rejillas para ahumar y sellar	28	2	Ruedecillas oscilantes de 7.62 cm
8	1	Repisa frontal - Pequeña	29	2	Pestillos magnéticos
9	1	Repisa frontal - Grande	30	1	Ensamblaje de la repisa superior
10	1	Seguro de la puerta de la tolva	31	1	Ensamblaje de la repisa inferior
11	1	Colector de calor (Parte superior de la parrilla)	32	1	Junta de la tolva
12	1	Abrazadera de soporte de la plancha izquierda	33	1	Ensamblaje de la tolva - Inferior
13	1	Abrazadera de soporte de la plancha derecha	34	1	Recubrimiento de la tolva (trasero)
14	1	Ensamblaje de la bandeja de grasa	35	1	Ensamblaje de la rejilla de carbón
15	1	Soporte del colector de calor	36	1	Recubrimiento de la tolva (lateral)
16	1	Puerta izquierda del carro	37	1	Colector de calor (Parte inferior de la parrilla)
17	1	Puerta derecha del carro	38	2	Ruedecillas con bloqueo de 7.62 cm
18	1	Bandeja de grasa	39	1	Sonda para carne
19	2	Asas de la puerta del carro	40	1	Cable de alimentación
20	1	Panel de carro trasero	41	1	Abrazadera izquierda de la repisa delantera
21	1	Enrollacables del cable de alimentación	42	1	Abrazadera derecha de la repisa delantera

ANTES DEL ENSAMBLAJE, LEA TODAS LAS INSTRUCCIONES CUIDADOSAMENTE

- Ensamble sobre una superficie plana y limpia.
- Se recomienda ensamblar sobre un cartón para evitar residuos en los pisos o rayones.
- Se recomienda usar guantes para el ensamblaje.
- Herramientas necesarias: Atornillador de cabeza en cruz (Phillips).
- Tiempo aproximado de ensamblaje: 1 hora, 45 minutos.
- Se recomienda ensamblarlo entre dos personas por motivos de seguridad, facilidad y reducción del tiempo de ensamblaje.
- El producto real puede ser distinto de la imagen mostrada.
- Es posible que algunos pasos del ensamblaje hayan sido completados en fábrica.
- Retire todas las etiquetas impresas antes de su uso.

¡NO REGRESE AL MINORISTA!

Para solicitar asistencia, o partes faltantes o dañadas, contacte al Servicio de asistencia al cliente de Masterbuilt®.

Masterbuilt® Premier Specialty Brands, LLC, 5367 New Peachtree Road, Suite 150, Chamblee, GA 30341

Masterbuilt® Kamado Joe Europa, Lange Voorhout 86, 2514 EJ, Den Haag, Países Bajos

Masterbuilt® Kamado Joe UK Limited, Cheyenne House West Street, Farnham GU9 7EQ

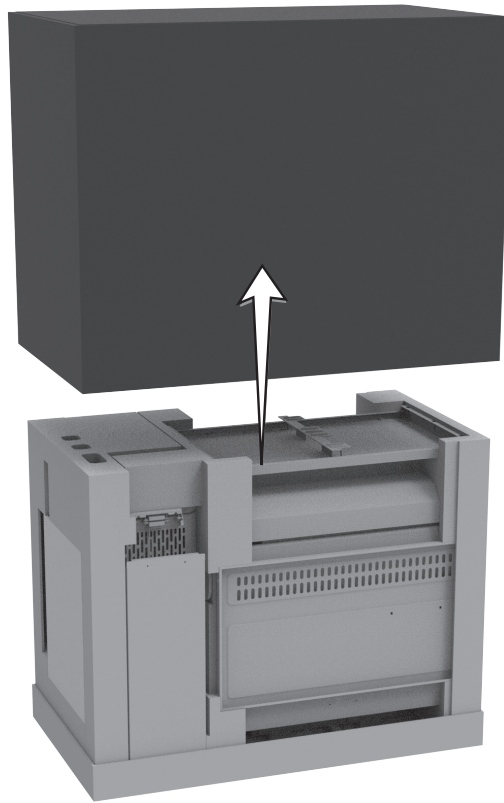
Australia y Nueva Zelanda Contacte a su distribuidor

www.masterbuilt.com/pages/customer-support

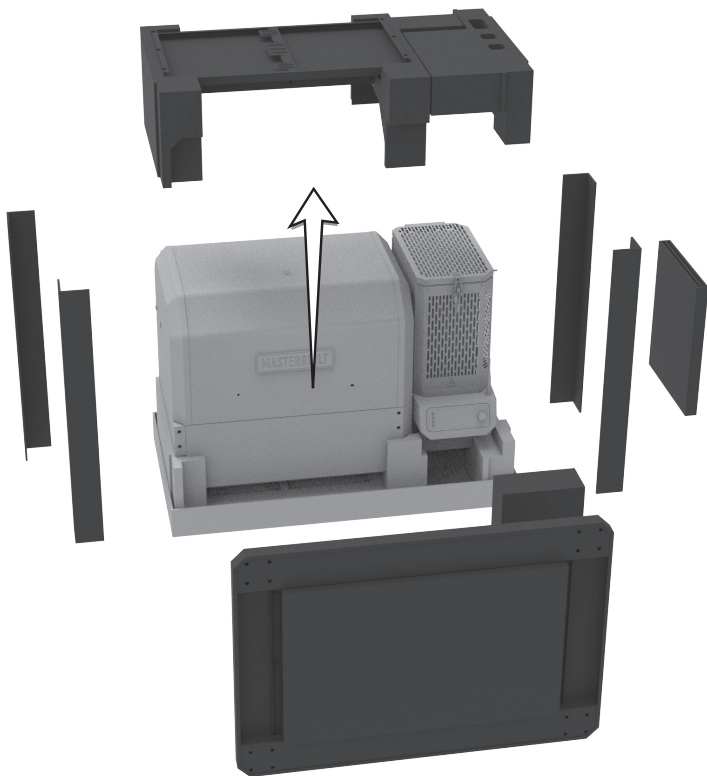
international.masterbuilt.com/pages/customer-support

international.masterbuilt.com/pages/customer-support

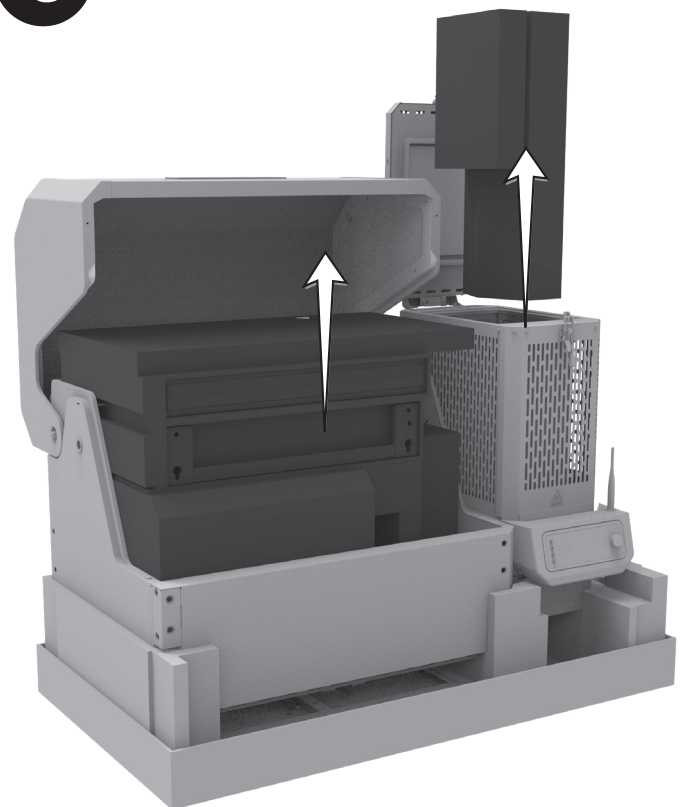
A



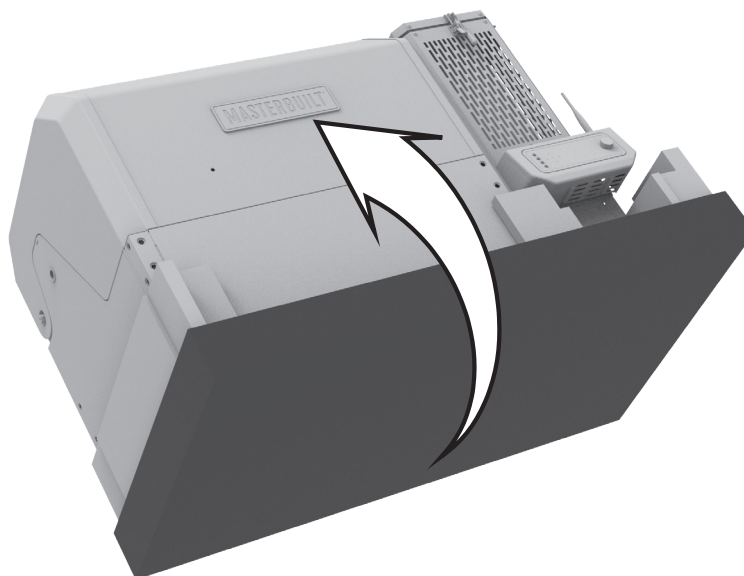
B



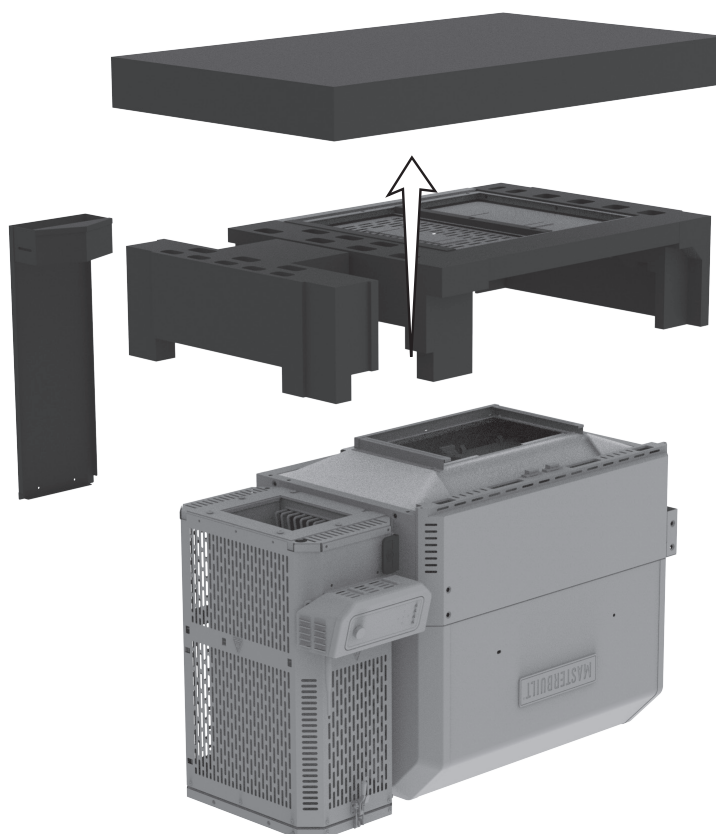
C



D

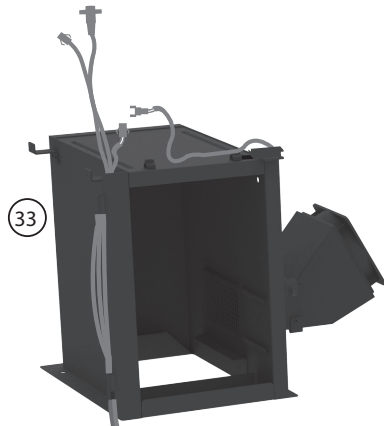


E

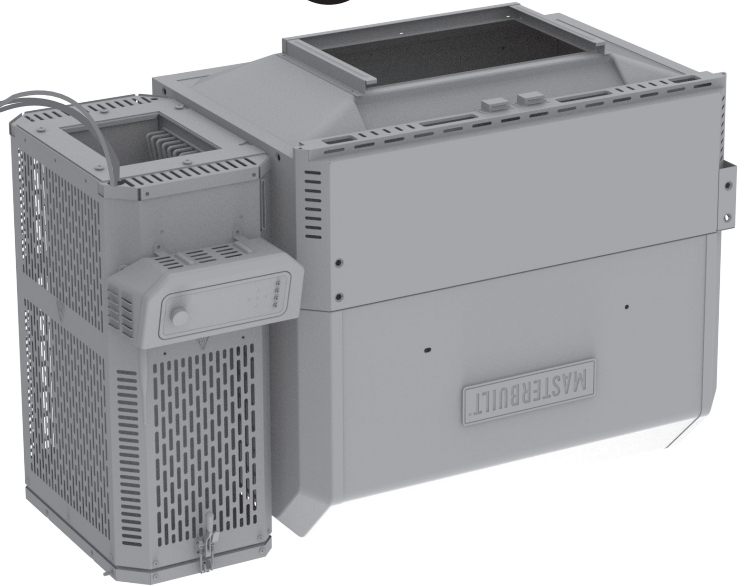
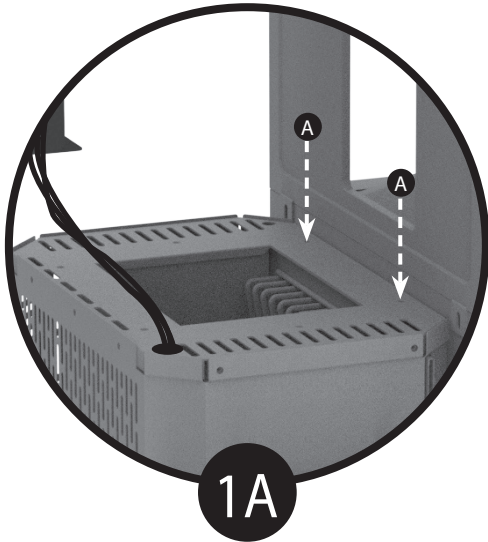


1

A
X2

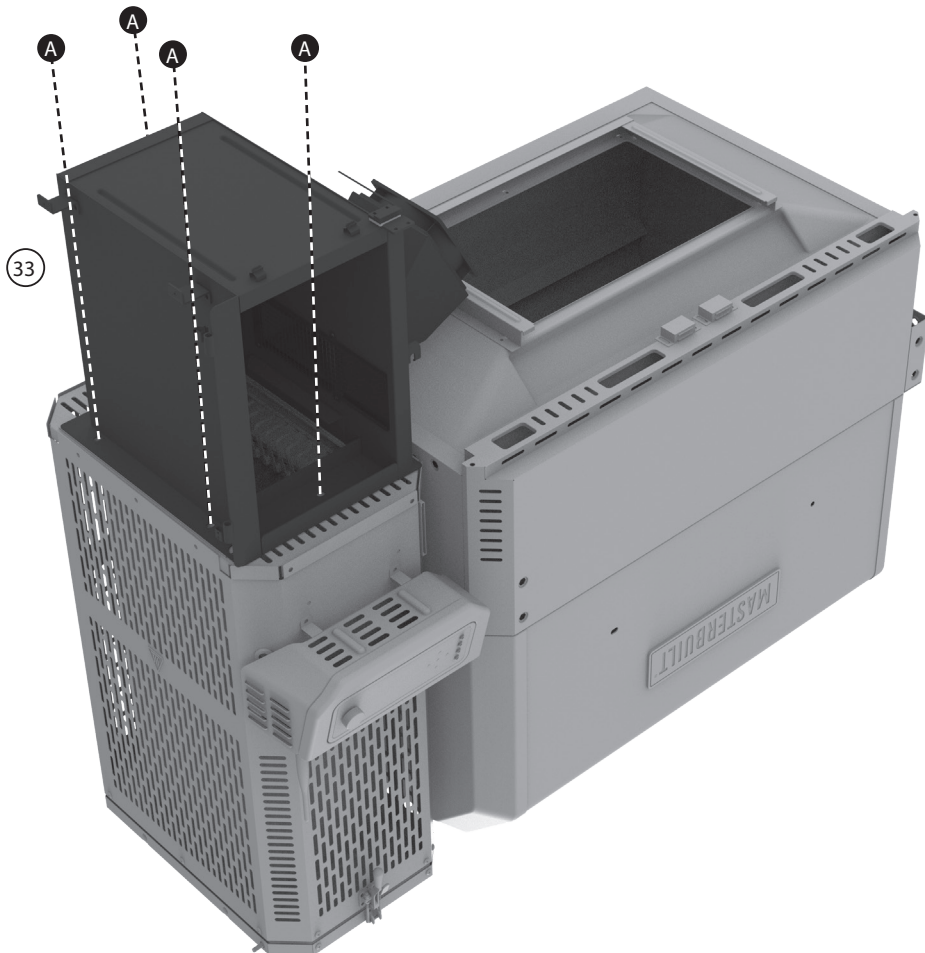


1B



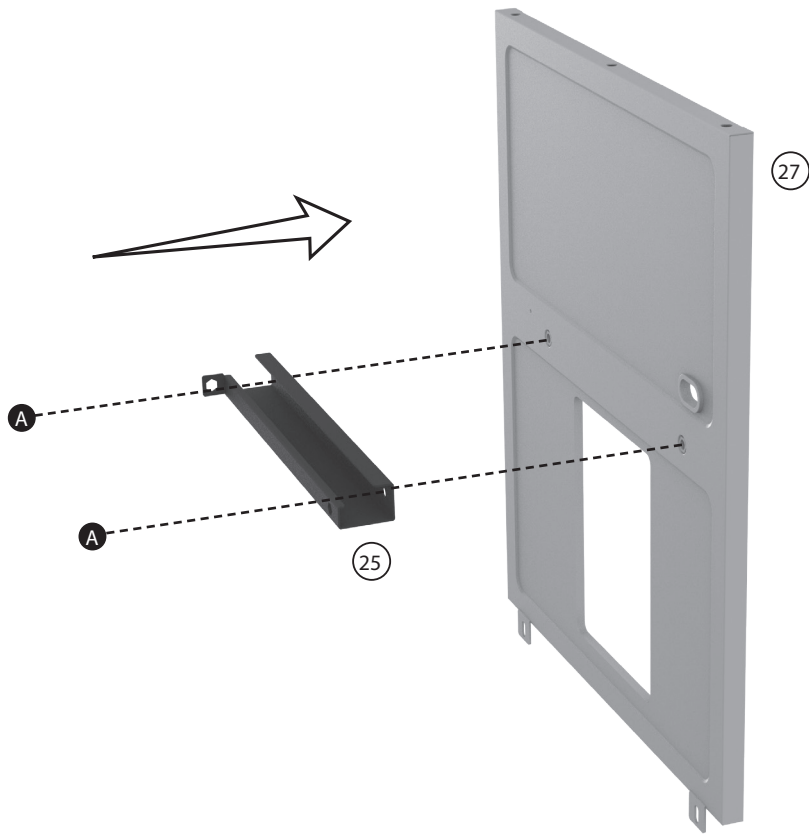
2

A
X4



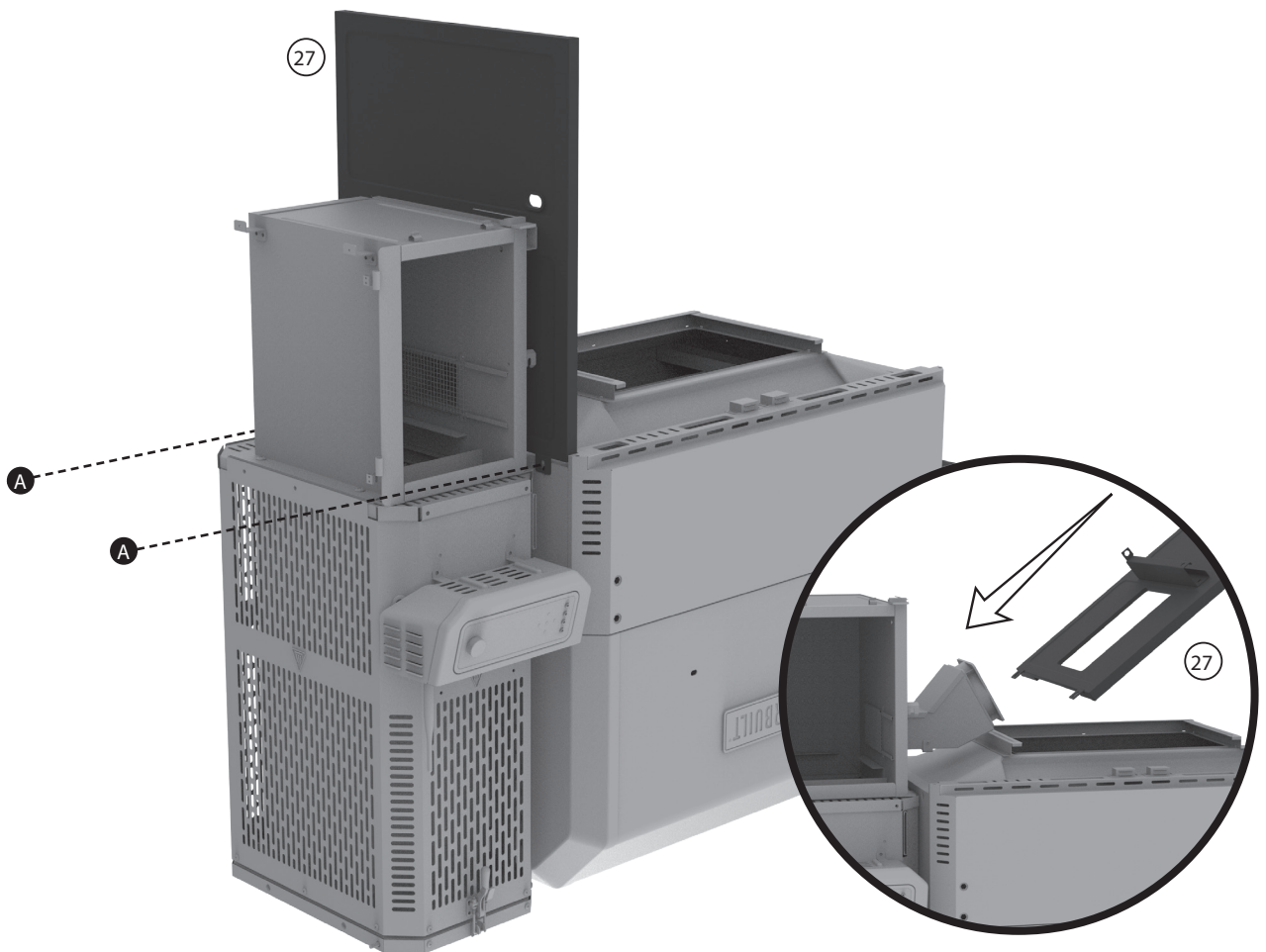
3

A
X2



4

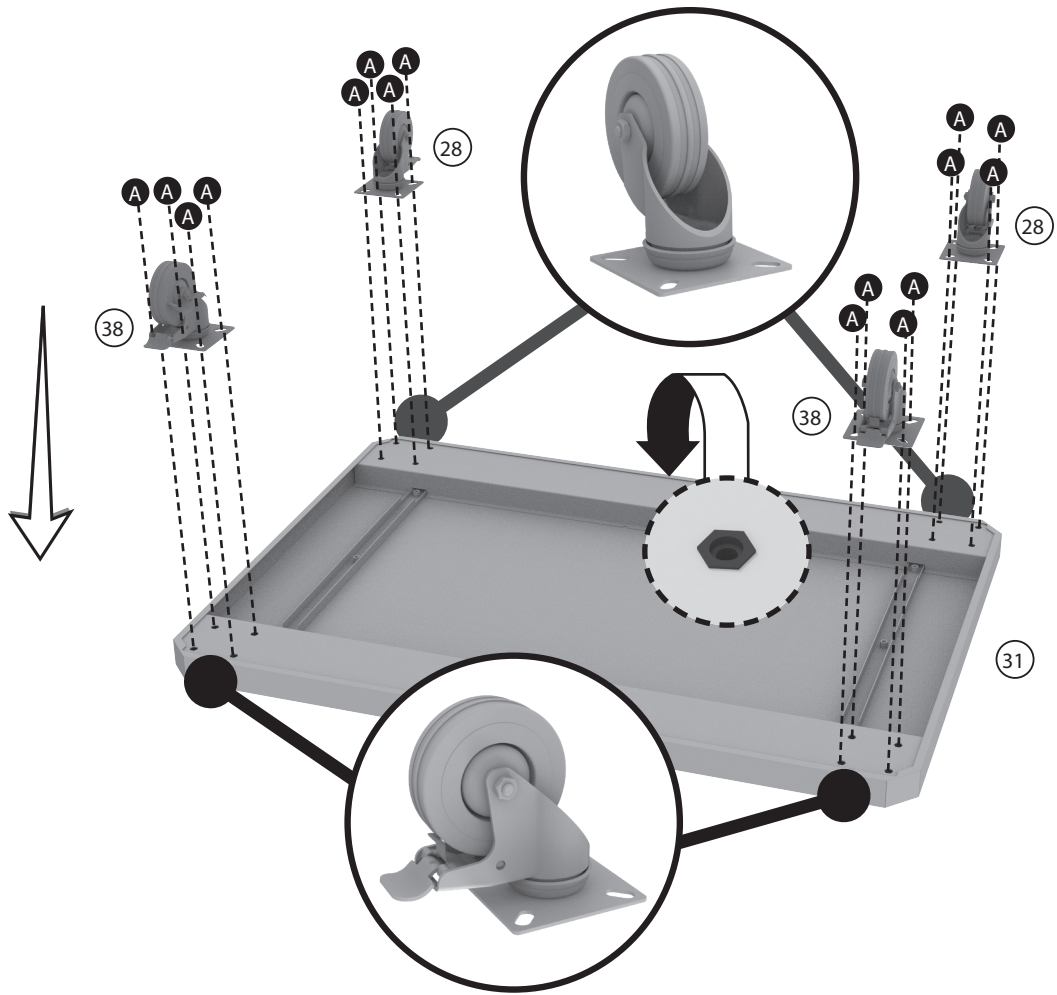
A
X2



5

A

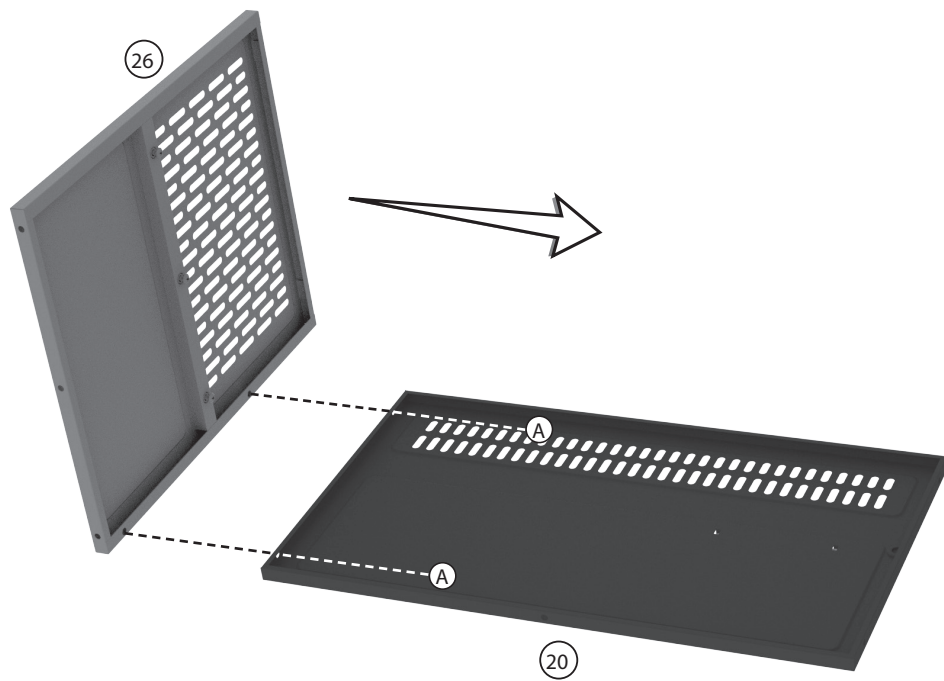
X16



6

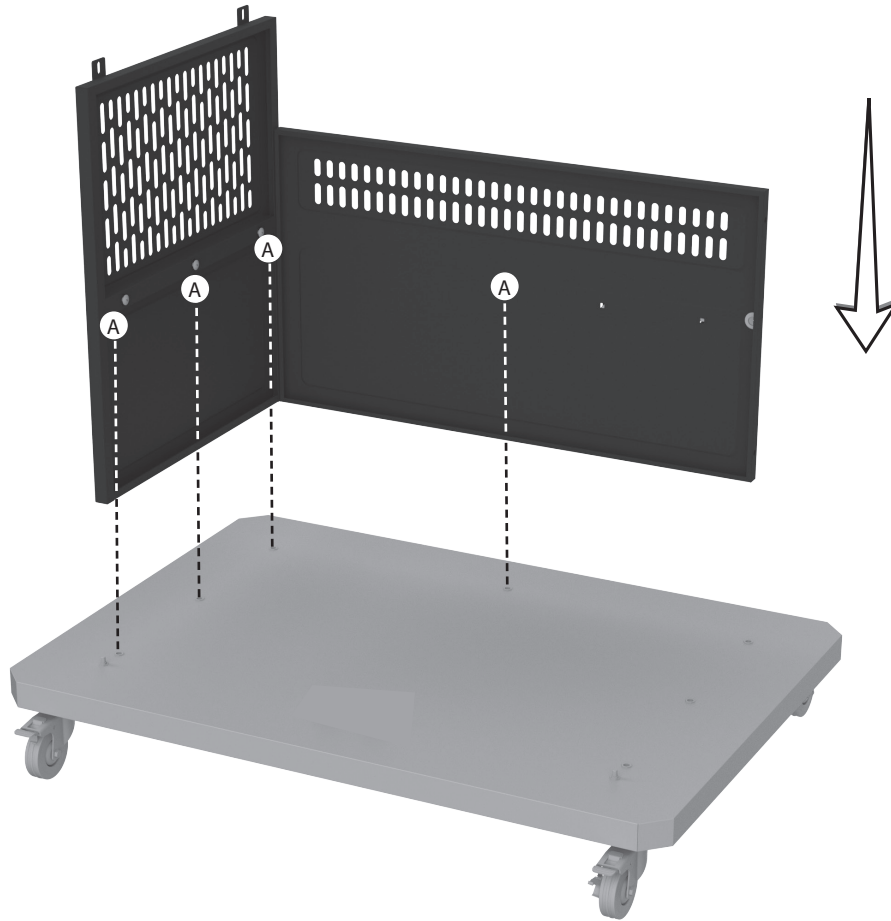
A

X2



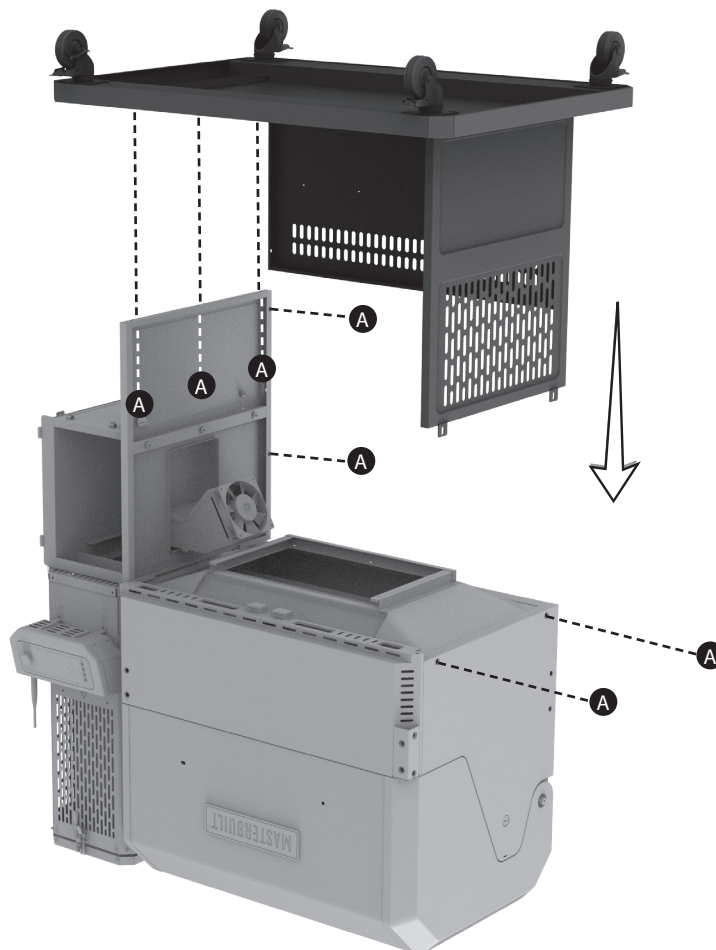
7

A
X4

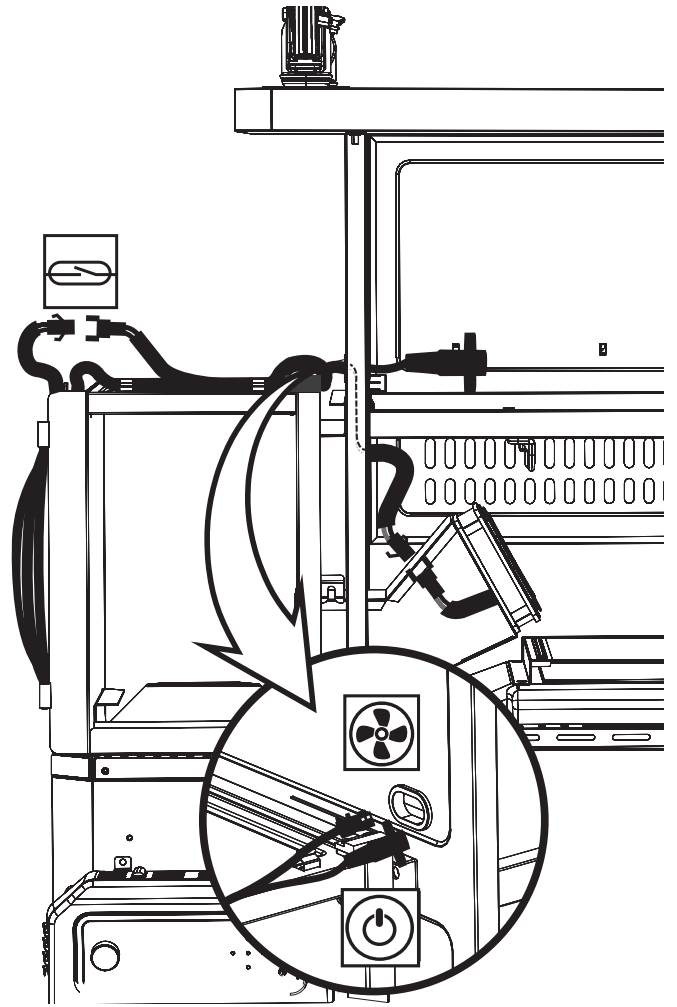
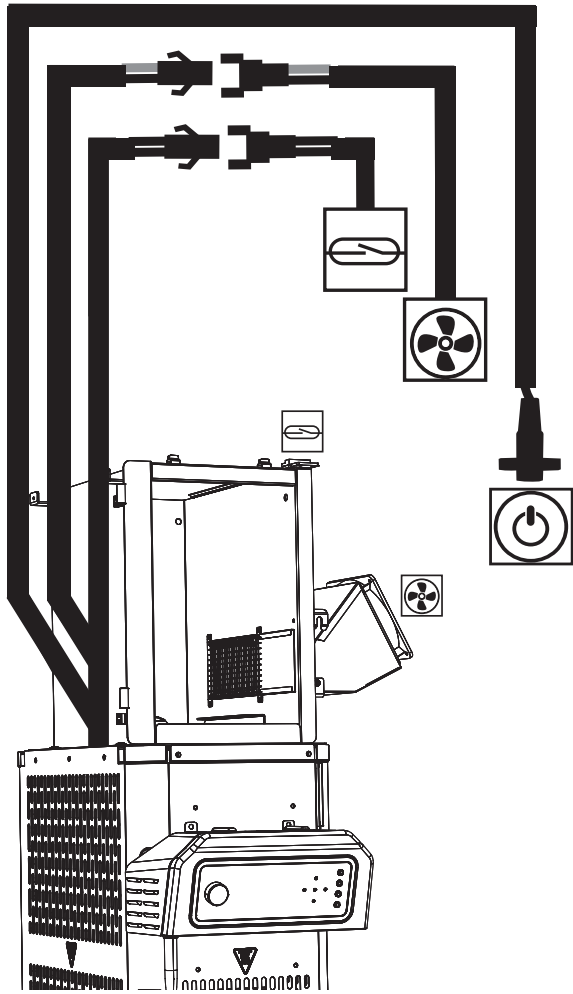


8

A
X7

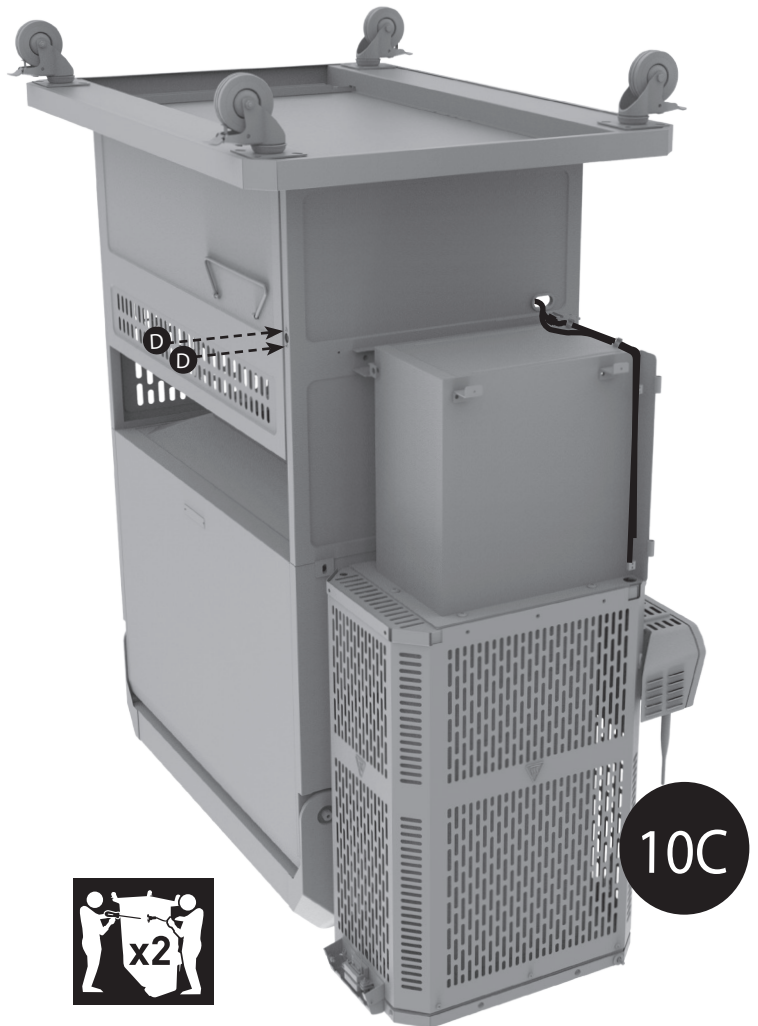
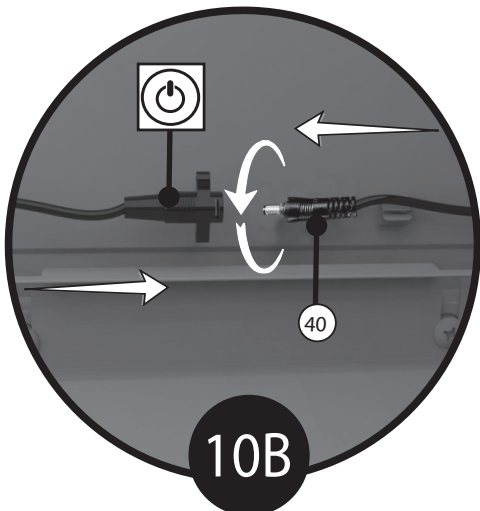
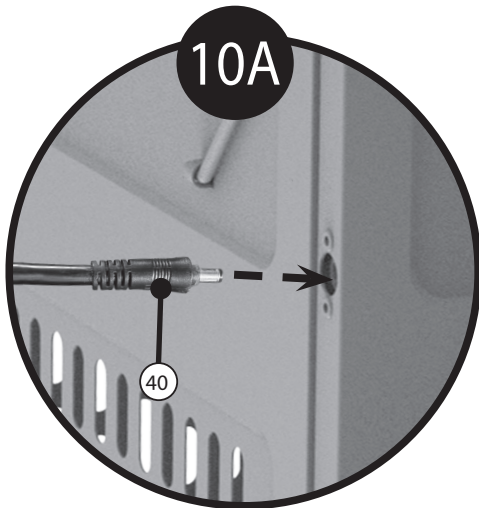


9



10

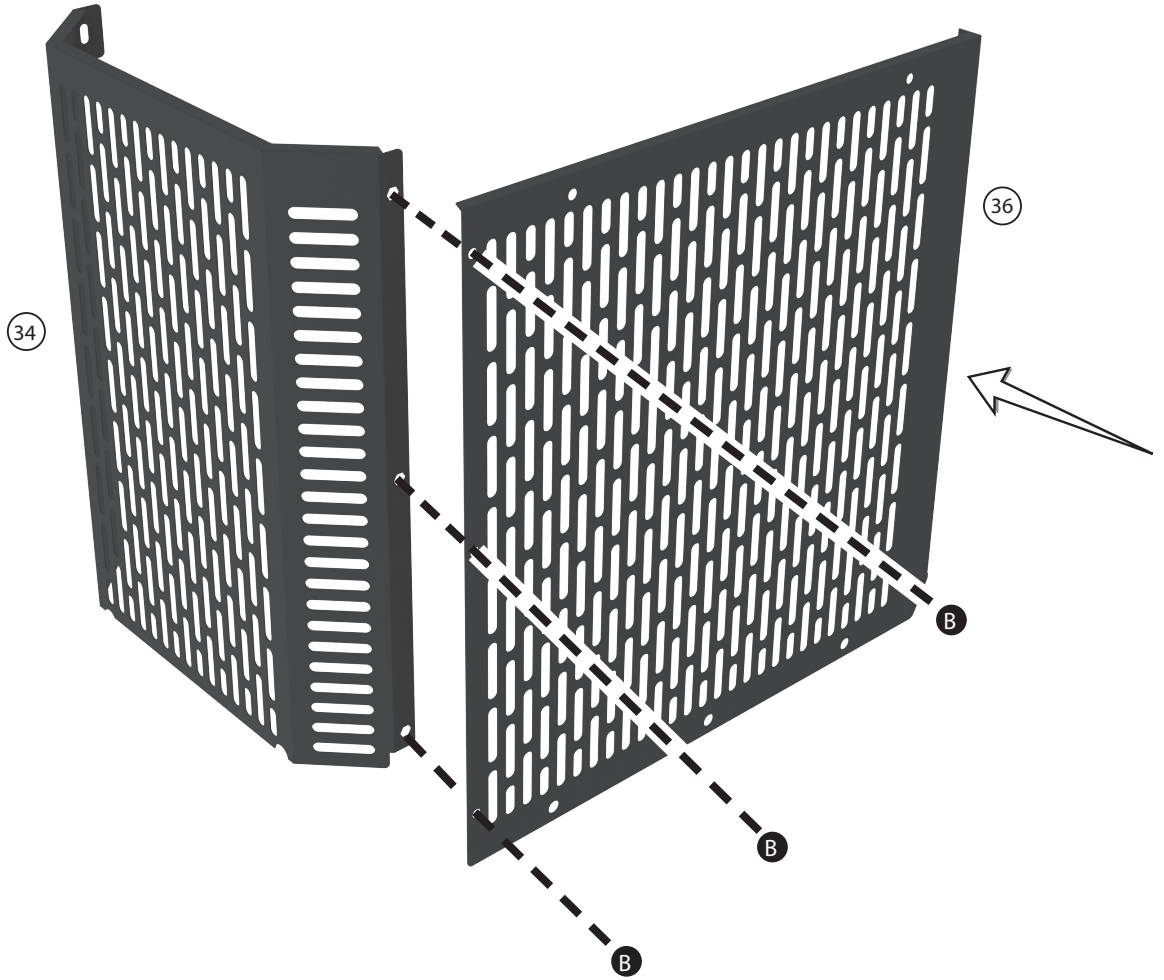
D
X2



10C

11

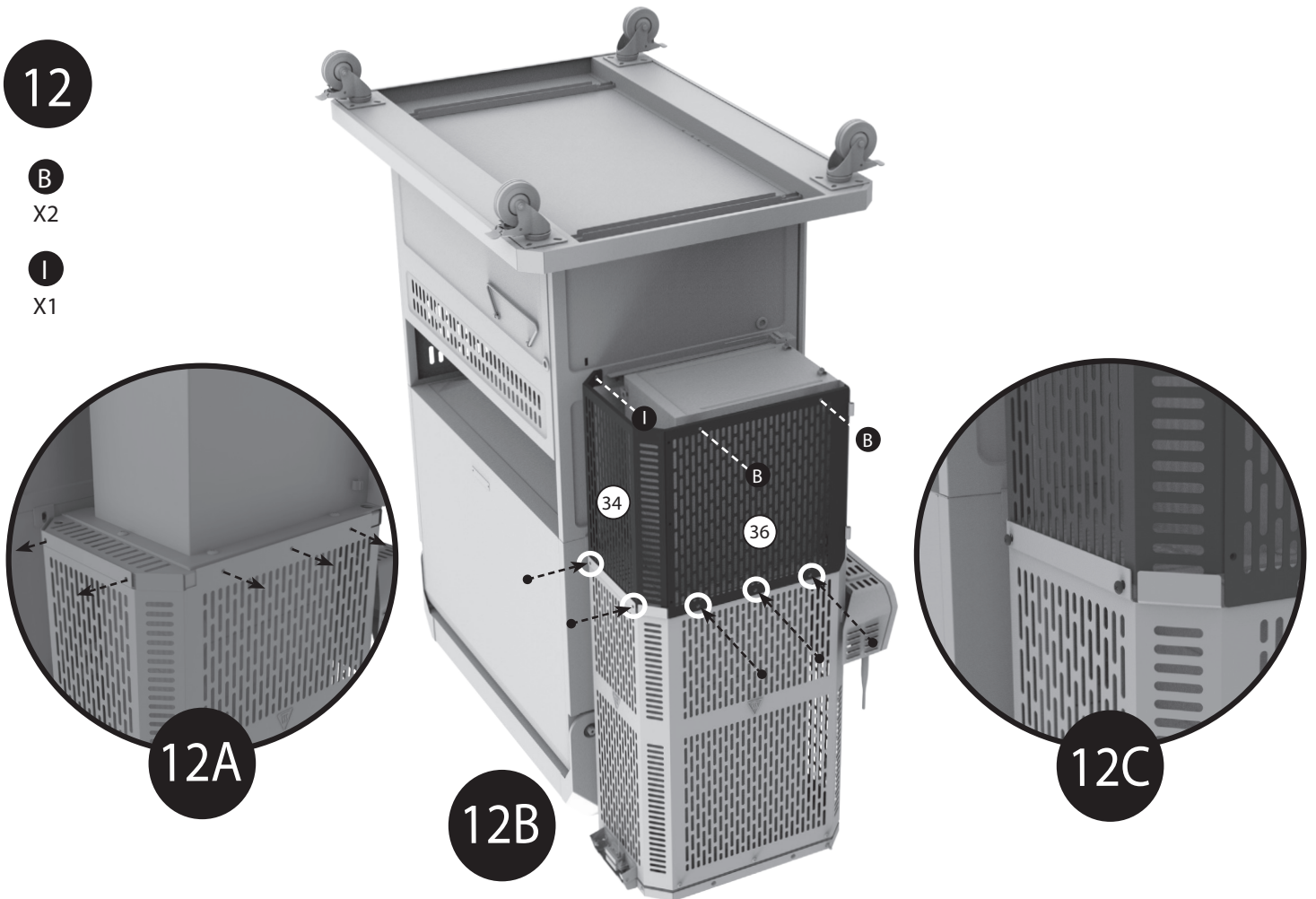
B
X3



12

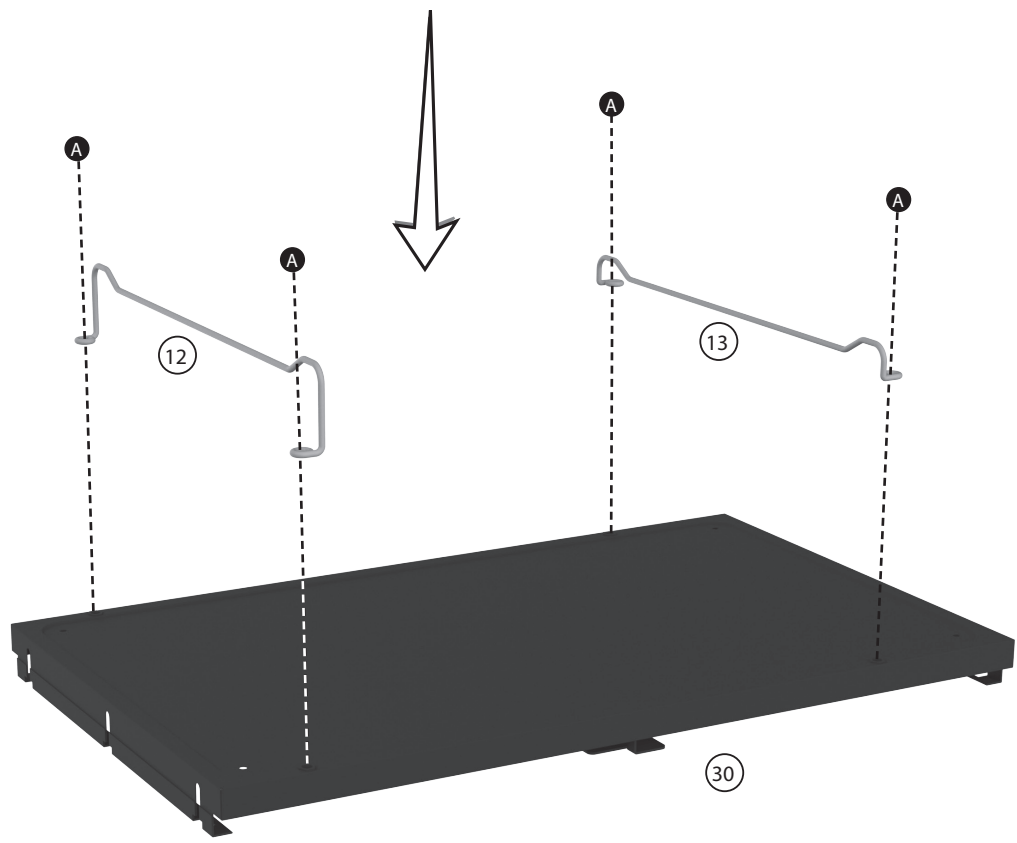
B
X2

I
X1

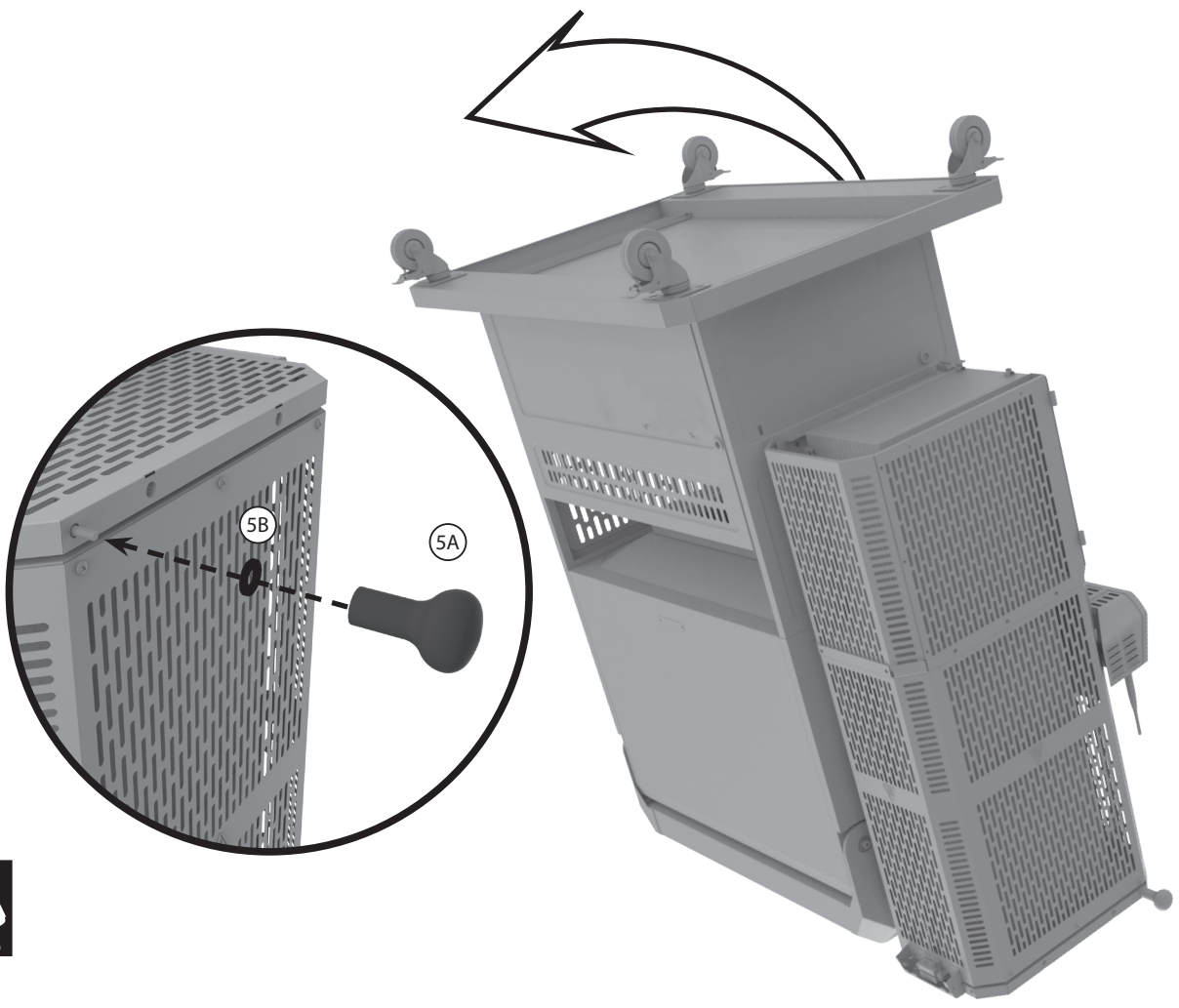


13

A
X4



14

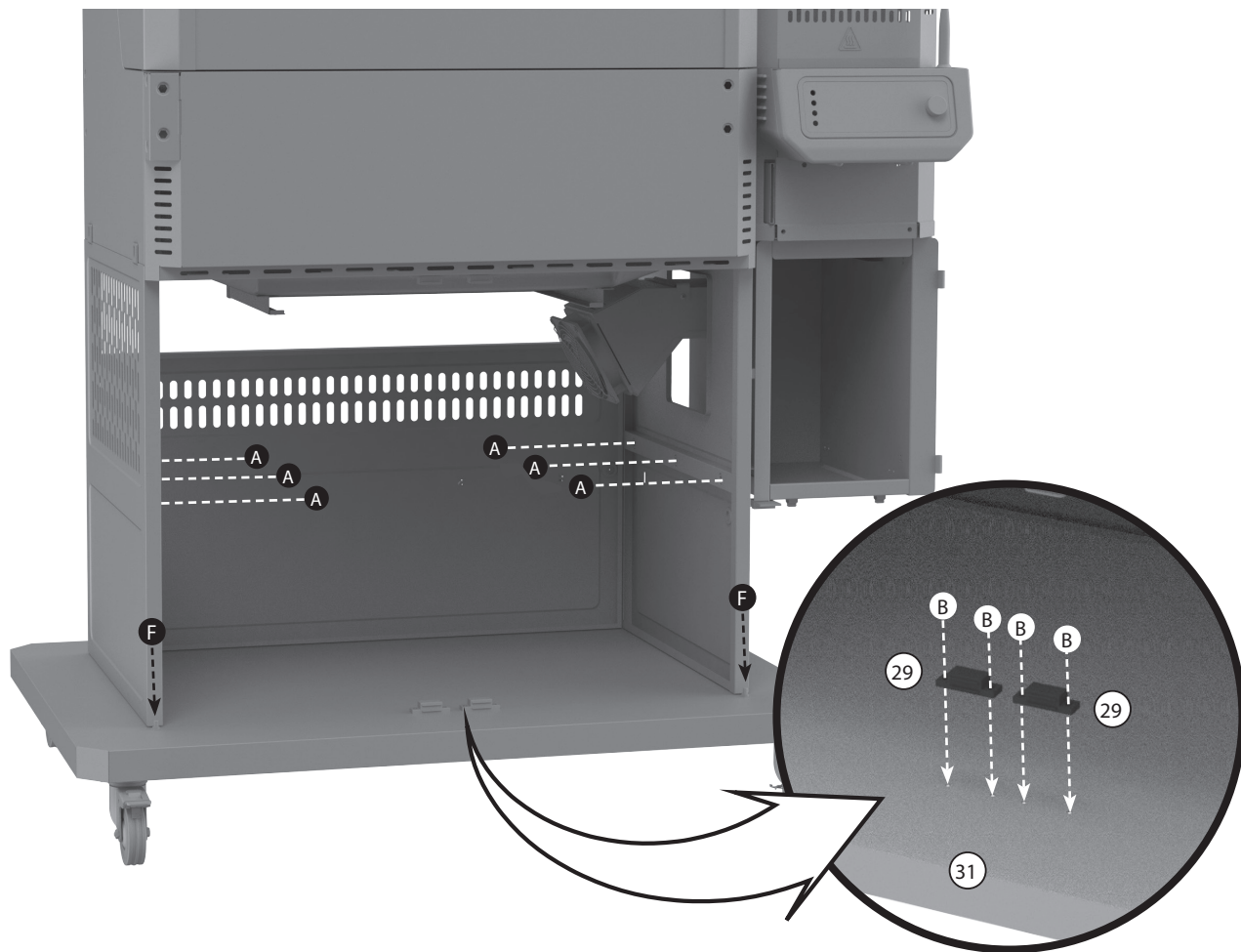


15

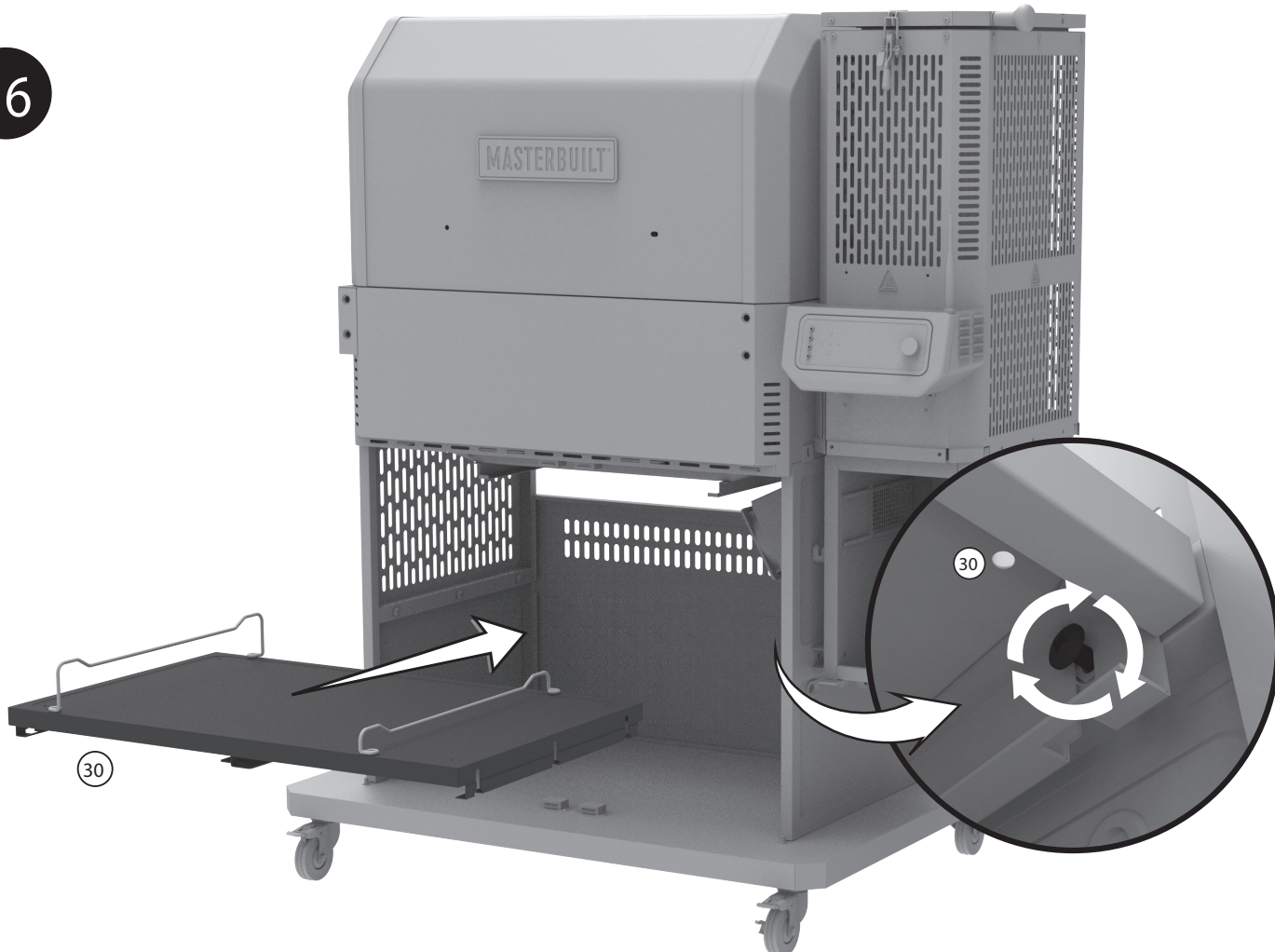
A
X6

B
X4

F
X2

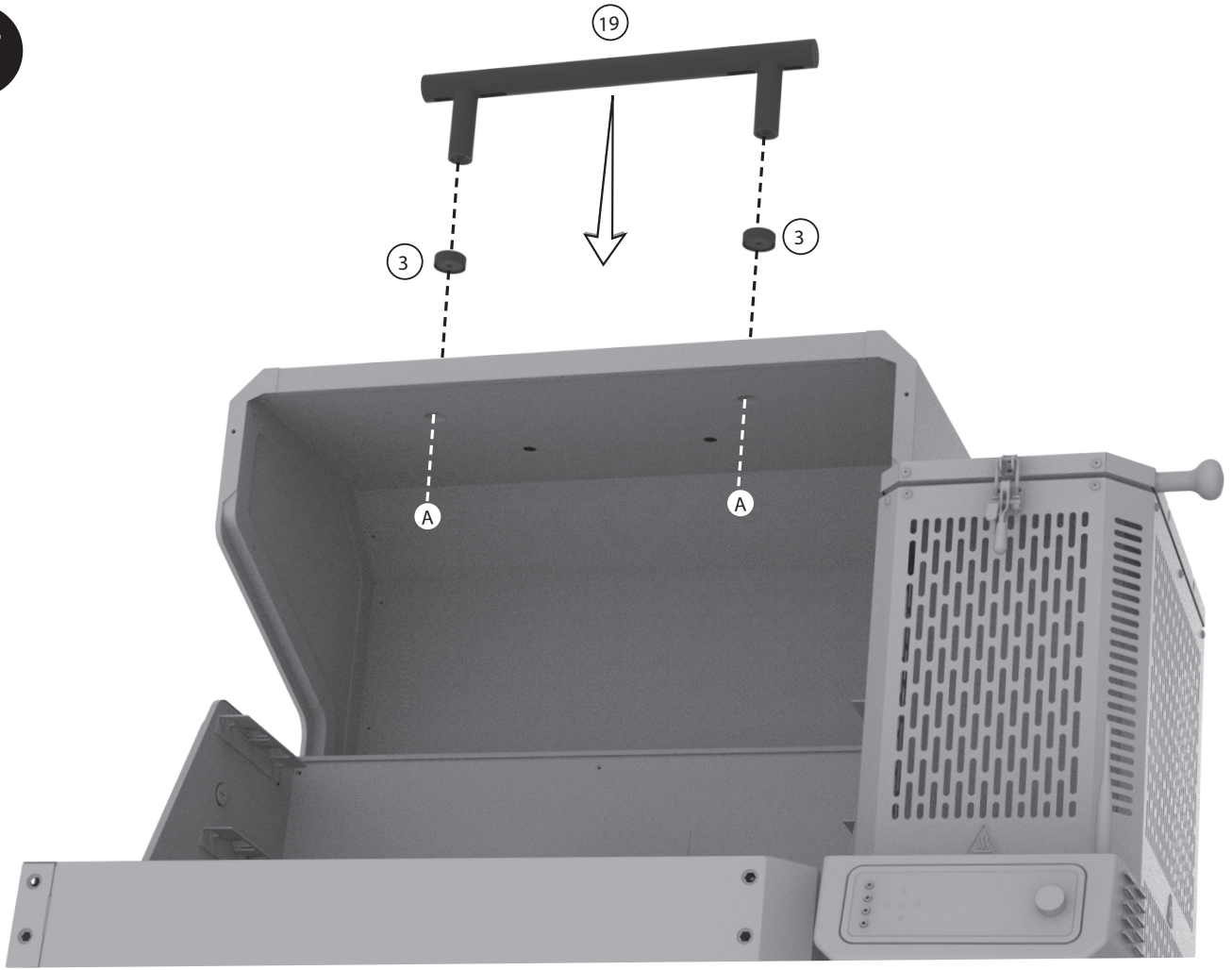


16



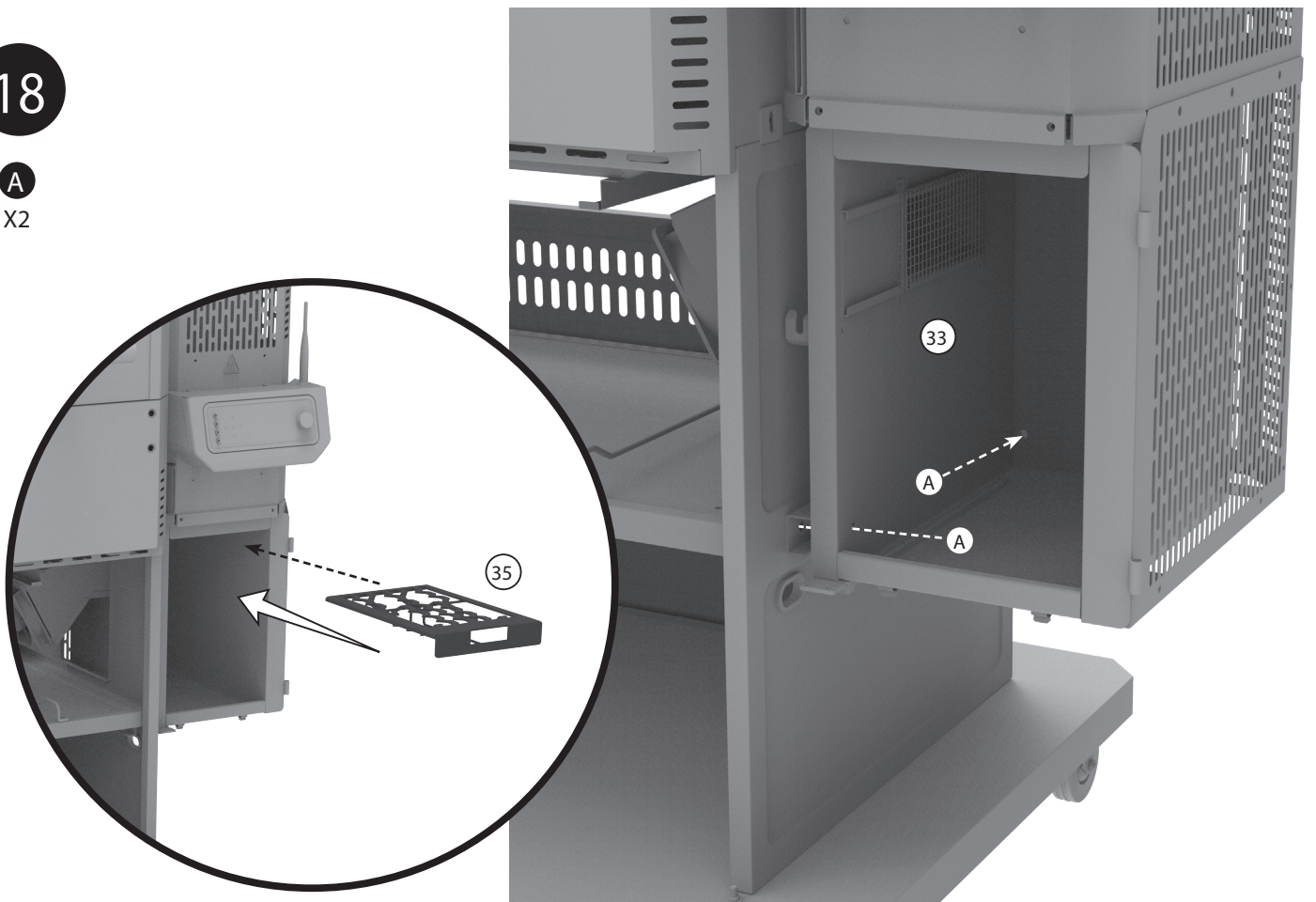
17

A
X2

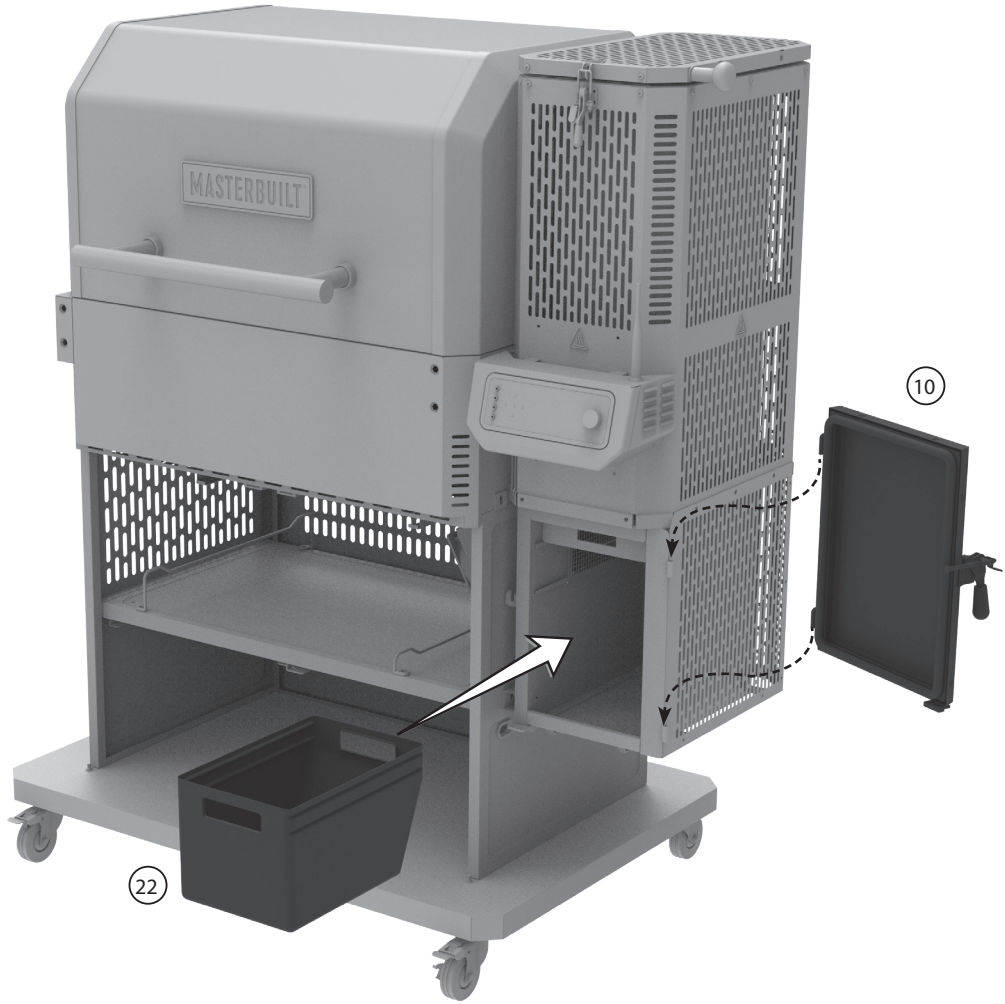


18

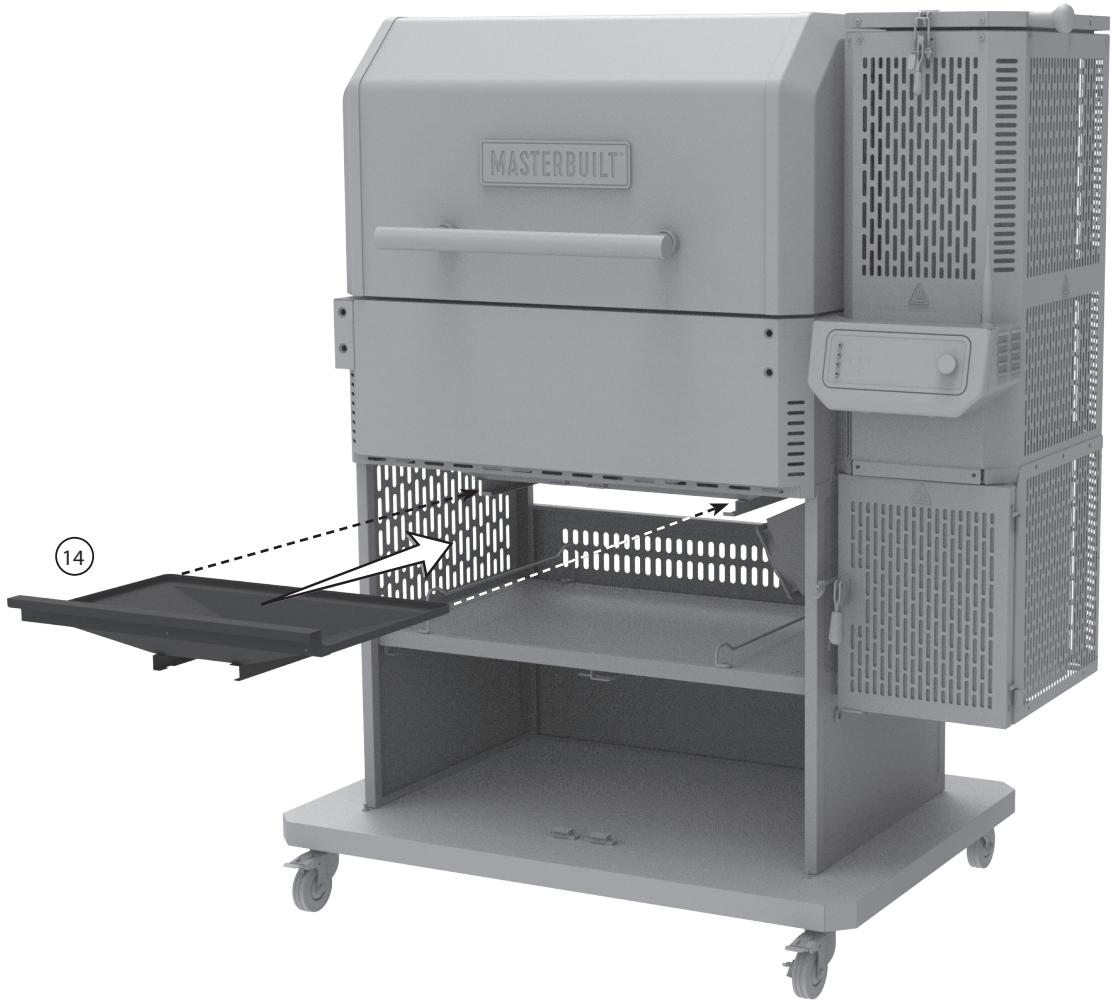
A
X2



19



20

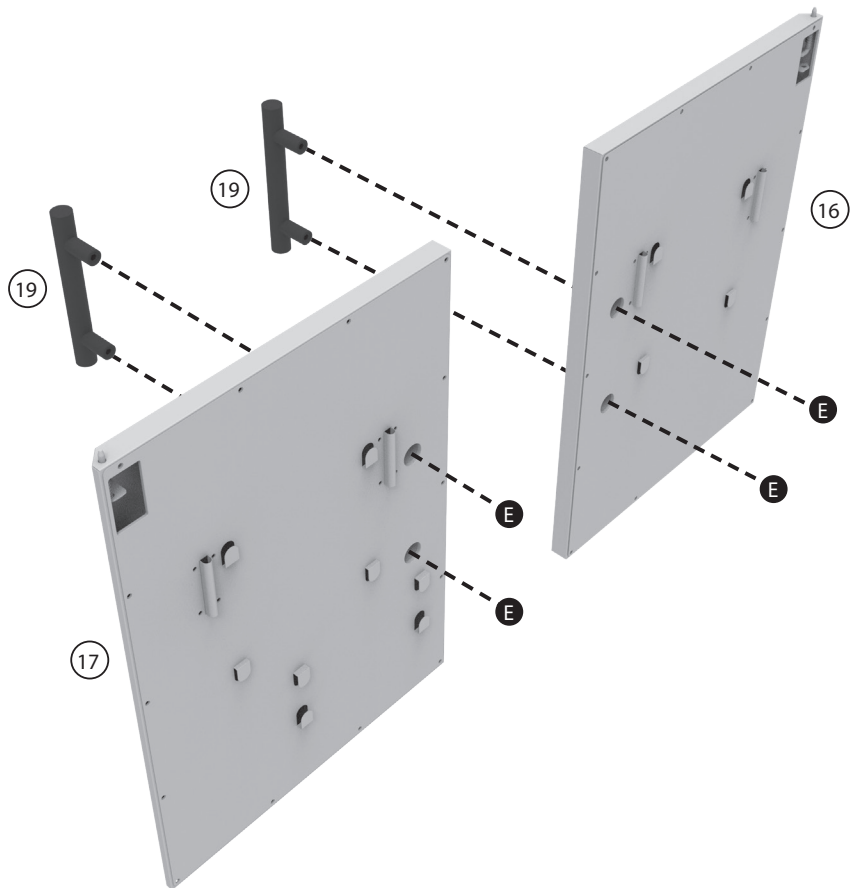


21

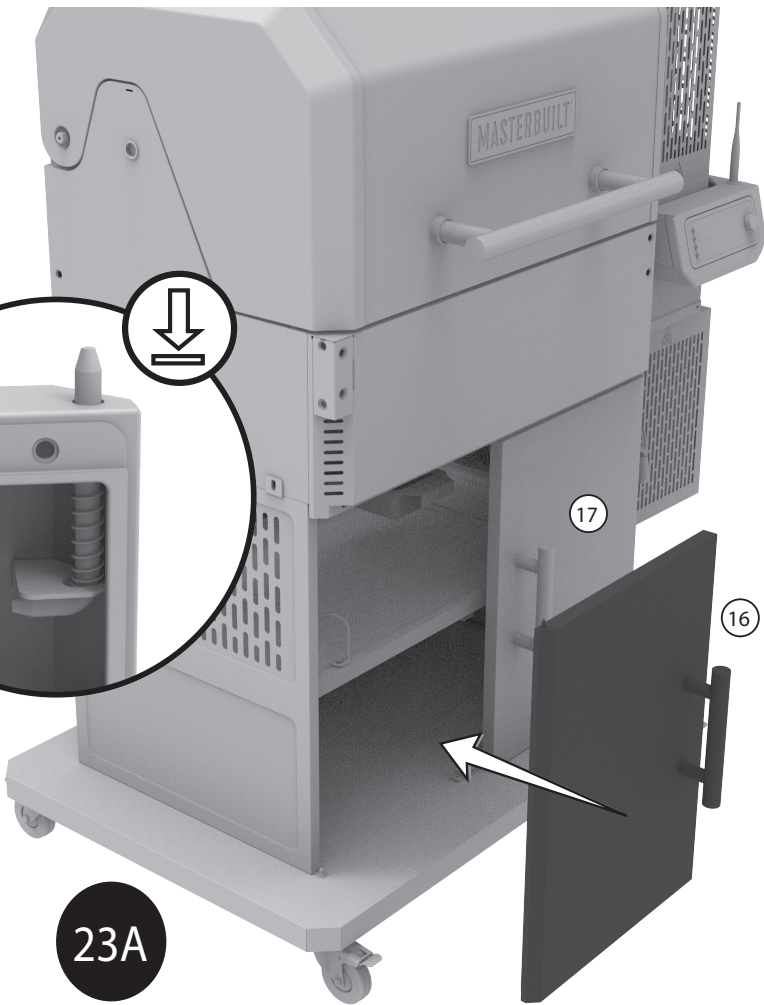
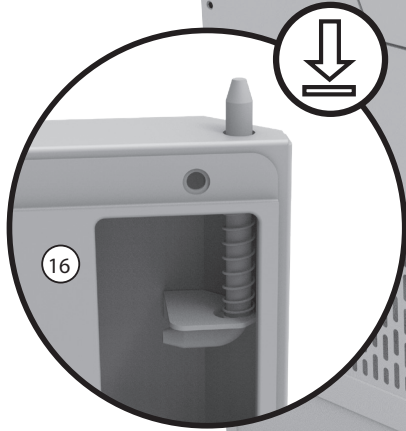


22

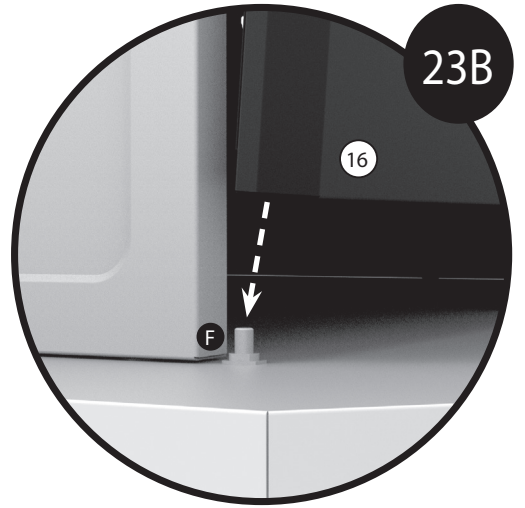
E
X4



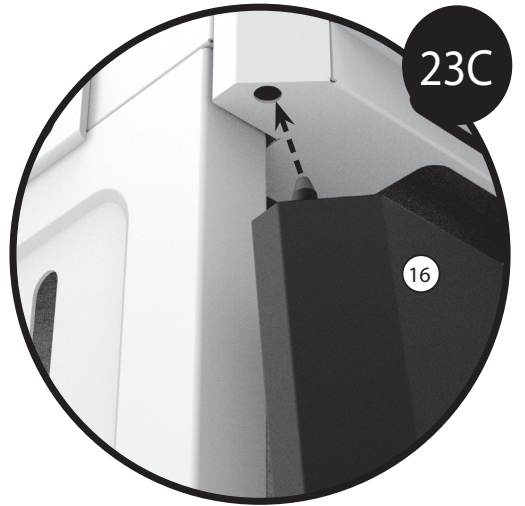
23



23A



23B

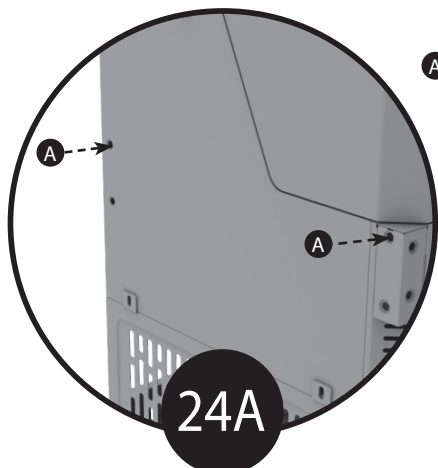
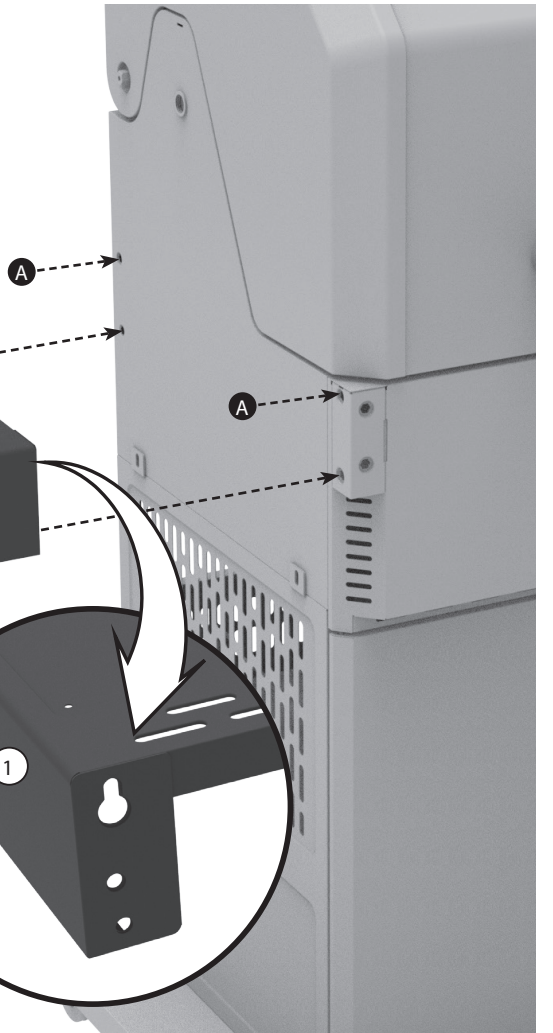
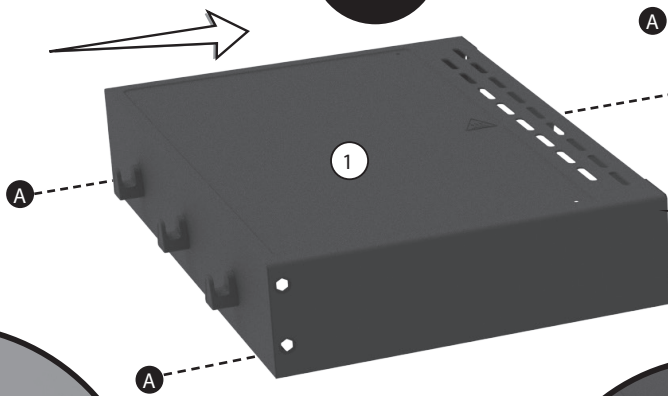


23C

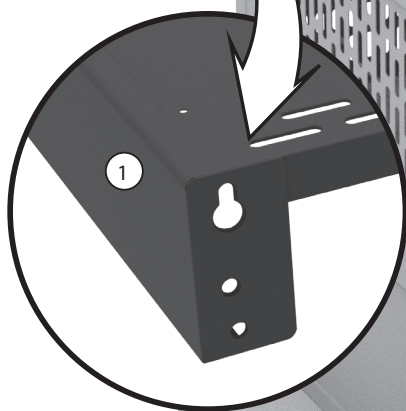
24

A
X4

24B

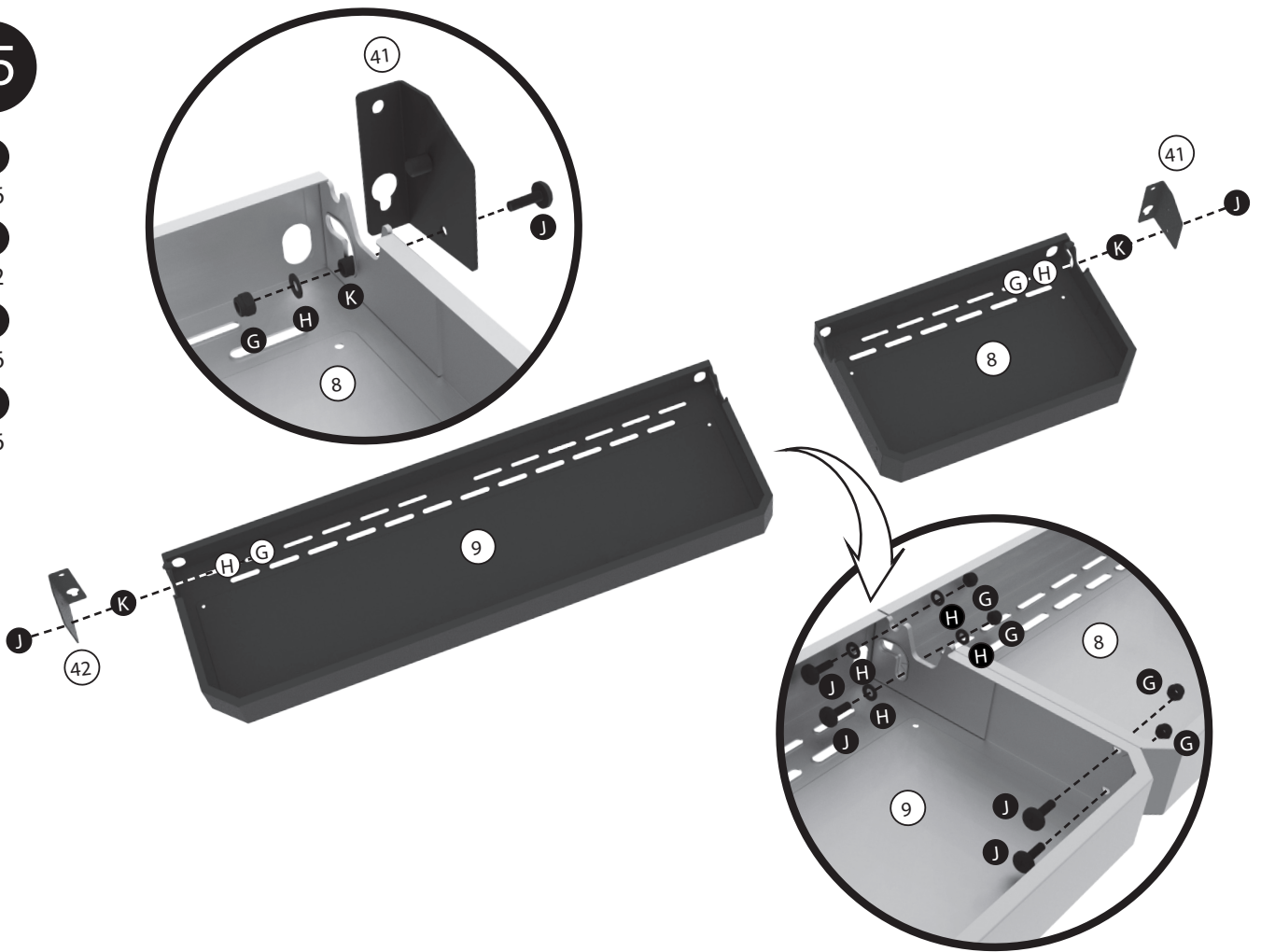


24A



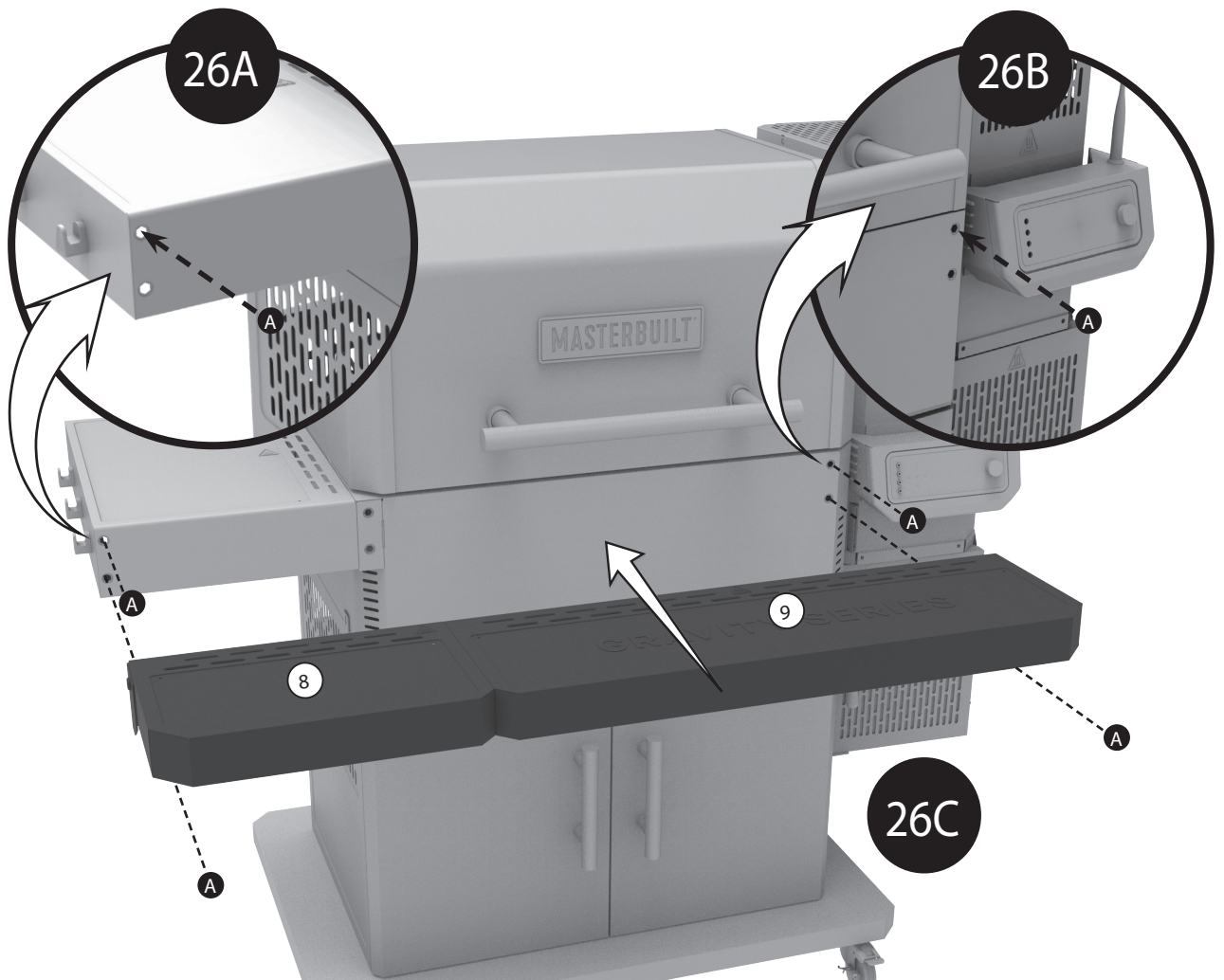
25

- J X6
- K X2
- H X6
- G X6



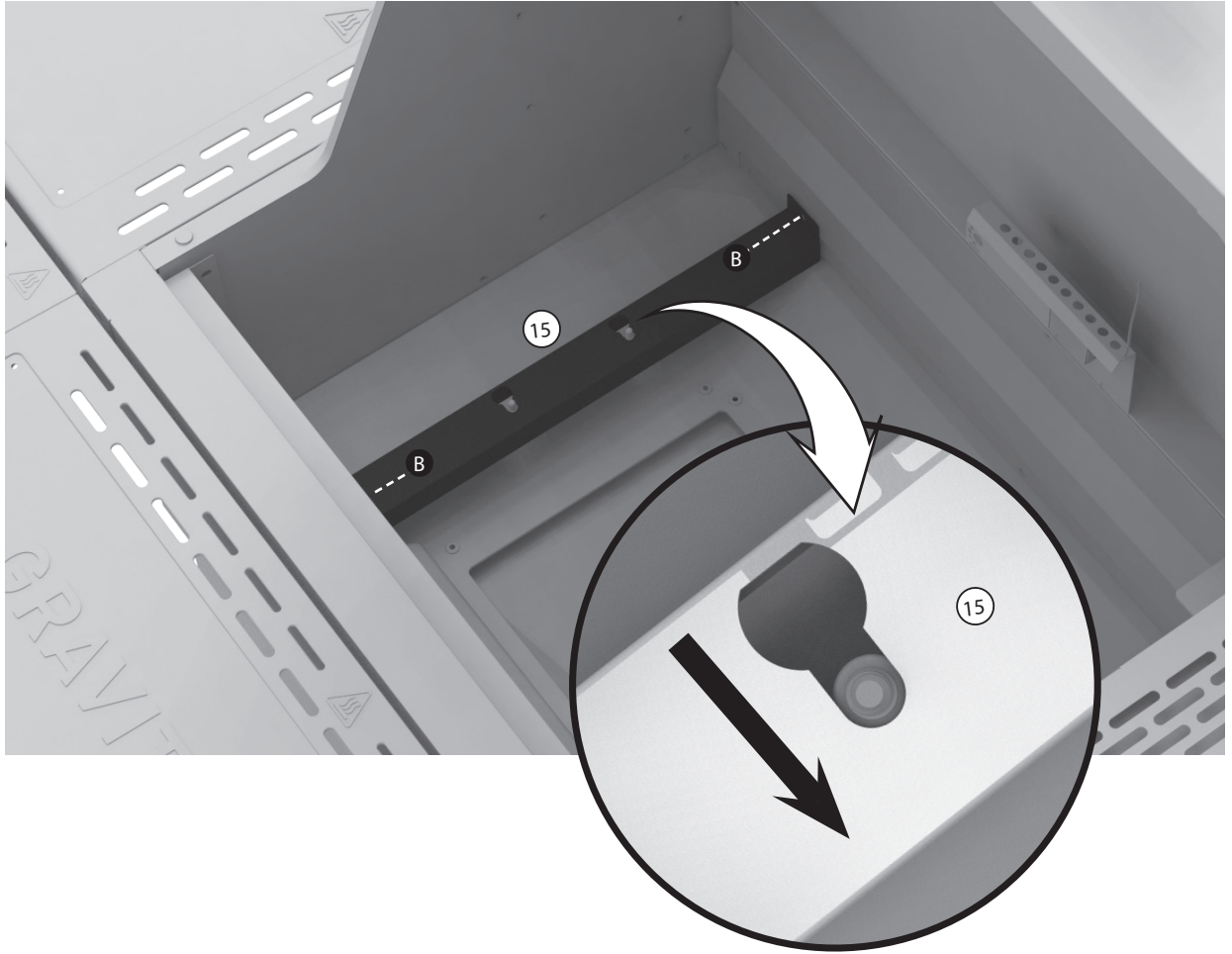
26

- A X4



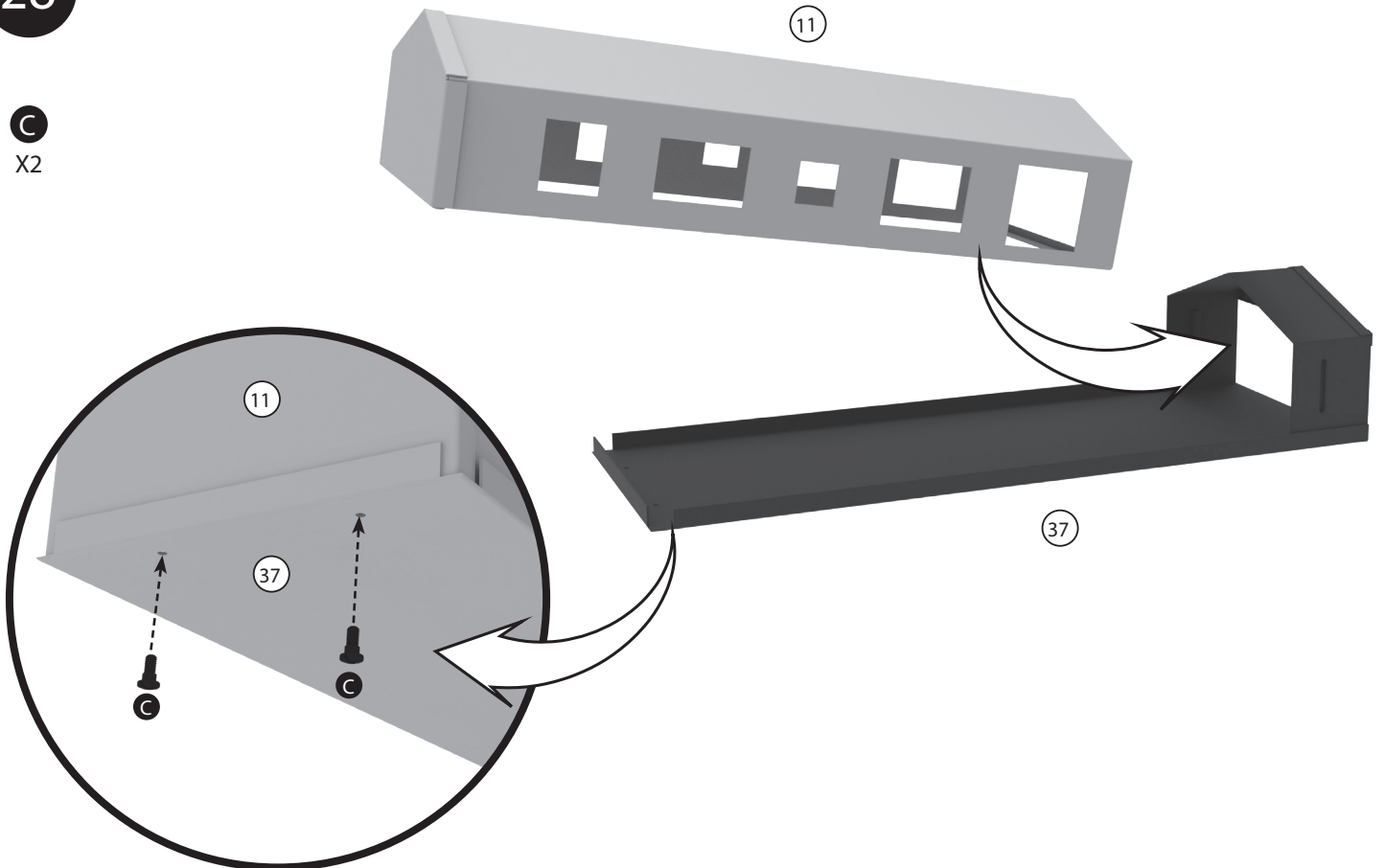
27

B
X2

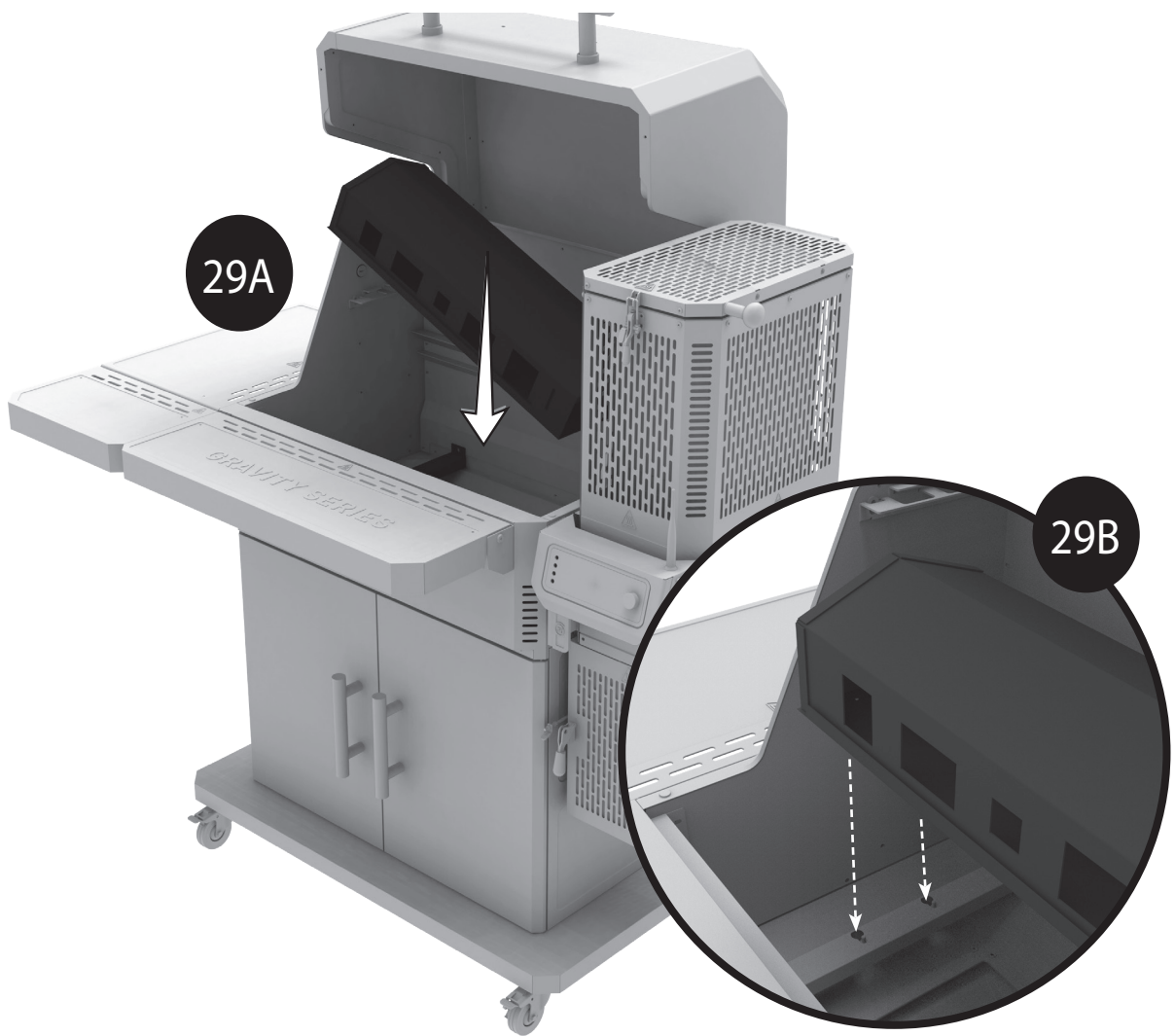


28

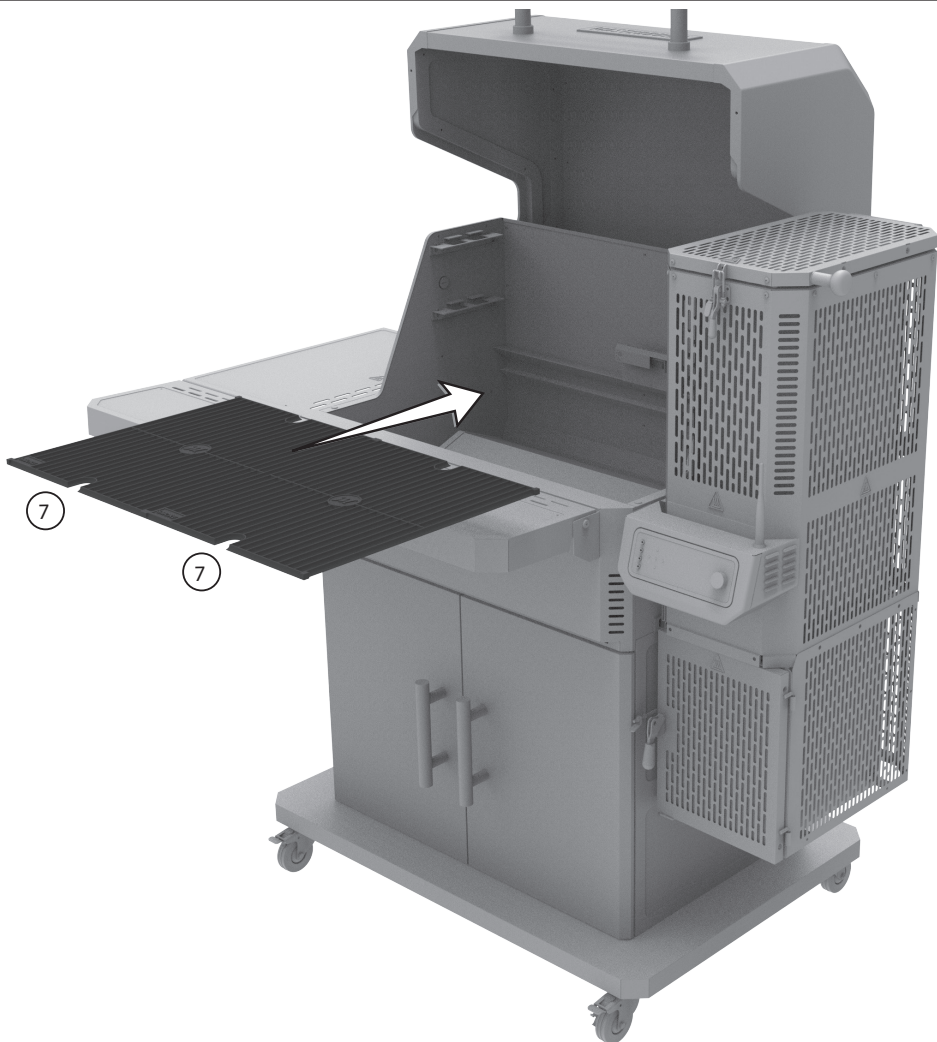
C
X2



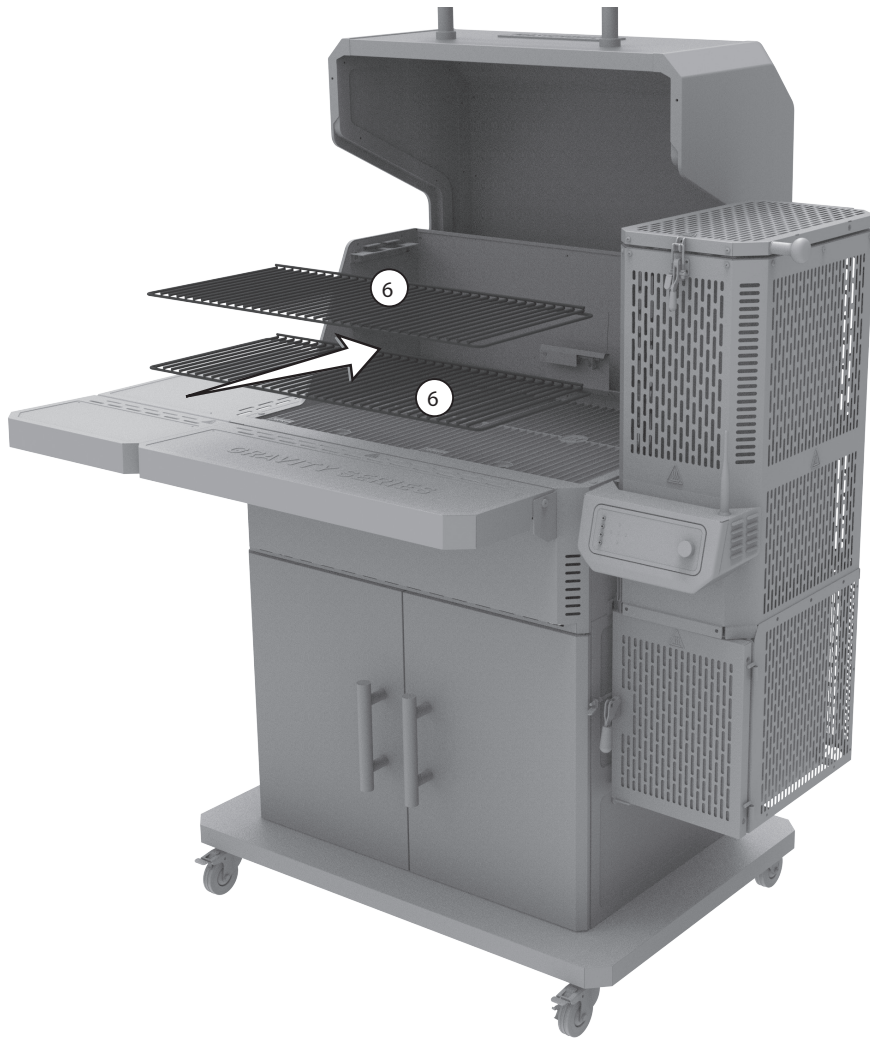
29



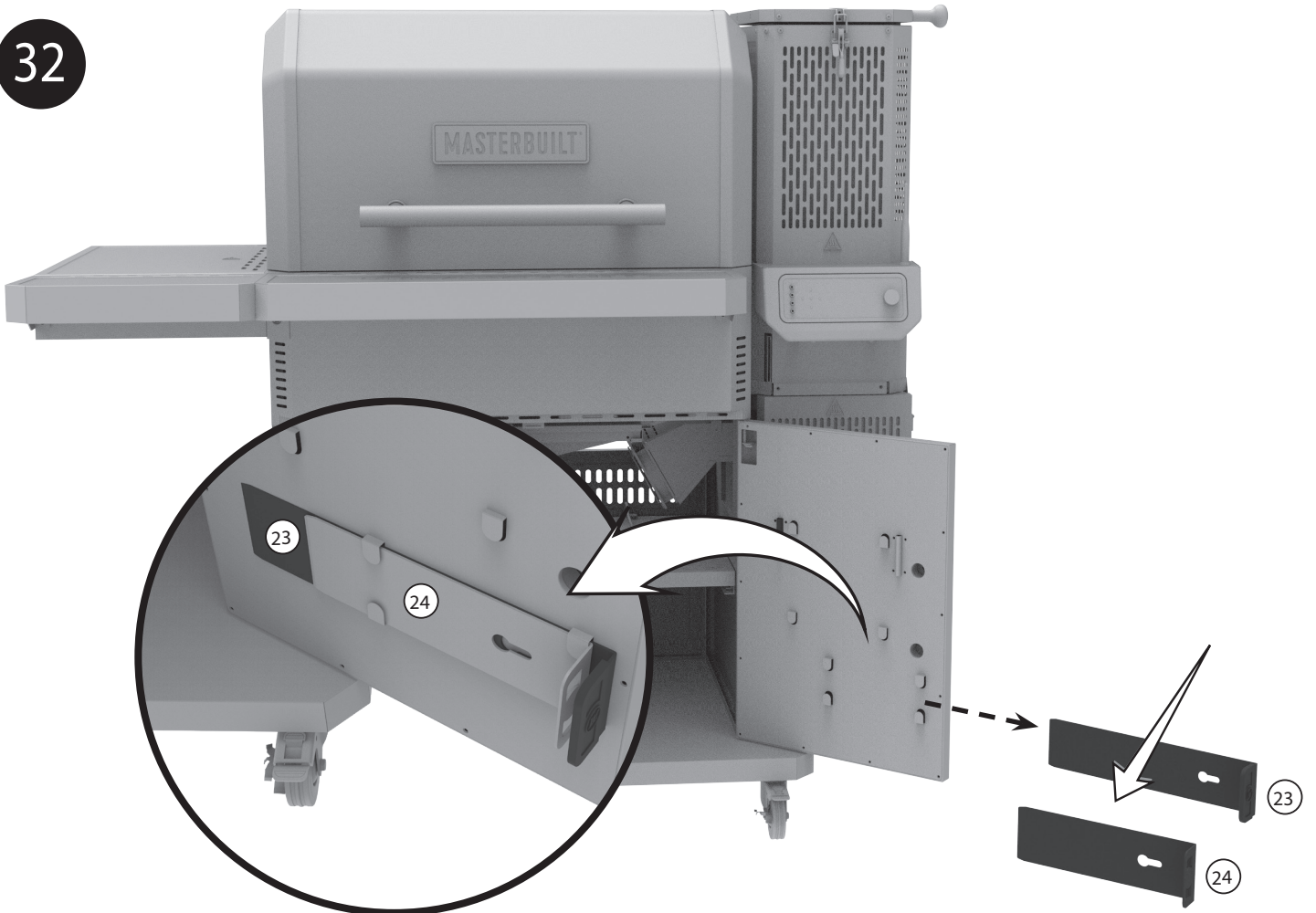
30



31



32



33



34



FOR OUTDOOR USE ONLY. NOT FOR COMMERCIAL USE.



WARNING



- This manual contains important information necessary for the proper assembly and safe use of the appliance.
- Read and follow all warnings and instructions before assembling and using the appliance.
- Keep this manual for future reference.



WARNING



- WARNING:** This product can expose you to chemicals including DINP, which is known to the State of California to cause cancer, and carbon monoxide, which is known to the State of California to cause birth defects and other reproductive harm. For more information go to www.P65Warnings.ca.gov



CARBON MONOXIDE HAZARD



Failure to follow these instructions could result in fire, explosion or burn hazard which could cause property damage, personal injury, or death.

- Burning wood chips, wood chunks, wood pellets, charcoal and propane gives off carbon monoxide, which has no odor and can cause death.
- DO NOT burn wood chips, wood chunks, wood pellets, charcoal or propane inside homes, vehicles, tents, garages or any enclosed areas.
- Do not use the barbecue in a confined and/or habitable space e.g. houses, tents, caravans, motor homes, boats. Danger of carbon monoxide poisoning fatality.
- USE ONLY OUTDOORS where it is well ventilated.
- **FOLLOW THESE GUIDELINES TO PREVENT THIS COLORLESS, ODORLESS GAS FROM POISONING YOU, YOUR FAMILY OR OTHERS.**
 - Know the symptoms of carbon monoxide poisoning: headache, dizziness, weakness, nausea, vomiting, sleepiness, and confusion. Carbon monoxide reduces the blood's ability to carry oxygen. Low blood oxygen levels can result in loss of consciousness and death.
 - See a doctor if you or others develop cold or flu-like symptoms while cooking or in the vicinity of this appliance. Carbon monoxide poisoning, which can easily be mistaken for a cold or flu, is often detected too late.
 - Alcohol consumption and drug use increase the effects of carbon monoxide poisoning.
 - *Carbon monoxide is especially toxic to mother and child during pregnancy, infants, the elderly, smokers, and people with blood or circulatory system problems, such as anemia, or heart disease.*



WARNINGS AND IMPORTANT SAFEGUARDS



READ ALL INSTRUCTIONS

- Do not leave grill unattended.
- Grill is for OUTDOOR HOUSEHOLD USE ONLY.
- Do not use indoors!
- Use charcoal for fuel only.
- Always use grill in accordance with all applicable local, state, and federal fire codes.
- Potential damage to grill or harm to user may result from failure to follow warnings.
- Never use inside enclosed areas such as patios, garages, buildings or tents.
- Never use inside recreational vehicles or on boats.
- Never operate grill under overhead construction such as roof coverings, carports, awnings, or overhangs. (SEE STRUCTURAL PROXIMITY REQUIREMENTS)
- Keep appliance clear and free from combustible materials such as gasoline and other flammable vapors and liquids.
- Use grill on a level, non-combustible, stable surface such as dirt, concrete, brick or rock. An asphalt surface (blacktop) may not be acceptable for this purpose.
- Do not use grill on wooden or flammable surfaces.
- Grill MUST be on the ground. Do not place grill on tables or counters. DO NOT move grill across uneven surfaces.
- Grill should only be rolled on smooth surface.
- Grill should never be rolled up/down stairs or uneven surface.
- Never use grill as a heater (READ CARBON MONOXIDE HAZARD).



WARNINGS AND IMPORTANT SAFEGUARDS



- Never use appliance for anything other than its intended use. This grill is NOT for commercial use.
- Keep a fire extinguisher accessible at all times while operating the grill.
- When cooking with oil or grease, have a type BC or ABC fire extinguisher readily available.
- In the event of an oil or grease fire do not attempt to extinguish with water. Immediately call the fire department. A type BC or ABC fire extinguisher may, in some circumstances, contain the fire.
- Before each use check all nuts, screws and bolts to make sure they are tight and secure.
- Use of alcohol, prescription, or non-prescription drugs may impair user's ability to properly assemble or safely operate grill.
- Keep children and pets away from grill at all times. Do NOT allow children to use grill. Close supervision is necessary when children or pets are in the area where grill is being used.
- The appliance is not to be used by persons (including children) with reduced physical, sensory or mental capabilities, or lack of experience and knowledge, unless they have been given supervision or instruction.
- The appliance is not to be used by children aged from 8 years and above and persons with reduced physical, sensory or mental capabilities, or lack of experience and knowledge, unless they have been given supervision or instruction.
- Do NOT allow anyone to conduct activities around grill during or following its use until it has cooled.
- DO NOT bump or impact the grill to prevent personal harm, damage to grill, or spillage/splashing of hot cooking liquid.
- Extreme caution must be used when moving an appliance containing hot oil or other hot liquids.
- Never move grill when in use. Allow grill to cool completely (below 45°C (115°F)) before moving or storing.
- The grill is HOT while in use and will remain HOT for a period of time afterwards and during cooling process. Use CAUTION. Wear protective gloves/mitts.
- Do not touch HOT surfaces. Use handles or knobs.
- Never use glass, plastic or ceramic cookware in smoker. Never place empty cookware in grill while in use.
- Accessory attachments not supplied by Masterbuilt® are NOT recommended and may cause injury.
- Do not store grill with hot ashes or charcoal inside grill/hopper. Store only when fire is completely out and all surfaces are cold.
- The grill and hopper heat shields are HOT while in use and will remain HOT for a period of time afterwards and during cooling process. Use CAUTION. Wear protective gloves/mitts.
- Be careful when removing food from grill. All surfaces are HOT and may cause burns. Use protective gloves/mitts or long, sturdy, cooking tools for protection from hot surfaces or splatter from cooking liquids.
- Grill is hot during use. To avoid burns, keep face and body away from door(s) and vents. Steam and hot air are expelled during use.
- Hopper heat shield, hopper lid and latch, hopper ash door and latch are HOT while the grill is in use and during cooling. Wear protective gloves when working with and around these components.
- Grill has an open flame. Keep hands, hair, and face away from flame. Do NOT lean over grill when lighting. Loose hair and clothing may catch fire.
- DO NOT obstruct flow of combustion and ventilation.
- Do not cover cooking grates with metal foil. This will trap heat and may cause damage to the grill.
- Never leave HOT coals or ashes unattended.
- Do not remove ashes while ashes and charcoal are HOT.
- Keep hands, hair, and face away from the burning charcoal. Be careful of loose hair and clothing during operation as they could catch fire.
- Use protective gloves when handling this grill or working with fire. Use protective gloves or long, sturdy fireplace tools when adding wood or charcoal.
- Never use charcoal lighting fluid, gasoline, alcohol or other highly volatile fluids to ignite charcoal. These fluids can explode causing injury or death. Always follow specific lighting instructions for this grill.
- Never overfill charcoal hopper. This can cause serious injury as well as damage to the grill.
- Dispose of cold ashes by placing them in aluminum foil, soaking with water, and discarding in a non-combustible container.
- CAUTION - To reduce the risk of electric shock, keep extension cord connection dry and off the ground.
- CAUTION - To reduce the risk of electric shock, do not immerse cord, plug or control panel in water or other liquid.
- WARNING: Risk of Electric Shock. Install only to a covered Class A GFCI receptacle that has an enclosure that is weatherproof with the attachment plug cap inserted or removed.
- Grill must only be used with an outdoor rated, weatherproof, covered socket.
- WARNING: Not for use with receptacles that are weatherproof only when the receptacle is covered (attachment plug cap not inserted and receptacle cover closed).
- When using electrical appliances, basic safety precautions should always be followed including the following:
 1. Do not plug in the appliance until fully assembled and ready for use.
 2. Use only approved grounded electrical outlet.
 3. Do not use during an electrical storm.
 4. Do not expose appliance to rain or water at any time.
- Outdoor extension cords must be used that are marked with suffix "W" and with the statement "Suitable for Use with Outdoor Appliances."
- The extension cord must be a grounding-type 3-wire cord.



WARNINGS AND IMPORTANT SAFEGUARDS



- Do not operate any appliance with a damaged cord or plug, or after appliance malfunctions or has been damaged in any manner. If the supply cord is damaged, it must be replaced by the manufacturer, its service agent or similarly qualified persons in order to avoid hazard.
- Extension cords may be used if care is exercised in their use.
- If an extension cord is used, be sure that:
 1. The marked electrical rating of the extension cord should be at least as great as the electrical rating of the appliance; and
 2. The cord should be arranged so that it will not drape over the counter top or tabletop where it can be pulled by children or tripped over unintentionally.
- Do not let cord hang on or touch hot surfaces.
- Do not place cord on or near a gas or electric burner or in a heated oven.
- To disconnect, turn controller "OFF" then remove plug from outlet.
- Unplug from outlet when not in use and before cleaning. Allow appliance to cool completely before adding/removing internal components.
- Do not clean this product with a water sprayer or the like.
- Never open hopper after initial startup or during use. If it is necessary to refill charcoal during use follow the specific reload instructions for this grill and always wear protective gloves.
- Never operate the grill with the temperature probe removed. This can cause the grill to overheat and cause serious personal injury and/or damage to the grill.
- Close heat and air intake slides after every use
- Open heat and air intake slides before every use
- Never operate the grill with the heat and air intake slides in the closed position. This can damage the grill.
- This device complies with Industry Canada licence-exempt RSS standard(s). Operation is subject to the following two conditions:
 1. This device may not cause interference, and
 2. This device must accept any interference, including interference that may cause undesired operation of the device.
- This equipment complies with IC radiation exposure limits set forth for an uncontrolled environment. This equipment should be installed and operated with minimum distance 20 cm between the radiator & your body.



ELECTRIC REQUIREMENTS



- Power Supply (US/CA/MEX): 100-240VAC, 50/60HZ, 0.5A, 18W
- Power Supply (EU/UK): 100-240VAC, 50/60HZ, 0.5A, 18W
- Power Supply (AUS/NZ): 100-240VAC, 50/60HZ, 0.6A, 24W
- Product: 12V, 1.5A



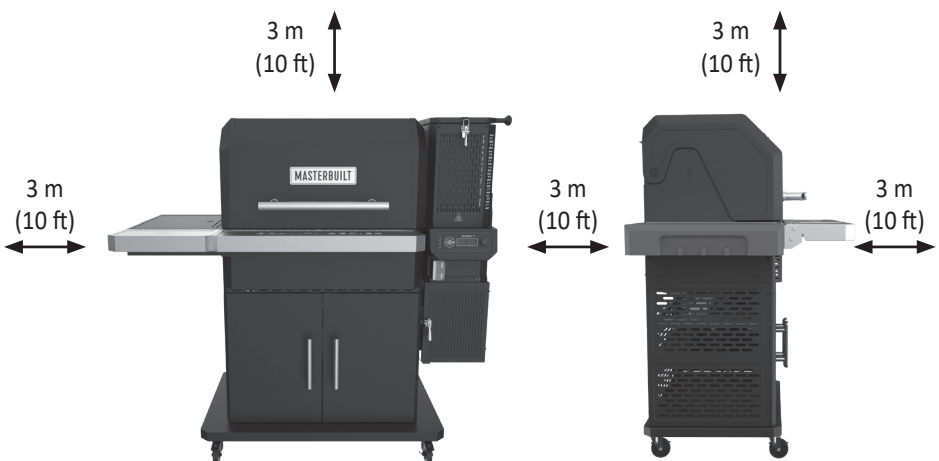
STRUCTURAL PROXIMITY REQUIREMENTS



Maintain a minimum distance of 3m (10 ft) from rear, sides and top of grill to all overhead construction, walls, rails or other combustible construction materials.

Maintain a minimum distance of 3m (10 ft) from all combustible and flammable materials such as, wood, plants, grass, brush, paper, gasoline, or canvas.

This clearance provides adequate space for proper combustion, air circulation and venting. Grill should not be used on combustible materials like wood decks or other combustible materials.



NOTE:

See the Built In Guide for minimum clearances between grill and any non-combustible side or rear walls.



WARNING



Electric power cord is a trip hazard.

SAVE THESE INSTRUCTIONS

This product does not come with charcoal or wood chunks.

Controller

CONTROL PANEL



Power ON/Off/Pause Controller:

1. Press button to power controller ON.
2. Single press while on = PAUSE FUNCTION
3. Long press while on = Power OFF



Pause Function:

The grill is equipped with a PAUSE function to better help maintain set temperatures when the lid is opened.

- When cooking at temperatures over 260°C (500°F) ensure the PAUSE function is enabled BEFORE opening your grill lid.
- The pause function will stop the fan to ensure there is not a spike in temperature when opening the lid.
- To engage the PAUSE function, press the power button (the controller will display HOLD).
- To resume to normal temperature maintenance and to reactivate the fan, press the power button again.



Set Temperature:

1. Press button.
2. Turn knob to desired temperature.
3. Press button again to set temperature
(Temperature will automatically set after 3 seconds.)

Set Temperature From F° to C° :

1. With power off, hold set temp button
2. Press power button
3. Unit powers up with "F" or "C" flashing on display
4. Use knob to select temp unit
5. Press set temp to confirm



Set Time:

• Countdown Timer

1. Press button.
2. Turn knob to desired hours.
3. Press button to set hours.
4. Turn knob to desired minutes.
5. Press button to set minutes. The timer will start.
6. Press button to pause and resume timer.
7. Press and hold button to reset timer.

• Count Up Timer

1. Press and hold button.
2. Timer will begin counting up from 00:00. Timer will count by Minutes:Seconds and then Hours:Minutes.
3. Press button to pause and resume timer.
4. Press and hold button to reset timer.



Set Meat Probe Temperatures:

1. Press button and turn knob to select meat probe (MP1, MP2, MP3, MP4). Press button again.
2. Press temperature button.
3. Turn knob to desired temperature.
4. Press temperature button again to set the temperature.

(If meat probe reaches 300°F, an alarm will sound and the meat probe must be removed from heat and given time to cool. Meat probe will be damaged if left at this temperature.)

* NOTE: Meat probe icon will flash while in setting mode.

5. Once set temperature is reached, alarm will sound. Press any button to clear.

Viewing Information on Display:

- Turning the knob will advance the display through grill temperature, timer and meat probes; MP1, MP2, MP3 and MP4.



Controller

CONNECTIVITY



1. Download the Masterbuilt app from the Apple App Store or Google Play Store onto your smart device(s). For more information go to masterbuilt.com/pages/app-device-requirements.
2. Once the download is complete, open the Masterbuilt app and follow the instruction for pairing your grill and smart device(s).

This device complies with Part 15 of the FCC Rules. Operation is subject to the following two conditions:

1. This device may not cause harmful interference, and
2. This device must accept any interference received, including interference that may cause undesired operation.

FCC Warning:

Warning: Changes or modifications to this smoker not expressly approved by the party responsible for compliance could void the user's authority to operate the equipment.

FCC Statement:

This equipment has been tested and found to comply with the limits for a Class B digital device, pursuant to Part 15 of the FCC Rules. These limits are designed to provide reasonable protection against harmful interference in a residential installation. This equipment generates, uses and can radiate radio frequency energy and if not installed and used in accordance with the instructions, may cause harmful interference to radio communications.

However, there is no guarantee that interference will not occur in a particular installation. If this equipment does cause harmful interference to radio or television reception, which can be determined by turning the equipment off and on, the user is encouraged to try to correct the interference by one or more of the following measures:

1. Reorient or relocate the receiving antenna.
2. Increase the separation between the equipment and receiver.
3. Connect the equipment into an outlet on a circuit different from that to which the receiver is connected.
4. Consult the dealer or an experienced radio/TV technician for help.

Note: If you lose connection, smoker will continue as programmed. Smoker can be operated from the control panel if pairing or connection fails.

This device contains license-exempt transmitter(s)/receiver(s) that comply with Innovation, Science, and Economic Development Canada's license-exempt RSS(s). Operation is subject to the following two conditions:

- 1) This device may not cause interference.
- 2) This device must accept any interference, including interference that may cause undesired operation of the device.

This equipment must be installed and operated in accordance with provided instructions and the antenna(s) used for this transmitter must be installed to provide a separation distance of at least 20 cm from all persons and must not be co-located or operating in conjunction with any other antenna or transmitter. End-users and installers must be provided with antenna installation instructions and transmitter operating conditions for satisfying RF exposure compliance.

IC Warning:

This transmitter must not be co-located or operating in conjunction with any other antenna or transmitter. This equipment should be installed and operated with a minimum distance of 20 centimeters between the radiator and your body.

Wireless Transmitter:

Transmitter and WiFi Characteristics = RF OdBM/2412-2484 MHz

Operating Instructions

PRE-SEASONING

Pre-seasoning will rid your grill of chemicals and oils left over by the manufacturing process, allowing them to burn off.
PRE-SEASON GRILL PRIOR TO FIRST USE.

1. Fill the hopper with charcoal approximately 1/4–1/2 full.
2. Start grill following the START-UP instructions and set the temperature to 121°C (250°F) for 60 minutes.
3. Set the temperature to 204°C (400°F) for 30 minutes.
4. Shut down the grill following the SHUTDOWN instructions.
5. Allow grill to cool COMPLETELY.
6. Repeat steps 3–6 at 177°C (350°F)

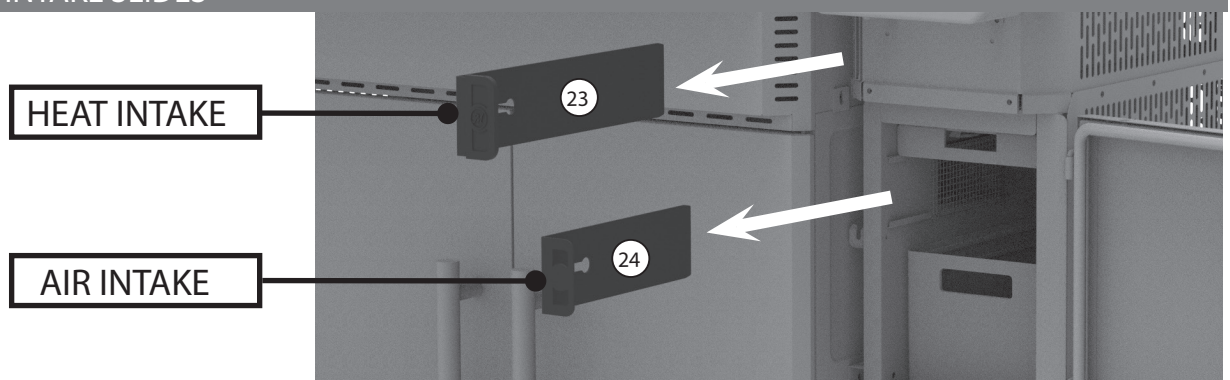
Frequent seasoning prevents rusting. If rusting occurs, clean with a steel brush, apply vegetable shortening and heat as indicated above.

START-UP

1. REMOVE heat and air intake slides.
2. Open hopper lid and hopper ash door.
 - There is a safety switch at each of these doors that will prevent the fan from running when these doors are opened.
 - If charcoal remains from a previous cook, shake the charcoal grate to ensure all ash falls through to the ash tray.
 - Discard any ash from the ash tray.
3. Fill hopper with charcoal.
 - Approximately 8 kgs. (18 lbs.) of charcoal briquettes.
 - Approximately 5.5 kgs. (12 lbs.) of lump charcoal.
 - **Never use fast light charcoal or lighting fluid.**
 - If charcoal slips through charcoal grate into ash can, remove before starting.
4. Place fire starter in charcoal grate, light fire starter, and wait 1-2 minutes to ensure fire starter catches fire.
 - Use a food safe fire starter block or twisted paper towel/paper.
 - Place in charcoal grate on the fire starter support bars.
 - Use caution and wear protective gloves.
 - Light with match stick or lighter.
5. Turn on controller and set to desired temperature.
 - Light the fire starter before setting temperature.
 - Wait 1–2 minutes after lighting fire starter to ensure fire starter is fully lit.
6. Wait for grill to reach desired set temperature.
 - Grill should preheat in approximately 15 minutes.



HEAT AND AIR INTAKE SLIDES



Operating Instructions

RELOAD

If it is necessary to refill the hopper while cooking, follow the safe reloading instructions below.

1. DO NOT refill charcoal when the grill is above 121°C (250°F).
2. Pause the fan before you open the hopper lid or ash door.
3. The fan will turn off when you open the hopper lid or ash door. This is a safety feature of the grill.
4. USE EXTREME CAUTION: When the hopper lid is opened the flame will rise from the top of the hopper like a torch. Closing the hopper lid and ash door will return the flame to the normal operating level.
5. Open hopper lid, use and wear protective gloves. Hopper lid will be hot.
6. Quickly add more charcoal into hopper. A flame will rise from hopper after a short time, we recommend you refill as quickly as possible.
7. Close hopper lid.

SMOKE FLAVOR

Mix wood chunks in the hopper with charcoal. NOTE: Never use more than 0.68 kg (1.5 lbs) of wood chunks throughout the hopper.

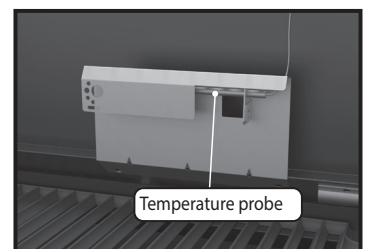
SHUTDOWN

1. Turn controller off and unplug grill.
2. Close grill lid, hopper lid and insert ash door slide and close ash door.
3. Close top heat and air intake slide.
 - The grill is designed to starve the charcoal of oxygen when shut down. This allows a percentage of unused charcoal to be saved for the next cook.
4. Failure to close slides when shutting down may cause damage to grill.
5. Always make sure grill is cool to the touch before cleaning, covering, and storing.

Cleaning and Care

In order to keep your grill in the best shape regular cleaning and maintenance is required. The best way to protect your grill from the elements is with a grill cover.

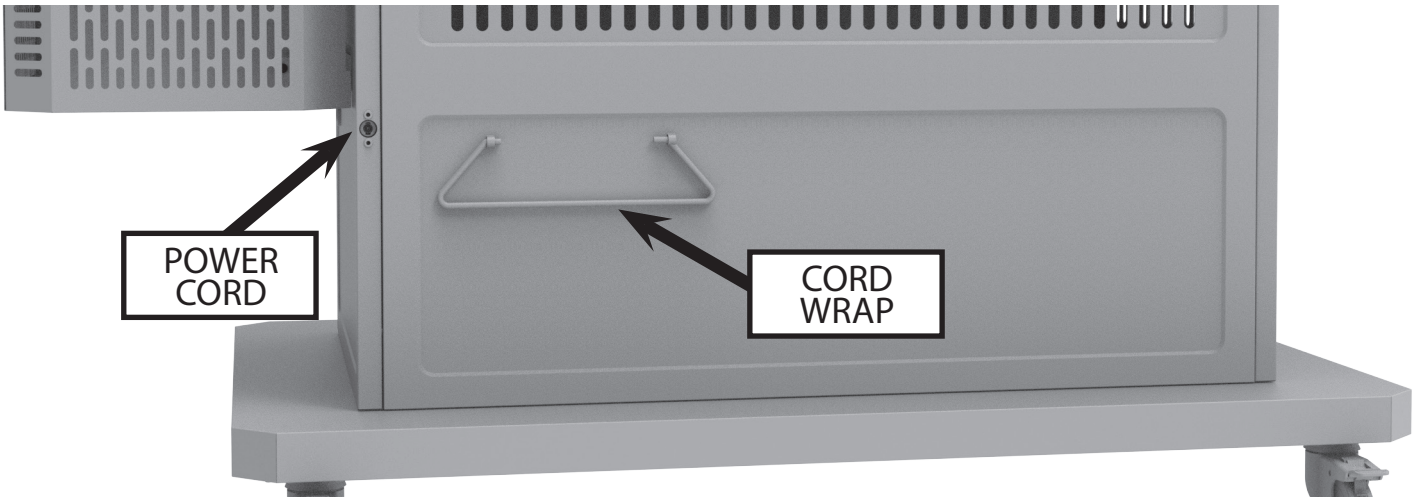
- ALWAYS MAKE SURE UNIT IS COOL TO THE TOUCH BEFORE CLEANING AND STORING.
- Inspect hardware and assembled parts on a regular basis to ensure grill is in safe working condition.
- Clean grill and cooking grates with mild dish detergent.
- Wipe outside of grill with a damp rag. DO NOT use oven cleaner or other cleaning agents. Make sure to dry thoroughly.
- Clean the temperature probe (pictured) periodically with mild dish detergent to ensure accurate grill temperature readings. Make sure to dry thoroughly.
- After ashes are cold, clean ash tray and inside of bottom hopper after every use to remove ash buildup, residue and dust.
- Always empty the ash tray after each use once ashes have completely cooled. This will help prolong the life of the ash tray.
- Dispose of cold ashes by placing them in aluminum foil, soaking with water and discarding in a non-combustible container.
- Always cover and store grill in a protected DRY AREA. Store only when fire is out and all surfaces are cold.
- Store meat probes inside the home.
- When grill is not in frequent use, even when using a grill cover, remember to check your grill periodically to avoid possible rust and corrosion due to moisture buildup



Adjustments and Tips

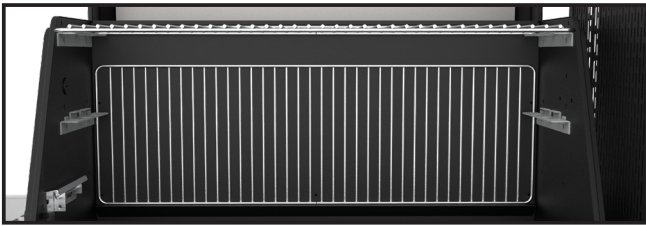
POWER CORD

The power cord plugs into the back of your grill.



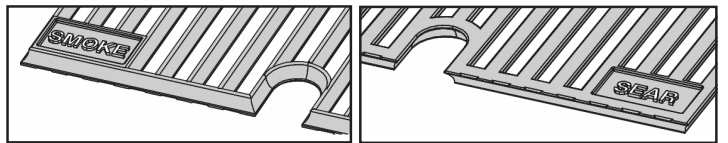
WARMING RACK STORAGE

The warming rack is designed to store behind the warming rack bracket. When not in use, a warming rack will fit behind the warming rack bracket.

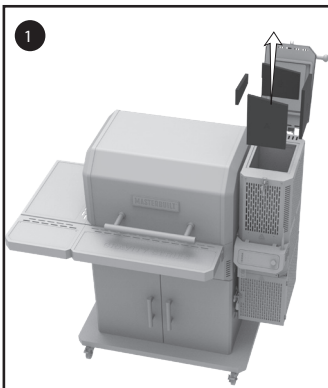


SMOKE + SEAR GRATES

Your grill features Smoke + Sear cast-iron cooking grates for low and slow smoking or high-heat searing. Simply flip the grates to the side that coincides with your method of cooking. Note: Never flip while grill is on or hot.

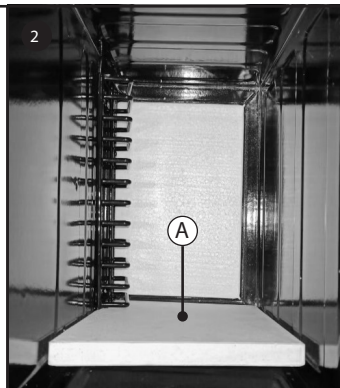


FIRE BRICK REPLACEMENT



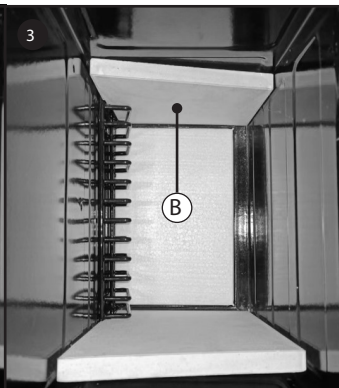
1

Remove all 4 firebricks from inside of the hopper.



2

Replace panel A.



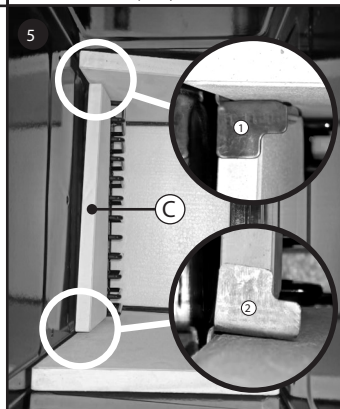
3

Replace panel B.



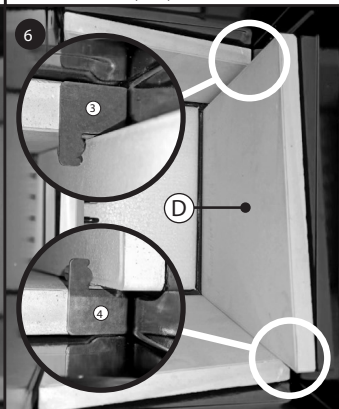
4

Replace panel C.



5

Add Bracket 1 and 2.



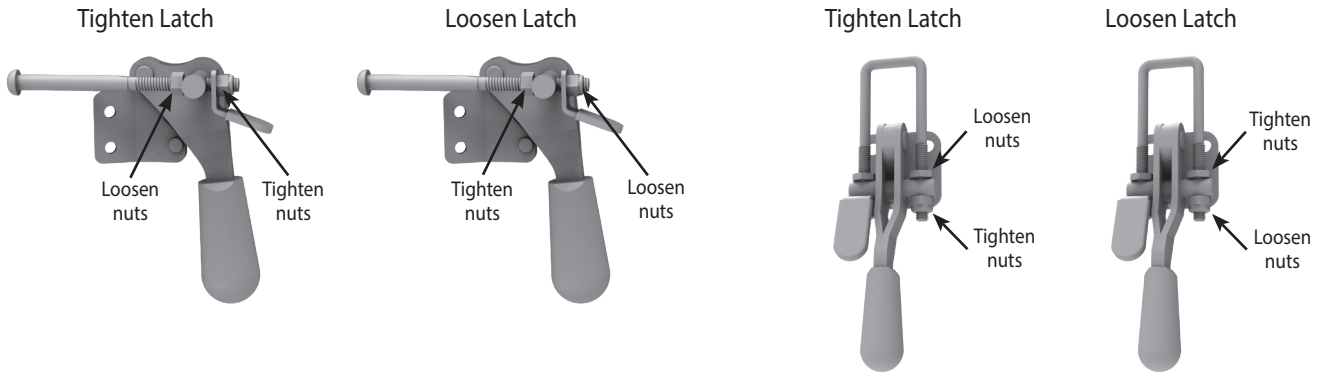
6

Replace panel D. Add bracket 3 and 4.

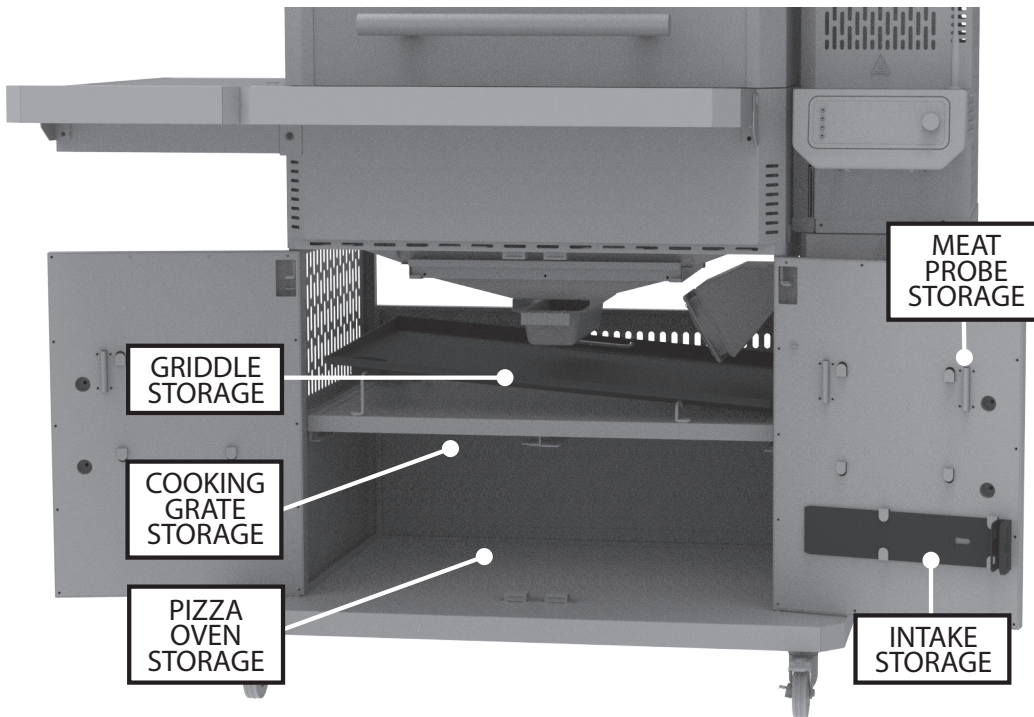
Adjustments and Tips

LATCH ADJUSTMENT

The hopper lid and door latches may require adjustment to ensure a proper seal and to prevent excessive smoke leakage. Loosen the latches slightly if they require excessive pressure to close. Tighten the latches slightly if there is excessive smoke leakage.



ACCESSORY STORAGE

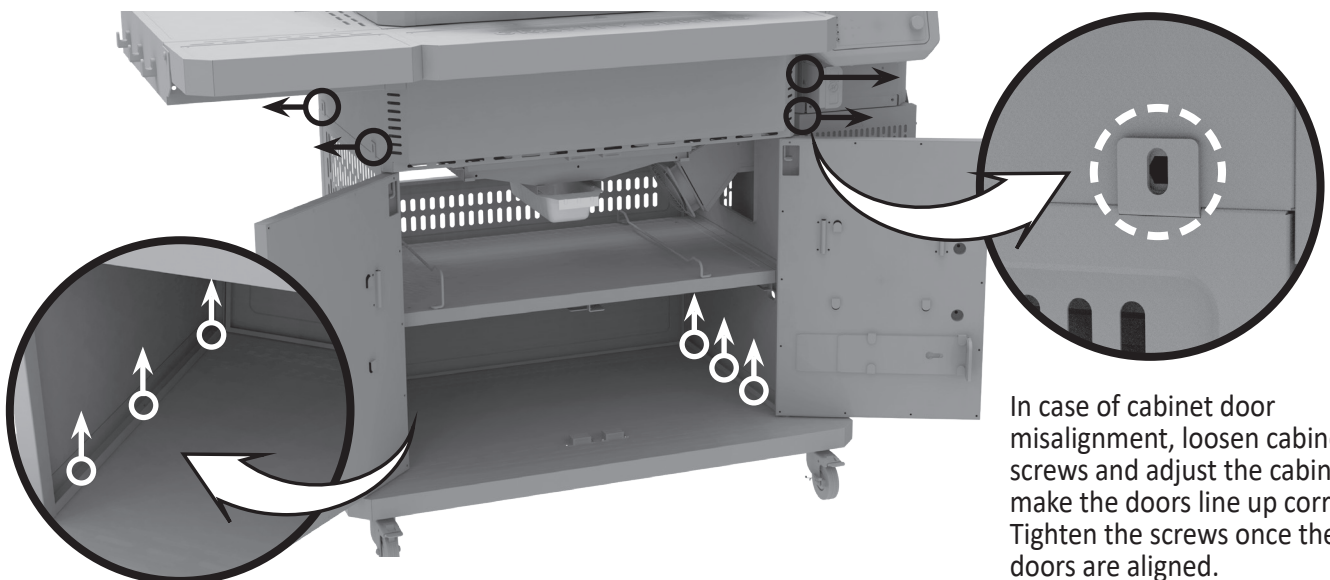


GRIDDLE AND PIZZA OVEN SOLD SEPARATELY.

NOTE:

WARNING! Do NOT store combustible materials under the grill or in the grill cabinet. Hot ash can reach the grill cabinet. Use caution.

CABINET DOOR ADJUSTMENT



In case of cabinet door misalignment, loosen cabinet screws and adjust the cabinet to make the doors line up correctly. Tighten the screws once the doors are aligned.

Built In Guide

IMPORTANT INSTALL NOTES:

Refer to the Clearance Table when installing your Gravity Series™ 1150 into a built-in outdoor kitchen. Consult with your local building code authority or local contractor for your outdoor kitchen's solid fuel grill clearance requirements. If State or local clearance minimum is greater than manufacture recommendations, then State and Local codes for minimum clearances supersede manufacture recommendations. Use the greater of the two requirements previously mentioned.

KITCHEN REQUIREMENTS:

LEVEL SURFACE: Ensure grill is installed on a level surface.

MATERIALS: Ensure the materials used to construct the build in kitchen are non-combustible and can handle high temperatures.

BASE: Do NOT place the grill directly on a combustible surface.

ACCESS: Ensure there is front access so that the cart storage, hopper door, and intake slides are not blocked. The rear cord access SHOULD NOT be pinched or bound. Do not let cord hang on or touch hot surfaces.

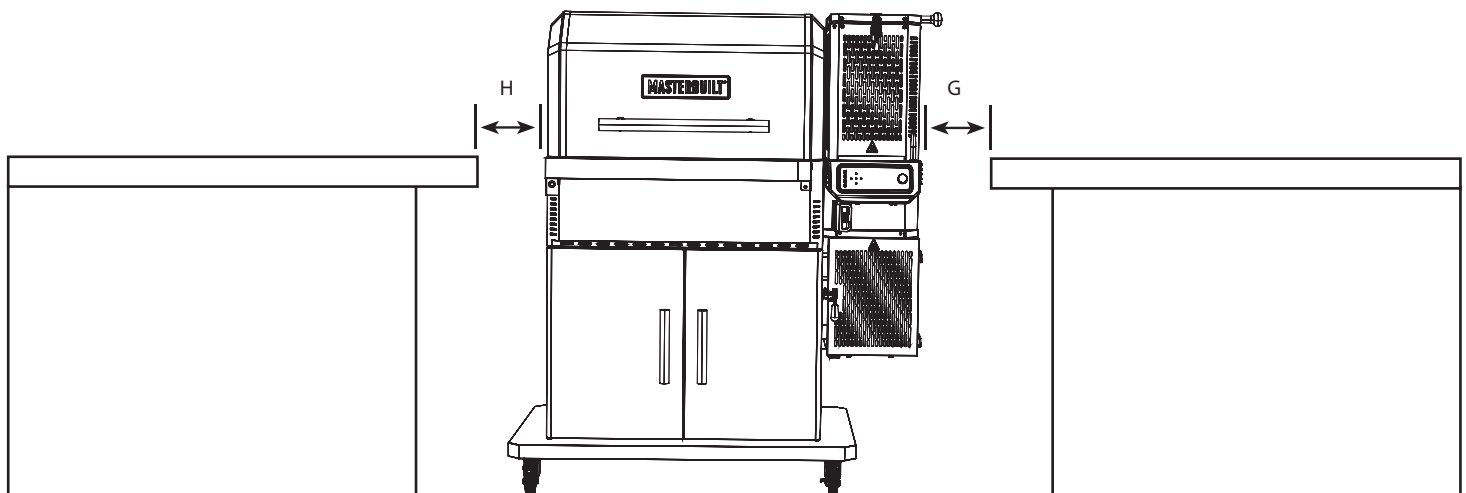
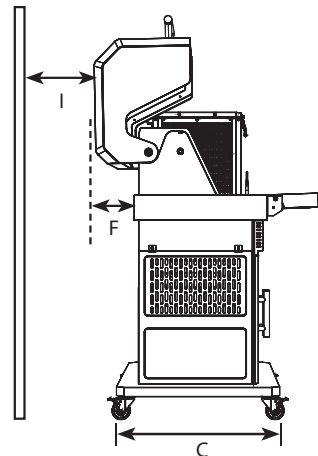
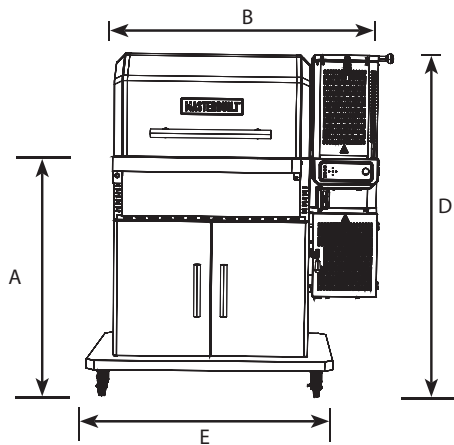
CLEARANCE: Ensure there is space between the sides of the built-in and the grill. The counter top and cabinet SHOULD NOT make direct contact with the grill. The open lid SHOULD NOT make direct contact with built-in.

Grill Dimensions	
A	922 mm / 36.3 in
B	1032 mm / 40.6 in
C	668.2mm / 26.5 in
D	1330 mm / 52.3 in
E	957 mm / 37.6 in
F	177.8 mm / 7 in

In accordance with surface touch point temperature standards and, the below diagram illustrates proper spacing around the grill for built in applications. All materials used must be non-combustible.

NOTE: Combustible material maintain a minimum distance of 3m (10 ft) from rear, sides and top of grill to all overhead construction, walls, rails or other combustible construction materials.

Clearance Table		
	STONE TOP	METAL TOP
G	254 mm / 10 in	330.2 mm / 13 in
H	254 mm / 10 in	330.2 mm / 13 in
I	152.4 mm / 6 in	



Troubleshooting

SYMPTOM	CAUSE	POSSIBLE SOLUTION
Controller not ON.	Power not ON.	Press the power button on the controller.
	Not plugged in.	Plug controller into power supply and power supply into wall outlet.
	Circuit breaker tripped.	Check wall outlet circuit breaker and reset if tripped.
	Controller malfunction.	Masterbuilt Customer Service https://www.masterbuilt.com/pages/support
Fan not ON.	Temperature in cabinet has reached the set temperature.	Once the set temperature is reached the fan will turn off. Once the temperature falls below the set temperature the fan will restart. The fan will continue adjusting itself automatically to maintain the set temperature.
	Hopper lid open.	For safety, the hopper is equipped with shut-off switches to prevent the fan from stoking the fire when these doors are open. Closing the doors will engage the switches, allowing the fan to continue normal operation.
	Ash door open.	
	Fan disconnected from controller.	Check that connection is fully seated.
	Fan disconnected from wiring harness.	
	"HOPR" displayed on controller	There is a problem with your top or bottom hopper switch, contact customer service and request a new switch kit.
	Err 3	See below.
Controller temperature inaccurate.	Temperature probe not fully plugged in.	Check that connection is fully seated.
	Temperature probe is dirty.	Carefully clean temperature probe.
Slow heating.	Shutdown slides are not removed.	Remove shutdown slides.
	Low charcoal.	Refill hopper with charcoal.
	Grill lid open.	Close grill lid.
	Fan not on.	See "Fan not ON."
Excessive smoke leaking from hopper.	Loose seal at hopper lid.	Tighten hopper lid latch.
	Loose seal at ash door.	Tighten ash door latch.
Controller restarts, enters standby mode.	Electrostatic charge. When the product is disturbed by electrostatic discharge, the controller may restart, then enter standby mode.	Controller needs to be restarted by the user to restore normal operation, this phenomenon is normal.
Err 1	Temperature probe not fully plugged in.	1. Check that connection is fully seated. 2. Unplug controller from power supply, wait 10 seconds and reconnect.
Err 2	Meat probe malfunction.	Masterbuilt Customer Service https://www.masterbuilt.com/pages/support
Err 3	Grill overheated.	1. Turn off grill. 2. Check for cause of overheat. • Grease fire. • Fan malfunction. 3. Restart grill.
Err 4	Charcoal failed to ignite.	1. Ensure shutdown slides are removed. 2. Ensure hopper lid and ash door are fully closed. 3. Ensure charcoal is not empty. 4. Ensure old ash from previous use has not blocked up the ash grate. Shake grate to allow all the old charcoal to fall thru it. 5. Restart grill.
Err 5	Meat Probe Temp above 300°F.	1. Using protective gloves, remove meat probe from grill. 2. Unplug from controller. 3. Allow meat probe to cool.
Poor Wifi connection	Weak signal.	1. Angle the antenna on back of controller to point at the ground

LIMITED WARRANTY

Masterbuilt® warrants all of its products to be free from defects in material and workmanship under proper assembly, normal use and recommended care for 1 year from the date of original retail purchase. The Masterbuilt® warranty does not cover paint finish as it may burn off during normal use. The Masterbuilt® warranty does not cover rust. Masterbuilt® requires proof of purchase for warranty claim, such as a receipt.

EUROPEAN RESIDENTS ONLY: Masterbuilt® warrants all of its products to be free from defects in material and workmanship under proper assembly, normal use and recommended care for 2 years from the date of original retail purchase

WHEN DOES THE WARRANTY COVERAGE BEGIN?

Warranty coverage commences on the original date of purchase and covers only the original purchaser. For the warranty to apply, you must register your grill. If a defect in material or workmanship is discovered during the applicable warranty period under normal use and maintenance, Masterbuilt® will, at our sole option, replace or repair the defective component at no cost to you for the component itself. This warranty does not apply to labor, or any other cost associated with the service, repair or operation of the grill. Masterbuilt® will pay all shipping charges on warranty parts.

AUSTRALIA AND NEW ZEALAND RESIDENTS ONLY:

Our goods come with guarantees that cannot be excluded under the Australian or New Zealand Consumer Law. You are entitled to a replacement or refund for a major failure and compensation for any other reasonably foreseeable loss or damage. You are also entitled to have the goods repaired or replaced if the goods fail to be of acceptable quality and the failure does not amount to a major failure.

WHAT IS NOT COVERED?

This warranty does not apply to damage caused by abuse or use of the product for purposes other than that for which it is designed, damage caused by lack of proper use, assembly, maintenance or installation, damages caused by accidents or natural disasters, damage caused by unauthorized attachments or modifications, or damage during transport. This warranty does not cover damage from normal wear and tear from use of the product (for example, scratches, dents, dings and chipping) or changes in the appearance of the grill that do not affect its performance. Commercial use is not recommended with the use of Masterbuilt products, and this warranty does not apply to commercial use of any kind. This usage for example is for restaurateurs, caterers, butchers, rental companies, food trucks and other such commercial entities.

This limited warranty is exclusive and in lieu of any other warranty, written or oral, express or implied, including but not limited to the warranty of merchantability or fitness for a particular purpose. The duration of any implied warranties, including any implied warranty of merchantability or fitness for a particular purpose is expressly limited to the duration of the warranty period for the applicable component.

The purchaser's exclusive remedy for breach of this limited warranty or any implied warranty shall be limited as specified herein to replacement. In no case shall Masterbuilt be liable for any special, incidental or consequential damages.

This warranty is provided to you in addition to all rights and remedies conveyed to you by consumer protection laws and regulations. This warranty in no way affects your legal rights under statutory warranty regulations in your state or country of residence, including the EU. Depending on your state or country of residence limitations on the length of an implied warranty or the damages available to you may not be limited by this warranty.

WHAT WILL VOID THE WARRANTY?

Purchasing any Masterbuilt® product through an unauthorized dealer voids the warranty. An unauthorized dealer is defined as any retailer who has not been expressly granted permission by Masterbuilt® to sell Masterbuilt® products.

NEED ASSISTANCE? CONTACT US

Our warranty terms may change from time to time. For an updated version of our warranty, visit www.masterbuilt.com/pages/warranty. For assistance or to request an updated copy of our warranty, contact us at the below.

Masterbuilt®

Premier Specialty Brands, LLC

5367 New Peachtree Road

Suite 150

Chamblee, GA 30341

<https://www.masterbuilt.com/pages/customer-support>

Masterbuilt®

Kamado Joe Europe

Lange Voorhout 86,2514 EJ

Den Haag, Netherlands

<https://international.masterbuilt.com/pages/customer-support>

Australia & New Zealand

Please contact your retailer for support.

Masterbuilt®

Kamado Joe UK Limited

Cheyenne House

West Street, Farnham, GU9 7EQ

<https://international.masterbuilt.com/pages/customer-support>

MASTERBUILT®
FRENCH

POUR UNE UTILISATION EN EXTÉRIEUR SEULEMENT. PAS DESTINÉ À L'USAGE COMMERCIAL.



AVERTISSEMENT



- Ce manuel contient des informations qui sont nécessaires pour une utilisation sûre et appropriée de cet appareil.
- Lisez et suivez la totalité des avertissements et des instructions fournis avant d'assembler et d'utiliser l'appareil.
- Conservez ce manuel pour pouvoir le consulter ultérieurement.



AVERTISSEMENT



AVERTISSEMENT : Ce produit peut vous exposer à des produits chimiques, y compris le DINP, reconnu par l'État de la Californie comme provoquant le cancer, et le monoxyde de carbone, reconnus par l'État de la Californie comme provoquant des anomalies congénitales ou d'autres troubles de la reproduction. Pour de plus amples renseignements, rendez-vous à www.P65Warnings.ca.gov



DANGER LIÉ AU MONOXYDE DE CARBONE



L'omission de vous conformer à ces instructions pourrait entraîner un incendie, une explosion ou un risque de brûlure, ce qui pourrait causer des dommages matériels, des blessures ou la mort.

- La combustion de copeaux de bois, de morceaux de bois, de granules de bois, de charbon ou de propane dégage du monoxyde de carbone, qui n'a pas d'odeur et peut causer la mort.
- NE brûlez PAS de copeaux de bois, de morceaux de bois, de granules de bois, de charbon ou de propane à l'intérieur d'habitations, de véhicules, de tentes, de garages ou d'espaces fermés.
- N'utilisez pas le barbecue dans un espace clos ou habitable, par exemple une maison, une tente, une roulotte, une maison mobile ou un bateau. Danger de décès causé par l'empoisonnement au monoxyde de carbone.
- UTILISEZ L'APPAREIL UNIQUEMENT À L'EXTÉRIEUR avec de bonnes conditions de ventilation.
- **RESPECTEZ CES DIRECTIVES POUR EMPÊCHER CE GAZ INCOLORE ET INODORE DE VOUS EMPOISONNER, VOUS, VOTRE FAMILLE OU D'AUTRES PERSONNES.**
 - Connaissez les symptômes de l'empoisonnement au monoxyde de carbone : maux de tête, étourdissements, faiblesse, nausées, vomissements, somnolence et confusion. Le monoxyde de carbone réduit la capacité du sang à transporter l'oxygène. Un faible taux d'oxygène dans le sang peut entraîner une perte de conscience et la mort.
 - Consultez un médecin si d'autres personnes ou vous développez des symptômes du rhume ou de la grippe pendant que vous cuisinez ou vous vous trouvez près de cet appareil. L'empoisonnement au monoxyde de carbone, que l'on peut facilement méprendre pour un rhume ou une grippe, est souvent détecté trop tard.
 - La consommation d'alcool et de drogues aggrave les effets de l'empoisonnement au monoxyde de carbone.
 - *Le monoxyde de carbone est particulièrement toxique pour la mère et l'enfant pendant la grossesse, les nourrissons, les personnes âgées, les fumeurs et les personnes souffrant de problèmes sanguins ou circulatoires, tels que l'anémie ou les maladies cardiaques.*



AVERTISSEMENTS ET MISES EN GARDE IMPORTANTES



LISEZ TOUTES LES INSTRUCTIONS

- Ne laissez pas le barbecue sans surveillance.
- Ce barbecue est conçu pour une UTILISATION DOMESTIQUE À L'EXTÉRIEUR SEULEMENT.
- Ne l'utilisez pas à l'intérieur!
- N'utiliser que du charbon de bois comme combustible.
- Utilisez toujours le barbecue conformément à tous les codes de prévention des incendies municipaux, provinciaux et fédéraux applicables.
- Tout manquement à respecter les avertissements pourrait causer des dommages au barbecue ou des blessures à l'utilisateur.
- N'utilisez jamais l'appareil dans un lieu fermé comme un atrium, un garage, un bâtiment ou une tente.
- N'utilisez jamais l'appareil à l'intérieur de véhicules récréatifs ou de bateaux.
- N'utilisez jamais le barbecue sous une structure surélevée comme une couverture, un abri pour voiture, une marquise ou un porte-à-faux. (VOIR LES EXIGENCES EN MATIÈRE DE PROXIMITÉ STRUCTURELLE)
- Gardez l'appareil à distance et libre de tout matériau combustible tel que de l'essence ou tout autre liquide ou gaz inflammable.
- Mettez le barbecue sur une surface stable plate et non combustible comme la terre battue, le béton, la brique ou la pierre. Il est possible qu'une surface en asphalte (revêtement hydrocarboné) ne convienne pas.
- N'utilisez pas le barbecue sur des surfaces en bois ou inflammables.
- Le barbecue DOIT être posé sur le sol. Ne posez pas le barbecue sur une table ou un comptoir. NE déplacez PAS le barbecue sur des surfaces inégales.
- Il ne faut faire rouler le barbecue que sur une surface plate.
- Il ne faut jamais faire rouler le barbecue dans des escaliers ou sur des surfaces inégales.
- N'utilisez jamais le barbecue comme système de chauffage (LISEZ LA SECTION « DANGER LIÉ AU MONOXYDE DE CARBONE »).
- Utilisez l'appareil uniquement pour la fonction pour laquelle il a été conçu. Ce barbecue n'est PAS destiné à un usage commercial.
- Conservez toujours un extincteur à portée de la main pendant que vous utilisez le barbecue.
- Lorsque vous préparez des aliments avec de l'huile ou de la graisse, conservez un extincteur de type BC ou ABC à portée de la main.



AVERTISSEMENTS ET MISES EN GARDE IMPORTANTES



- Ne tentez pas d'éteindre un feu d'huile ou de graisse avec de l'eau. Appelez immédiatement les pompiers. Dans certains cas, un extincteur de type BC ou ABC peut contenir le feu.
- Avant toute utilisation, vérifiez la totalité des écrous, des vis et des boulons afin de vous assurer qu'ils sont bien serrés.
- La consommation d'alcool ou de médicaments, sous ordonnance ou en vente libre, peut affecter la capacité de l'utilisateur à assembler correctement le barbecue ou à le faire fonctionner de manière sûre.
- Gardez les enfants et les animaux à distance du barbecue en tout temps. Ne laissez PAS les enfants utiliser le barbecue. Une surveillance attentive est nécessaire si des enfants ou des animaux se trouvent à proximité du barbecue pendant son utilisation.
- Cet appareil ne doit pas être utilisé par des personnes (y compris des enfants) ayant des capacités physiques, sensorielles ou mentales réduites, ou qui manquent d'expérience et de connaissances, sauf si elles sont supervisées ou si elles ont reçu des instructions.
- Cet appareil ne doit pas être utilisé par les enfants âgés de 8 ans ou plus et par des personnes ayant des capacités physiques, sensorielles ou mentales réduites, ou qui manquent d'expérience et de connaissances, sauf s'ils ont reçu de la supervision ou des instructions.
- NE permettez à PERSONNE de faire des activités autour du barbecue pendant ou après son utilisation avant qu'il n'ait refroidi.
- NE heurtez ou NE percutez PAS le barbecue pour éviter des lésions personnelles, des dommages au grill ou le renversement ou les éclaboussures de liquide de cuisson chaud.
- Il faut faire preuve d'une extrême prudence en déplaçant un appareil contenant de l'huile chaude ou d'autres liquides chauds.
- Ne déplacez jamais le barbecue pendant son utilisation. Attendez que le barbecue ait refroidi complètement (température inférieure à 45 °C [115 °F]) avant de le déplacer ou de l'entreposer.
- Le barbecue est CHAUD en cours d'utilisation et restera CHAUD pendant un certain temps ensuite et pendant le refroidissement. Faites ATTENTION. Portez des gants de protection ou des gants isolants.
- Ne touchez pas de surfaces CHAUDES. Utilisez les poignées ou les boutons.
- Ne mettez jamais d'articles de cuisine en verre, en plastique en céramique dans le barbecue. Ne mettez jamais d'articles de cuisine vides dans le barbecue pendant son utilisation.
- L'utilisation d'accessoires non fournis par Masterbuilt® n'est PAS recommandée et peut provoquer des blessures.
- Ne rangez pas le barbecue s'il contient encore des cendres ou du charbon chauds. Ne le rangez qu'une fois que le feu est complètement éteint et que toutes les surfaces ont refroidi.
- Le barbecue et les écrans thermiques de la trémie sont CHAUDS en cours d'utilisation et resteront CHAUDS pendant un certain temps ensuite et pendant le refroidissement. Faites preuve de PRUDENCE. Portez des gants de protection ou des gants isolants.
- Soyez prudent lorsque vous sortez les aliments du barbecue. Toutes les surfaces sont CHAUDES et peuvent provoquer des brûlures. Utilisez des mitaines/gants de protection ou des ustensiles de cuisine robustes à manche long pour vous protéger des surfaces chaudes ou des éclaboussures provenant des liquides de cuisson.
- Le barbecue est chaud lorsqu'il est en marche. Pour éviter les brûlures, gardez le visage et le corps loin de la porte et des événements. L'utilisation génère de la vapeur et de l'air chaud.
- L'écran thermique de la trémie, le couvercle et le loquet de la trémie, la porte à cendres de la trémie et le loquet sont CHAUDS pendant l'utilisation du barbecue et la période de refroidissement. Portez des gants de protection lorsque vous travaillez avec ces composants et autour de ceux-ci.
- Le barbecue produit une flamme nue. Gardez les mains, les cheveux et le visage à l'écart de la flamme. NE vous penchez PAS au-dessus du barbecue pendant que vous l'allumez. Les cheveux non attachés et les vêtements amples peuvent s'enflammer.
- N'obstruez ni la circulation des gaz de combustion ni les orifices de ventilation.
- Ne couvrez pas les grilles de cuisson avec des feuilles métalliques. Cela emprisonne la chaleur et pourrait endommager le barbecue.
- Ne laissez jamais des cendres ou du charbon CHAUDS sans surveillance.
- N'enlevez pas la cendre lorsque les cendres et le charbon de bois sont CHAUDS.
- Gardez les mains, les cheveux et le visage à distance du charbon en feu. Faites attention aux cheveux détachés et aux vêtements amples pendant l'utilisation, car ils pourraient prendre feu.
- Portez des gants de protection lorsque vous manipulez ce barbecue ou vous travaillez avec du feu. Portez des gants de protection ou utilisez des outils pour cheminée longs et résistants pour ajouter du bois ou du charbon.
- N'utilisez jamais de liquide d'allumage pour charbon, d'essence, d'alcool ou d'autres fluides extrêmement volatils pour allumer le charbon. Ces liquides peuvent exploser et causer des blessures ou la mort. Suivez toujours les instructions d'allumage propres à ce barbecue.
- Ne remplissez jamais trop la grille à charbon. Cela peut causer des blessures graves et endommager le barbecue.
- Débarrassez-vous des cendres froides en les enveloppant dans du papier d'aluminium avant de les imbiber d'eau et de les jeter dans un contenant incombustible.
- ATTENTION – Pour réduire le risque de décharge électrique, maintenez la rallonge sèche et hors du sol.
- ATTENTION – Pour vous protéger contre les décharges électriques, n'immergez pas le cordon, les fiches ou une partie du panneau de commande dans de l'eau ou d'autres liquides.
- AVERTISSEMENT : Risque de décharge électrique. Installez uniquement sur une prise DDFT de classe A couverte dont le boîtier est étanche aux intempéries lorsque le bouchon de la fiche de branchement est inséré ou retiré.
- Le barbecue ne doit être utilisé qu'avec une prise de courant couverte, résistante aux intempéries et conçue pour l'extérieur.
- AVERTISSEMENT : N'utilisez pas le barbecue avec des prises qui sont étanches aux intempéries seulement lorsque la prise est couverte (bouchon de la fiche de branchement non inséré et couvercle de la prise fermé).
- Lorsque vous utilisez des appareils électriques, vous devez toujours prendre des précautions de sécurité de base, dont les suivantes :
 1. Branchez l'appareil uniquement lorsqu'il est complètement assemblé et prêt à l'emploi.
 2. Utilisez seulement une prise électrique mise à la terre approuvée.
 3. N'utilisez pas l'appareil pendant un orage électrique.
 4. N'exposez jamais l'appareil à la pluie ou à l'eau.
- Il faut utiliser des rallonges extérieures marquées d'un « W » accompagné de la mention « Suitable for Use with Outdoor Appliances » (Approuvé pour usage extérieur).
- La rallonge doit consister en un cordon à 3 fils avec mise à la terre.



AVERTISSEMENTS ET MISES EN GARDE IMPORTANTES



- Ne faites pas fonctionner d'appareil avec une fiche ou un cordon d'alimentation endommagé, après qu'il a présenté un dysfonctionnement ou s'il est endommagé d'une quelconque manière. Si le cordon d'alimentation est endommagé, il doit être remplacé par le fabricant, son agent d'entretien ou d'autres personnes qualifiées afin d'éviter les dangers.
- Des rallonges peuvent être utilisées en faisant preuve de prudence.
- Si vous utilisez une rallonge :
 1. la puissance électrique indiquée sur le cordon de rallonge doit être au moins aussi élevée que celle de l'appareil;
 2. le cordon doit être disposé de telle sorte qu'il ne pende pas du comptoir ou de la table, ce qui permettrait à des enfants de tirer dessus ou qui présenterait un risque de chute.
- Ne laissez pas le cordon pendre sur des surfaces chaudes ou les toucher.
- Ne mettez pas l'appareil sur une plaque à gaz ou électrique ou à proximité, ou bien dans un four chaud.
- Pour procéder au débranchement, tournez le contrôleur sur « OFF », puis retirez la fiche de la prise.
- Débranchez l'appareil lorsqu'il ne sert pas et avant le nettoyage. Laissez l'appareil refroidir complètement avant d'ajouter ou de retirer les composants internes.
- Ne nettoyez pas ce produit avec un système de pulvérisation d'eau ou similaire.
- N'ouvrez jamais la trémie après le démarrage initial ou pendant l'utilisation. S'il est nécessaire de rajouter du charbon de bois pendant l'utilisation, suivez les instructions de rechargement propres à ce barbecue et portez toujours des gants de protection.
- Ne faites jamais fonctionner ce barbecue si la sonde de température n'est pas présente. Cela pourrait faire surchauffer le barbecue et causer des blessures graves ou des dommages importants au barbecue.
- Fermez les glissières d'entrée de chaleur et d'entrée d'air après chaque utilisation.
- Ouvrez les glissières d'entrée de chaleur et d'entrée d'air avant chaque utilisation.
- Ne jamais faire fonctionner le barbecue si les glissières d'entrée de chaleur et d'entrée d'air sont fermées. Cela pourrait causer des dommages au barbecue.
- Cet appareil est conforme aux normes CNR pour matériel exempté de licence d'Industrie Canada. Le fonctionnement est soumis aux deux conditions suivantes :
 1. cet appareil ne doit pas causer d'interférences, et
 2. cet appareil doit accepter n'importe quelle interférence, y compris des interférences qui peuvent provoquer un fonctionnement non désiré de l'appareil.
- Cet équipement est conforme aux limites d'exposition aux rayonnements d'IC fixées pour un environnement non contrôlé. Cet équipement doit être installé et utilisé à une distance minimale de 20 cm entre le radiateur et votre corps.



EXIGENCES ÉLECTRIQUES



- Alimentation électrique (É.-U./CA/MEX) : 100-240 V c.a., 50/60 HZ, 0,5 A, 18 W
- Alimentation en électricité (EU/R.-U.) : 100-240 V c.a., 50/60 HZ, 0,5 A, 18 W
- Alimentation en électricité (AUS/N.-Z.) : 100-240 V c.a., 50/60 HZ, 0,6 A, 24 W
- Produit : 12 V, 1,5 A



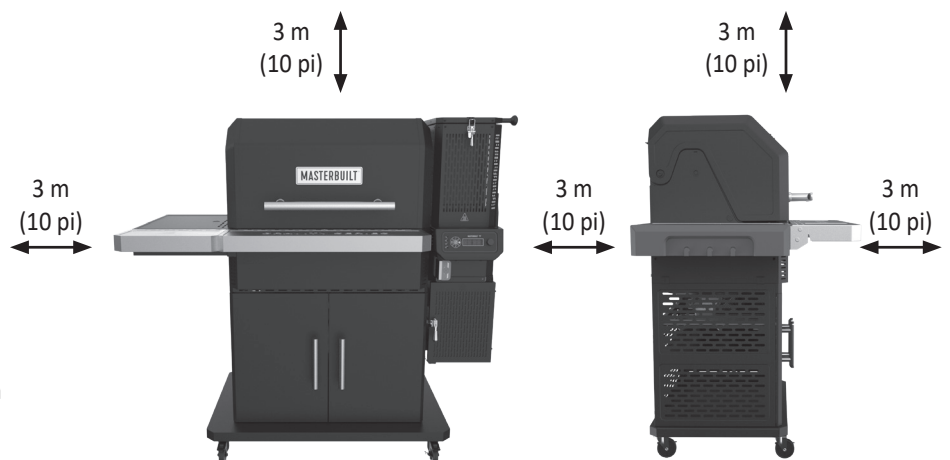
EXIGENCES CONCERNANT LA PROXIMITÉ AVEC LES STRUCTURES



Gardez une distance minimale de 3 m (10 pi) entre l'arrière, les côtés et le dessus du barbecue et toute structure surélevée, un mur, une rampe ou d'autres matériaux de construction combustibles.

Gardez une distance minimale de 3 m (10 pi) entre l'appareil et tout matériau combustible et inflammable comme le bois, les plantes, le gazon, la broussaille, le papier, l'essence ou la toile.

Ce dégagement offre un espace suffisant pour une combustion, une circulation de l'air et une ventilation appropriées. Il ne faut pas utiliser le barbecue sur des matières combustibles comme les terrasses en bois et en autres matières combustibles.



REMARQUE :

Voir le guide d'intégration pour connaître les espaces minimum entre le barbecue et tout côté non combustible ou toute paroi arrière.



AVERTISSEMENT



Le cordon électrique présente un risque de chute.

CONSERVEZ CES INSTRUCTIONS.

Ce produit n'est pas livré avec du charbon de bois ou des morceaux de bois.

Contrôleur

PANNEAU DE COMMANDE



Mise en marche/Arrêt/Pause du contrôleur :

1. Appuyez sur le bouton pour mettre le contrôleur en marche.
2. Une seule pression pendant le fonctionnement = fonction PAUSE
3. Longue pression pendant le fonctionnement = Arrêt

Prises pour sonde de température



Fonction Pause :

Le barbecue est doté d'une fonction PAUSE pour mieux maintenir les températures réglées lorsque le couvercle est ouvert.

- Lors de la cuisson à des températures supérieures à 500 °C ((260 °F) , assurez-vous que la fonction PAUSE est activée AVANT d'ouvrir le couvercle du barbecue.
- La fonction Pause arrête le ventilateur pour éviter un pic de température lors de l'ouverture du couvercle.
- Pour activer la fonction PAUSE, appuyez sur le bouton d'alimentation (le contrôleur affiche HOLD)
- Pour revenir au maintien normal de la température et réactiver le ventilateur, appuyez à nouveau sur le bouton d'alimentation.



Réglage de la température :

1. Appuyez sur le bouton.
2. Tournez le bouton sur la température voulue.
3. Appuyez de nouveau sur le bouton pour régler la température.
(La température se règle automatiquement au bout de 3 secondes.)

Réglage de la température de °F à °C :

1. Avec l'appareil éteint, tenez enfoncé le bouton Set Temp
2. Appuyez sur le bouton marche/arrêt
3. L'appareil s'allume et « F » ou « C » clignote sur l'afficheur
4. Utilisez le bouton pour sélectionner l'échelle de température
5. Appuyez sur Set Temp pour confirmer



Réglage de la durée :

• Minuterie de compte à rebours

1. Appuyez sur le bouton.
2. Tournez le bouton sur le nombre d'heures voulu.
3. Appuyez sur le bouton pour régler les heures.
4. Tournez le bouton sur le nombre de minutes voulu.
5. Appuyez sur le bouton pour régler les minutes. Le compte à rebours commencera.
6. Appuyez sur le bouton pour interrompre et reprendre la minuterie.
7. Appuyez sur le bouton et tenez-le enfoncé pour réinitialiser le compte à rebours.

• Minuterie croissante

1. Appuyez sur le bouton et tenez-le enfoncé.
2. La minuterie commencera le chronométrage à partir de 00:00.
La minuterie présentera le chronométrage par Minutes:Secondes, puis par Heures:Minutes.
3. Appuyez sur le bouton pour interrompre et reprendre la minuterie.
4. Appuyez sur le bouton et tenez-le enfoncé pour réinitialiser le compte à rebours.



Réglage des températures du thermomètre à viande :

1. Appuyez sur le bouton et tournez-le pour sélectionner le thermomètre à viande (MP1, MP2, MP3, MP4). Appuyez de nouveau sur le bouton.
2. Appuyez sur le bouton Température.
3. Tournez le bouton sur la température voulue.
4. Appuyez de nouveau sur le bouton Température pour régler la température.
(Si le thermomètre à viande atteint 150 °C (300 °F), une alarme se fera entendre : le thermomètre à viande devra être retiré de la chaleur et avoir le temps de refroidir. Le thermomètre à viande subira des dommages s'il est laissé à cette température.)
* REMARQUE : en mode Réglage, l'icône du thermomètre à viande clignote.
5. Une fois la température réglée atteinte, l'alarme se fait entendre. Appuyez sur n'importe quel bouton pour la faire taire.

Affichage des renseignements sur l'afficheur :

- Tournez le bouton pour faire défiler la température du barbecue, la minuterie et les thermomètres à viande MP1, MP2, MP3 et MP4 sur l'afficheur.

CONNECTIVITÉ



1. Téléchargez l'appli Masterbuilt à partir de l'App Store de Apple ou du Google Play Store sur votre ou vos appareils intelligents. Pour de plus amples renseignements, rendez-vous à masterbuilt.com/pages/app-device-requirements.
2. Une fois le téléchargement terminé, ouvrez l'appli Masterbuilt et suivez les instructions pour appairer votre barbecue et vos appareils intelligents.

Cet appareil est conforme à la partie 15 du règlement de la FCC. Le fonctionnement est soumis aux deux conditions suivantes :

1. cet appareil ne doit pas causer d'interférences nuisibles, et
2. cet appareil doit accepter toute interférence reçue, y compris des interférences qui peuvent provoquer un fonctionnement non désiré.

Avertissement de la FCC :

Avertissement : Tout changement ou toute modification non expressément approuvés par la partie responsable de la conformité peut annuler l'autorisation de l'utilisateur à utiliser cet appareil.

Déclaration de la FCC :

Cet appareil a été testé et est conforme aux limites imposées aux dispositifs numériques de classe B, conformément à la partie 15 du règlement de la FCC. Ces limites sont conçues pour offrir une protection raisonnable contre les interférences nuisibles dans une installation résidentielle.

Cet appareil génère, utilise et peut émettre une énergie radiofréquence et peut, s'il n'est pas installé et utilisé selon les consignes, causer des interférences nuisibles aux communications radio.

Cependant, il n'y a aucune garantie que des interférences ne se produiront pas dans une installation donnée. Si cet appareil cause des interférences nuisibles à la réception des signaux de radio ou de télévision, ce qui peut être déterminé en allumant et en éteignant l'appareil, on encourage l'utilisateur à essayer de corriger ces interférences par l'un des moyens suivants :

1. Réorienter l'antenne réceptrice ou la placer à un autre endroit.
2. Augmenter la distance entre l'appareil et le récepteur.
3. Brancher l'appareil dans une prise de courant se trouvant sur un circuit électrique autre que celui auquel il est branché actuellement.
4. Communiquer avec un technicien radio/télévision pour obtenir de l'aide.

Remarque : Si vous perdez la connexion, le fumoir continuera à fonctionner comme il a été programmé. Le fumoir peut être contrôlé à partir du panneau de commande en cas de défaillance de l'appairage ou de la connexion.

L'émetteur/récepteur exempt de licence contenu dans le présent appareil est conforme aux CNR d'Innovation, Sciences et Développement économique Canada applicables aux appareils radio exempts de licence. L'exploitation est autorisée aux deux conditions suivantes :

- 1) L'appareil ne doit pas produire de brouillage;
- 2) L'appareil doit accepter tout brouillage radioélectrique subi, même si le brouillage est susceptible d'en compromettre le fonctionnement.

Cet équipement doit être installé et utilisé conformément aux instructions fournies et l'antenne ou les antennes utilisées pour cet émetteur doivent être installées de manière à assurer une distance de séparation d'au moins 20 cm par rapport à toutes les personnes et ne doivent pas être colocalisées ou fonctionner en conjonction avec une autre antenne ou un autre émetteur. Les utilisateurs finaux et les installateurs doivent recevoir les instructions d'installation de l'antenne et les conditions de fonctionnement de l'émetteur pour satisfaire aux exigences de conformité en matière d'exposition RF.

Avertissement de la IC :

Cet émetteur ne doit pas être installé ou fonctionner en conjonction avec une autre antenne ou un autre émetteur. Cet équipement doit être installé et utilisé à une distance minimale de 20 cm entre le radiateur et votre corps.

Émetteur sans fil :

Caractéristiques de l'émetteur et du WiFi = RF 0 dBm / 2412-2484 MHz

Mode d'emploi

APPRÊTAGE

L'apprêtage de votre barbecue permettra d'éliminer les produits chimiques et les huiles laissés par le processus de fabrication en les laissant brûler. **APPRÊTEZ LE BARBECUE AVANT LA PREMIÈRE UTILISATION.**

1. Mettez du charbon de bois dans la trémie jusqu'à ce qu'elle soit environ au quart ou à moitié pleine.
2. Mettez le barbecue en marche en suivant les instructions de mise en marche, et réglez la température à 250 °F (121 °C) pendant 60 minutes.
3. Réglez la température à 204 °C (400 °F) pendant 30 minutes.
4. Éteignez le barbecue en suivant les instructions d'arrêt.
5. Laissez le barbecue refroidir **COMPLÈTEMENT**.
6. Recommencez les étapes 3 à 6 à 350 °F (177 °C).

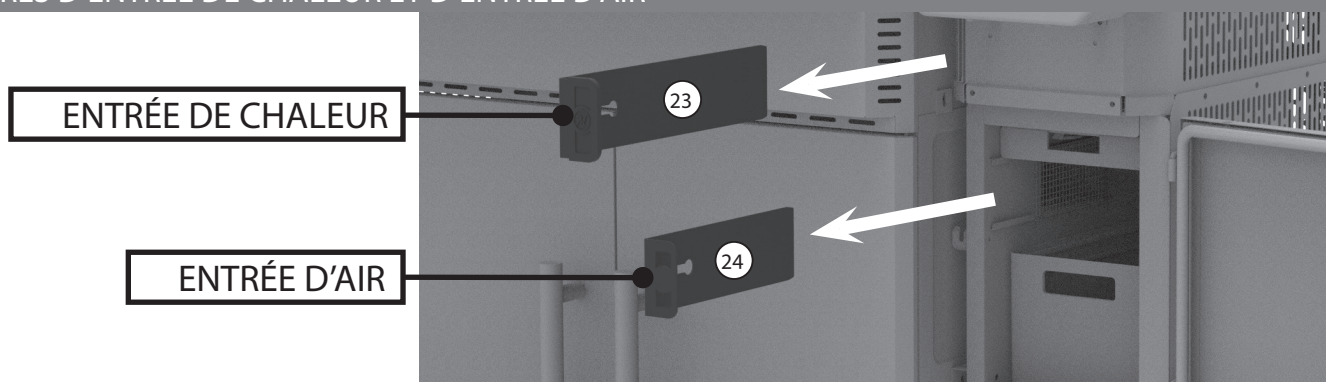
Un apprêt fréquent empêche la formation de rouille. Si de la rouille apparaît, enlevez-la au moyen d'une brosse à soies d'acier, appliquez du shortening végétal et faites chauffer comme indiqué ci-dessus.

MISE EN MARCHE

1. ENLEVEZ les glissières d'entrée de chaleur et d'entrée d'air.
2. Ouvrez le couvercle de la trémie et la porte à cendres de la trémie.
 - Un interrupteur de sécurité sur chacune de ces portes empêche le ventilateur de fonctionner lorsqu'elles sont ouvertes.
 - S'il reste du charbon d'une utilisation précédente, secouez la grille à charbon pour vous assurer que toute la cendre tombe dans le bac à cendres.
 - Jetez la cendre contenue dans le bac à cendres.
3. Remplissez la trémie de charbon de bois.
 - Environ 8,2 kg (18 lb) de briquettes) de charbon.
 - Environ 5,5 kg (12 lb) de morceaux de charbon.
 - **N'utilisez jamais de charbon de bois à allumage rapide ou de liquide d'allumage.**
 - Si du charbon tombe dans le seau à cendre au travers de la grille à charbon, enlevez-le avant de commencer.
4. Mettez l'allume-feu sur la grille à charbon, allumez-le, puis attendez 1 à 2 minutes pour vous assurer qu'il s'enflamme.
 - Utilisez un allume-feu sécuritaire pour les aliments ou un morceau d'essuie-tout ou de papier tordu.
 - Mettez-le sur la grille à charbon, sur les barres de support de l'allume-feu.
 - Faites preuve de prudence et portez des gants de protection.
 - Allumez-le avec une allumette ou l'allumeur.
5. Mettez le contrôleur en marche et réglez-le à la température voulue.
 - Allumez l'allume-feu avant de régler la température.
 - Attendez 1 à 2 minutes après avoir allumé l'allume-feu, pour vous assurer que celui-ci est bien allumé.
6. Attendez que le barbecue atteigne la température réglée voulue.
 - Le barbecue devrait préchauffer en environ 15 minutes.



GLISSIÈRES D'ENTRÉE DE CHALEUR ET D'ENTRÉE D'AIR



Mode d'emploi

RECHARGE

S'il est nécessaire de remplir la trémie pendant la cuisson, suivez les instructions ci-dessous pour une recharge sécuritaire.

1. N'ajoutez PAS de charbon de bois lorsque la température du barbecue est réglée à plus de 121 °C (250 °F).
2. Mettez le ventilateur en pause avant d'ouvrir le couvercle de la trémie ou la porte à cendres.
3. Le ventilateur s'éteint si vous ouvrez le couvercle de la trémie ou la porte à cendres. Il s'agit d'une caractéristique de sécurité du barbecue.
4. FAITES PREUVE D'UNE EXTRÊME PRUDENCE : Lorsque le couvercle de la trémie est ouvert, la flamme sort du dessus de la trémie comme un flambeau.
Lorsque le couvercle de la trémie et la porte à cendres sont fermés, la flamme revient à son niveau normal.
5. En portant des gants de protection, ouvrez le couvercle de la trémie. Le couvercle de la trémie sera chaud.
6. Ajoutez rapidement plus de charbon de bois dans la trémie. Une flamme sortira de la trémie après quelques instants, nous vous recommandons de remplir la trémie le plus rapidement possible.
7. Fermez le couvercle de la trémie.

ARÔME FUMÉ

Mélangez des morceaux de bois avec le charbon de bois dans la trémie. REMARQUE : N'utilisez jamais plus de 0,68 kg (1,5 lb) de morceaux de bois dans la trémie.

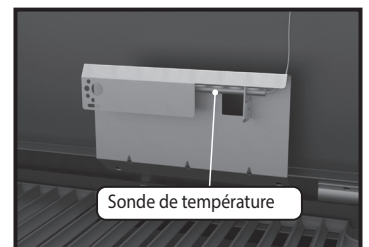
ARRÊT

1. Éteignez le contrôleur et débranchez le barbecue.
2. Fermez le couvercle du gril et de la trémie, insérez la glissière de la trappe à cendres et fermez la trappe à cendres.
3. Fermez la glissière de la grille supérieure et de l'admission d'air.
 - Le barbecue est conçu pour priver le charbon de bois d'oxygène lorsqu'il est éteint. Cela permet de conserver une partie du charbon de bois inutilisé pour la prochaine utilisation.
4. Le manquement à fermer les glissières lors de l'arrêt pourrait endommager le barbecue.
5. Assurez-vous toujours que le barbecue est frais au toucher avant de le nettoyer et de le ranger.

Nettoyage et entretien

Pour que votre barbecue reste en parfait état, il est nécessaire de le nettoyer et de l'entretenir régulièrement. La meilleure façon de protéger votre barbecue contre les éléments consiste à utiliser une housse.

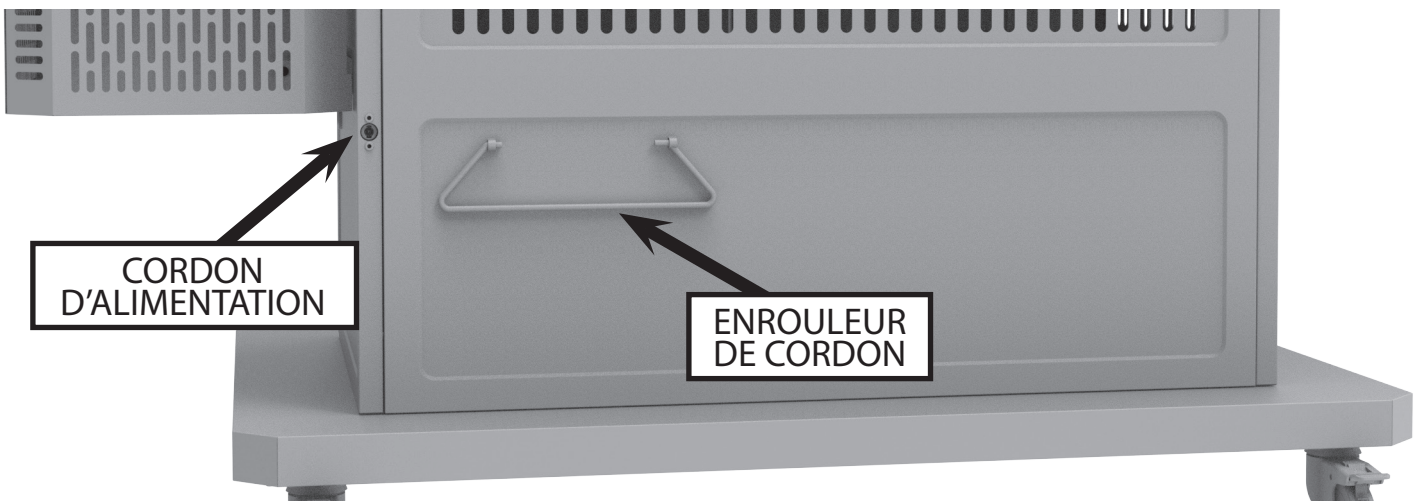
- VEILLEZ À TOUJOURS VOUS ASSURER QUE L'APPAREIL EST FROID AU TOUCHER AVANT DE LE NETTOYER ET DE LE REMISER.
- Inspectez régulièrement toute la quincaillerie de chacune des parties assemblées afin de vous assurer que le barbecue fonctionne de façon sécuritaire.
- Nettoyez le barbecue et les grilles de cuisson au moyen d'un détergent à vaisselle doux.
- Essuyez l'extérieur du barbecue à l'aide d'un chiffon humide. N'utilisez PAS de produit à nettoyer les fours ou d'autres agents nettoyants. Assurez-vous de bien sécher l'appareil.
- Nettoyez périodiquement la sonde de température (illustrée) avec un détergent à vaisselle doux pour vous assurer que les relevés de température du barbecue sont exacts.
Assurez-vous de bien sécher l'appareil.
- Après chaque utilisation, une fois les cendres refroidies, nettoyez le bac à cendres et l'intérieur de la trémie inférieure pour enlever l'accumulation de cendre, les résidus et la poussière.
- Videz toujours le bac à cendres après l'utilisation, une fois que les cendres ont complètement refroidi.
Cela prolongera la durée de vie du bac à cendres.
- Mettez au rebut les cendres froides en les enveloppant dans une feuille d'aluminium, puis en trempant le tout dans de l'eau avant de le jeter dans un récipient non combustible.
- Veillez à toujours couvrir et entreposer le barbecue dans un ENDROIT SEC protégé. Ne le rangez qu'une fois que le feu est complètement éteint et que toutes les surfaces ont refroidi.
- Rangez les thermomètres à viande dans la maison.
- Lorsque vous ne vous servez pas souvent du barbecue, rappelez-vous de le vérifier périodiquement, même lorsque vous utilisez une housse, afin d'éviter la rouille et la corrosion dues à l'accumulation d'humidité.



Ajustements et conseils

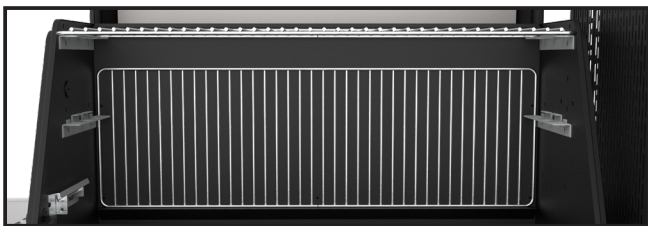
CORDON D'ALIMENTATION

Le cordon d'alimentation se branche à l'arrière de votre barbecue.



RANGEMENT DES GRILLES-RÉCHAUDS

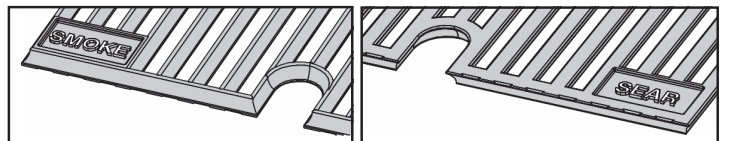
La grille chauffante est conçue pour être rangée derrière le support de grille chauffante. Lorsqu'elle n'est pas utilisée, une grille chauffante se placera derrière le support de la grille chauffante.



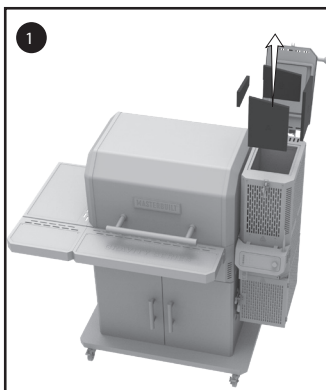
GRILLES FUMER + SAISIR

Votre barbecue est doté de grilles en fonte Fumer + Saisir pour le fumage lent à basse température ou la saisie à haute température. Il suffit de retourner les grilles sur le côté qui correspond à votre mode de cuisson.

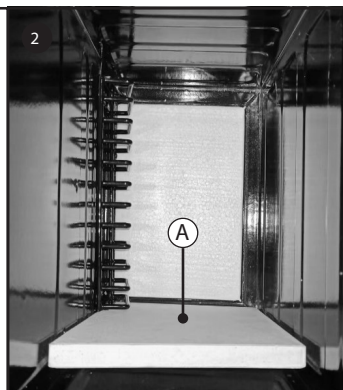
Remarque : Ne jamais retourner les grilles lorsque le barbecue est en marche ou chaud.



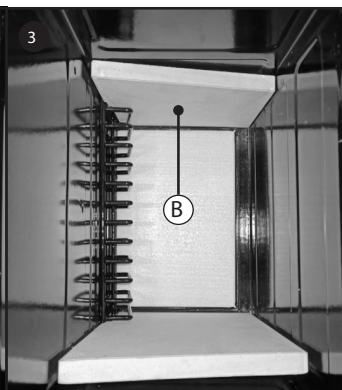
REPLACEMENT DES BRIQUES RÉFRACTAIRES



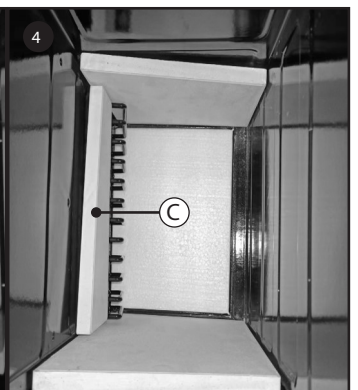
Retirez les quatre briques qui se trouvent à l'intérieur de la trémie.



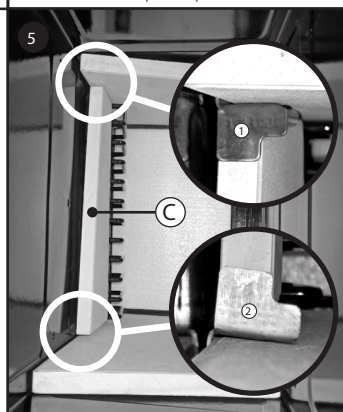
Remplacez le panneau A.



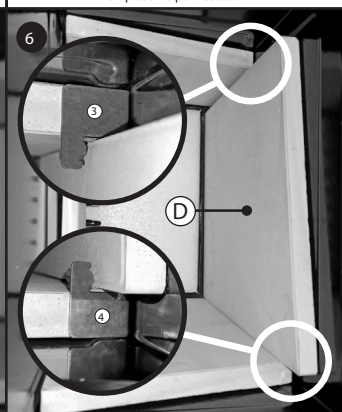
Remplacez le panneau B.



Remplacez le panneau C.



Ajoutez les supports 1 et 2.

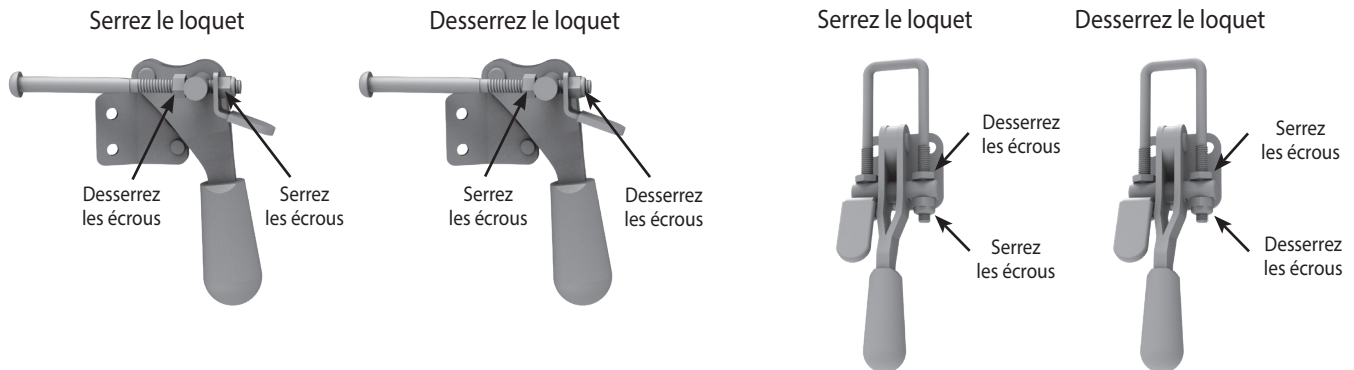


Remplacez le panneau D. Ajoutez les supports 3 et 4.

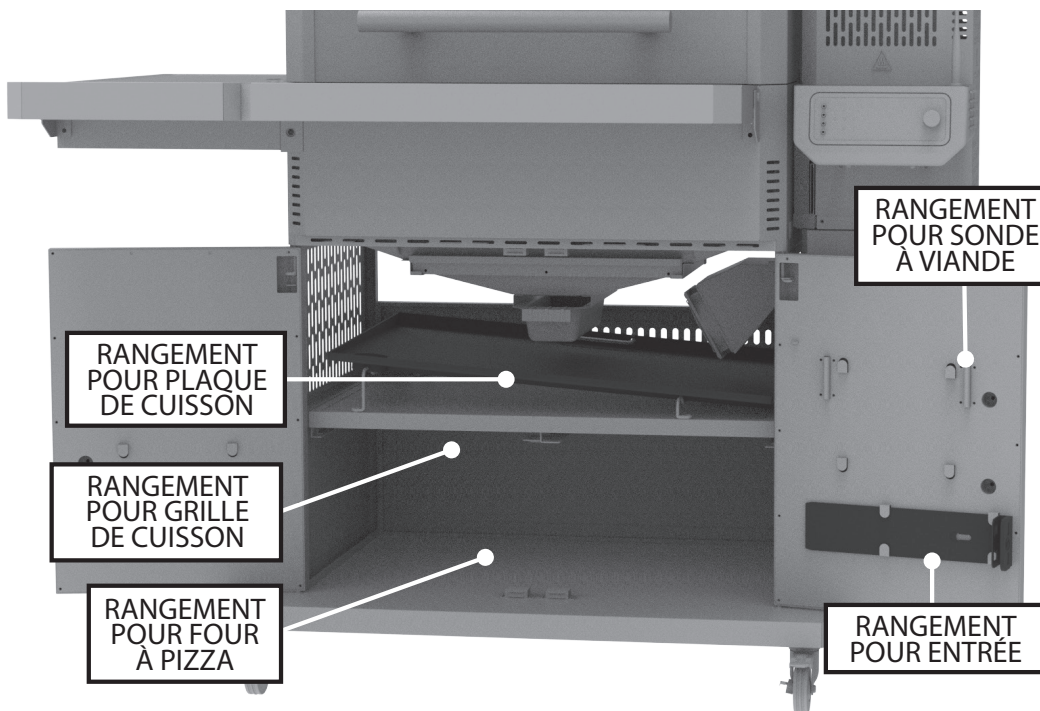
Ajustements et conseils

AJUSTEMENT DU LOQUET

Il est possible que le couvercle et les loquets de porte de la trémie doivent être ajustés pour assurer une bonne étanchéité et prévenir une fuite excessive de fumée. Desserrez légèrement les loquets s'il faut une pression excessive pour les fermer. Serrez légèrement les loquets s'il y a une fuite excessive de fumée.



RANGEMENT DES ACCESSOIRES

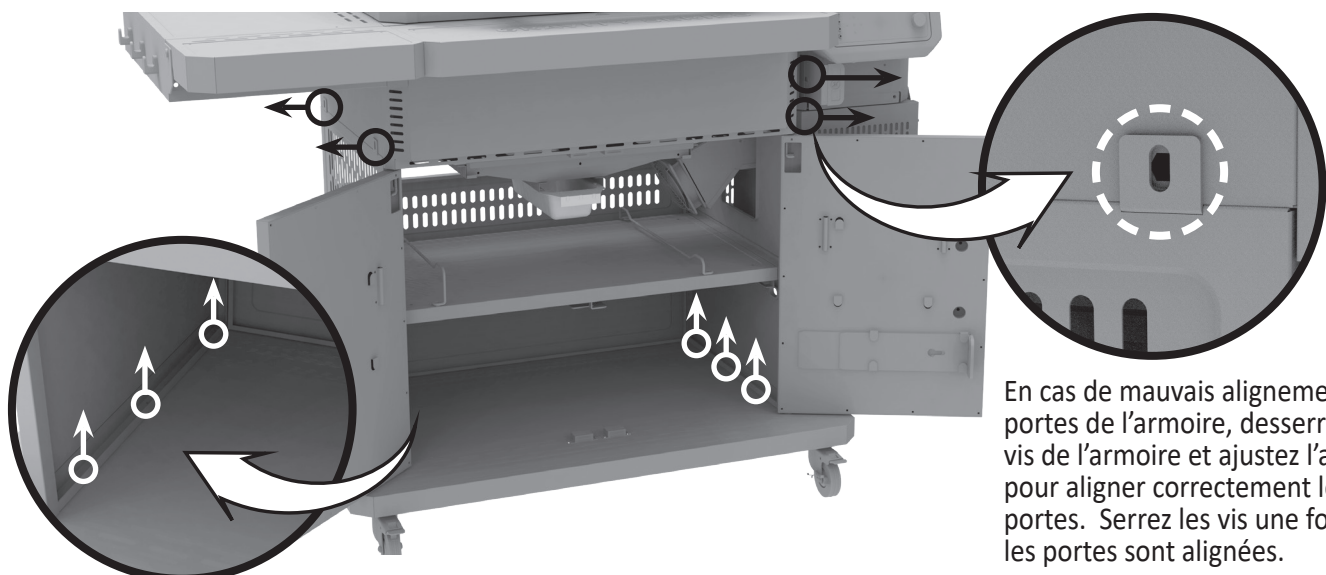


PLAQUE DE CUISSON ET FOUR À PIZZA VENDUS SÉPARÉMENT.

REMARQUE :

AVERTISSEMENT! NE rangez PAS de matières combustibles sous le barbecue ou dans l'armoire du barbecue. Les cendres chaudes peuvent tomber derrière l'armoire du barbecue. Faites attention.

RÉGLAGE DES PORTES DE L'ARMOIRE



En cas de mauvais alignement des portes de l'armoire, desserrez les vis de l'armoire et ajustez l'armoire pour aligner correctement les portes. Serrez les vis une fois que les portes sont alignées.

Guide d'intégration

NOTES IMPORTANTES POUR L'INSTALLATION :

Reportez-vous à la table des dégagements lorsque vous installez votre appareil Gravity Series™ 1150 dans une cuisine extérieure intégrée. Consultez les services locaux de réglementation de la construction ou l'entrepreneur local pour connaître les exigences de dégagement des barbecues à combustible solide de votre cuisine extérieure. Si le dégagement minimal du code de l'État ou de la municipalité est supérieur aux recommandations du fabricant, le dégagement minimal du code remplace celui du fabricant. Respectez l'exigence la plus stricte des deux exigences susmentionnées.

EXIGENCES RELATIVES À LA CUISINE :

SURFACE PLANE Assurez-vous d'installer le barbecue sur une surface plane.

MATÉRIAUX : Assurez-vous que les matériaux utilisés pour construire la cuisine intégrée sont non combustibles et peuvent supporter des températures élevées.

BASE : Ne mettez PAS le barbecue directement sur une surface combustible.

ACCÈS : Assurez-vous de pouvoir accéder au barbecue depuis l'avant et que le compartiment de rangement du chariot, la porte de la trémie et les glissières d'entrée ne sont pas bloqués. L'accès au cordon arrière NE DOIT PAS être pincé ou attaché. Ne laissez pas le cordon pendre sur des surfaces chaudes ou les toucher.

DÉGAGEMENT : Assurez-vous qu'il y a de l'espace entre les côtés de la cuisine intégrée et le barbecue. Le comptoir et l'armoire NE DOIVENT PAS être en contact direct avec le barbecue. Le couvercle ouvert NE DOIT PAS entrer en contact direct avec la cuisine intégrée.

Conformément aux normes de température des points de contact de la surface, le diagramme ci-dessous illustre l'espacement approprié autour du barbecue pour les applications intégrées. Tous les matériaux utilisés doivent être incombustibles.

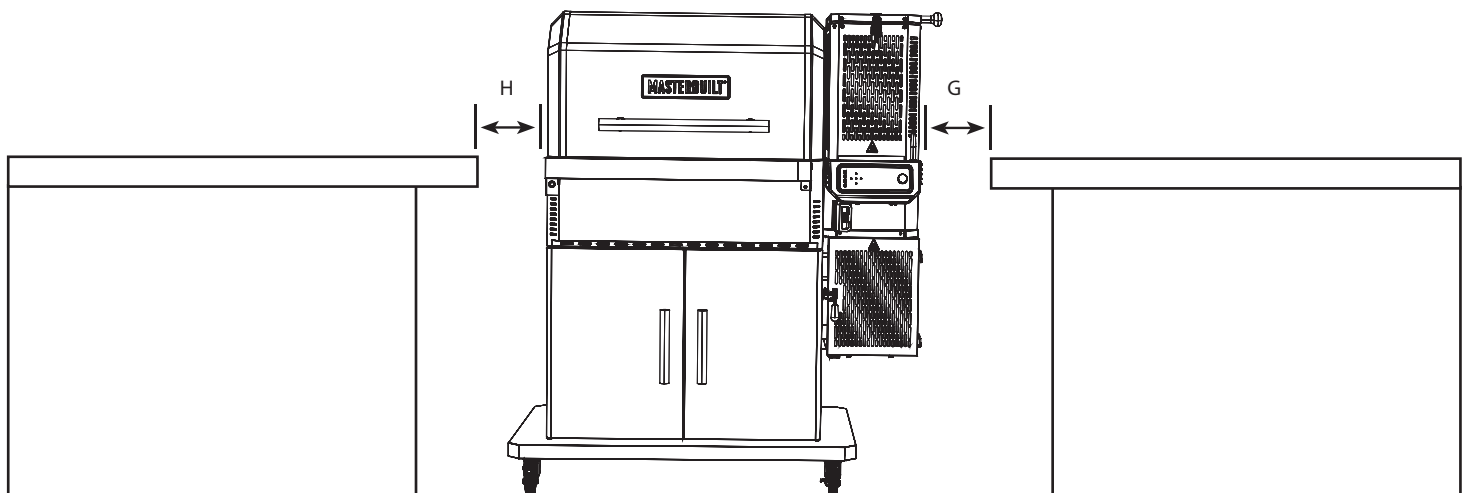
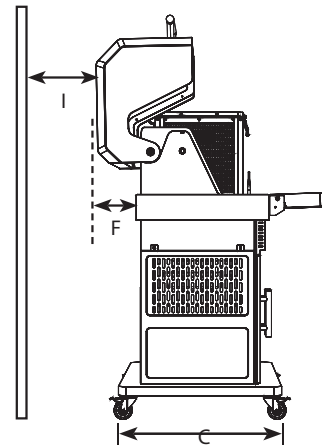
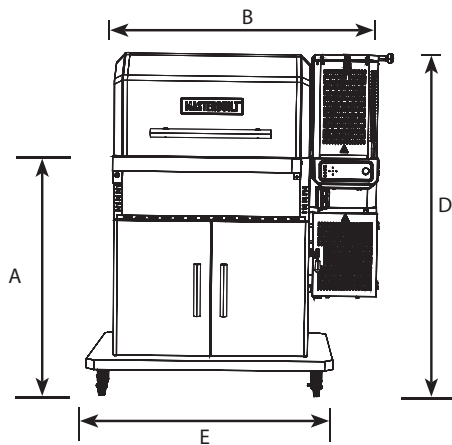
REMARQUE : Matériaux combustibles : gardez une distance minimale de 3 m (10 pi) entre l'arrière, les côtés et le dessus du barbecue et toute structure surélevée, un mur, une rampe ou d'autres matériaux de construction combustibles.

Dimensions du barbecue

A	922 mm/36,3 po
B	1032 mm/40,6 po
C	668,2 mm/26,5 po
D	1330 mm/52,3 po
E	957 mm/37,6 po
F	177,8 mm/7 po

Tableau des dégagements

	COMPTOIR EN PIERRE	COMPTOIR MÉTALLIQUE
G	254 mm/10 po	330,2 mm/13 po
H	254 mm/10 po	330,2 mm/13 po
I	152,4 mm/6 po	



Dépannage

SYMPTÔME	CAUSE	SOLUTION POSSIBLE
Le contrôleur n'est pas allumé.	L'alimentation n'est pas en marche.	Appuyez sur le bouton d'alimentation du contrôleur.
	L'appareil n'est pas branché.	Branchez le contrôleur sur le bloc d'alimentation et le bloc d'alimentation dans la prise murale.
	Le disjoncteur s'est déclenché.	Vérifiez le disjoncteur de la prise murale et réinitialisez-le s'il s'est déclenché.
	Le contrôleur ne fonctionne pas correctement.	Service à la clientèle de Masterbuilt https://www.masterbuilt.com/pages/support
Le ventilateur n'est pas en marche.	La température dans l'armoire a atteint la température réglée.	Une fois la température réglée atteinte, le ventilateur s'éteint. Lorsque la température tombe sous la température réglée, le ventilateur se remet en marche. Le ventilateur continue à s'ajuster automatiquement pour maintenir la température réglée.
	Le couvercle de la trémie est ouvert.	À des fins de sécurité, la trémie est dotée d'interrupteurs d'arrêt pour empêcher le ventilateur d'attiser les flammes lorsque ces portes sont ouvertes. La fermeture des portes enclenche les interrupteurs, ce qui permet au ventilateur de reprendre le fonctionnement normal.
	La porte à cendres est ouverte.	
	Ventilateur déconnecté du contrôleur.	Vérifiez que le raccord est bien inséré.
	Ventilateur déconnecté du faisceau de câbles.	
	« HOPR » s'affiche sur le contrôleur	Il y a un problème avec l'interrupteur de la trémie supérieure ou inférieure, contactez le service à la clientèle et demandez une nouvelle trousse d'interrupteur.
	Err 3	Voir ci-dessous.
La température du contrôleur est inexacte.	La sonde de température n'est pas bien branchée.	Vérifiez que le raccord est bien inséré.
	La sonde de température est sale.	Nettoyez bien la sonde de température.
Chauffage lent.	Les glissières de fermeture n'ont pas été enlevées.	Enlevez les glissières de fermeture.
	Quantité de charbon de bois basse.	Rajoutez du charbon de bois dans la trémie.
	Le couvercle du barbecue est ouvert.	Fermez le couvercle du barbecue.
	Le ventilateur n'est pas en marche.	Voir « Le ventilateur n'est pas en marche ».
Fuite excessive de fumée à partir de la trémie.	Desserrez le joint d'étanchéité du couvercle de la trémie.	Resserrez le loquet du couvercle de la trémie.
	Le joint d'étanchéité de la porte à cendres n'est pas étanche.	Resserrez le loquet de la porte à cendres.
Le contrôleur redémarre et passe en mode veille.	Charge électrostatique. Lorsque le produit est perturbé par une décharge électrostatique, le contrôleur peut redémarrer, puis entrer en mode veille.	L'utilisateur doit redémarrer le contrôleur pour rétablir le fonctionnement normal, ce phénomène est normal.
Err 1	La sonde de température n'est pas bien branchée.	1. Vérifiez que le raccord est bien inséré. 2. Débranchez le contrôleur de l'alimentation en électricité, attendez 10 secondes, puis rebranchez-le.
Err 2	Thermomètre à viande défectueux.	Service à la clientèle de Masterbuilt https://www.masterbuilt.com/pages/support
Err 3	Le barbecue a surchauffé.	1. Éteignez le barbecue. 2. Cherchez la cause de la surchauffe. • Feu de graisse. • Défaut du ventilateur. 3. Remettez le barbecue en marche.
Err 4	Le charbon de bois ne s'allume pas.	1. Assurez-vous que les glissières de fermeture ont été enlevées. 2. Assurez-vous que le couvercle de la trémie et la porte à cendres sont bien fermés. 3. Assurez-vous qu'il y a du charbon de bois. 4. Assurez-vous que la grille à cendres n'est pas bloquée par la cendre provenant d'utilisations antérieures. Secouez la grille pour permettre à tout le vieux charbon de tomber au travers. 5. Remettez le barbecue en marche.
Err 5	Température du thermomètre à viande supérieure à 148 °C (300°F).	1. En portant des gants de protection, retirez le thermomètre à viande du barbecue. 2. Débranchez-le du contrôleur. 3. Laissez refroidir le thermomètre à viande.
Mauvaise connexion WiFi.	Signal faible.	1. Inclinez l'antenne à l'arrière du contrôleur afin qu'elle soit orientée vers le sol.

GARANTIE LIMITÉE

Masterbuilt® garantit que tous ses produits sont exempts de défauts de matériel et de fabrication pendant 1 an à partir de la date d'achat d'origine s'ils sont assemblés de la manière appropriée, utilisés normalement et entretenus de la façon recommandée. La garantie de Masterbuilt® ne couvre pas la finition de peinture, car elle peut brûler au cours d'un usage normal. La garantie de Masterbuilt® ne couvre pas la rouille. Masterbuilt® exige une preuve d'achat lors de réclamations au titre de la garantie, par exemple un reçu.

RÉSIDENTS DE L'EUROPE SEULEMENT : Masterbuilt® garantit que tous ses produits sont exempts de défauts de matériel et de fabrication pendant 2 ans à partir de la date d'achat d'origine s'ils sont assemblés de la manière appropriée, utilisés normalement et entretenus de la façon recommandée

DÉBUT DE LA COUVERTURE DE GARANTIE

La couverture de garantie commence à la date de l'achat original et couvre seulement le propriétaire d'origine. Pour que cette garantie s'applique, vous devez enregistrer votre barbecue. Si un défaut de matériel ou de fabrication est découvert durant la période de garantie applicable dans des conditions normales d'utilisation et d'entretien, Masterbuilt® remplacera ou réparera, à son entière discrétion, le composant défectueux sans vous facturer de frais pour le composant lui-même. Cette garantie ne s'applique pas à la main-d'œuvre ou à tout autre coût associé à l'entretien, à la réparation ou au fonctionnement du barbecue. Masterbuilt® paiera tous les frais d'expédition des pièces sous garantie.

RÉSIDENTS DE L'AUSTRALIE ET DE LA NOUVELLE-ZÉLANDE UNIQUEMENT :

Nos produits sont accompagnés de garanties qui ne peuvent être exclues en vertu des lois australiennes ou néo-zélandaises sur la consommation. Vous avez droit au remplacement ou au remboursement des marchandises en cas de défaillance majeure et à une rémunération de toute autre perte ou de tout autre dommage raisonnablement prévisible. Vous avez également droit à la réparation ou au remboursement du produit si sa qualité n'est pas acceptable sans que la défaillance soit majeure.

CE QUI N'EST PAS COUVERT

Cette garantie ne s'applique pas aux dommages causés par l'abus du produit ou son utilisation à des fins autres que celles pour lesquelles le barbecue a été conçu, aux dommages causés par une mauvaise utilisation ou installation ou par un assemblage ou un entretien inadéquats, aux dommages causés par des accidents ou des catastrophes naturelles, aux dommages causés par des modifications ou des attachements non autorisés, ou aux dommages subis durant le transport. Cette garantie ne couvre pas les dommages résultant de l'usure normale d'utilisation (par exemple les rayures, les coups, les bosses et l'écaillage) ou les changements dans l'apparence du barbecue qui n'affectent pas sa performance. L'utilisation commerciale n'est pas recommandée avec les produits Masterbuilt, et cette garantie ne s'applique pas à une utilisation commerciale de quelque nature que ce soit. Cela concerne, par exemple, les restaurateurs, les traiteurs, les bouchers, les entreprises de location, les camions-restaurants et d'autres entités commerciales de ce genre. Cette garantie limitée exclusive et remplace toute autre garantie, écrite ou verbale, expresse ou implicite, incluant, notamment, la garantie de qualité marchande ou d'adaptation à un usage particulier. La durée de toute garantie implicite, incluant toute garantie implicite de qualité marchande ou d'adaptation à un usage particulier, est expressément limitée à la durée de la période de garantie pour le composant applicable. Le recours exclusif du propriétaire pour la violation de cette garantie limitée ou de toute garantie implicite sera limité au remplacement, tel que spécifié par la présente garantie. Masterbuilt ne sera tenu responsable en aucun cas des dommages particuliers, accessoires ou consécutifs. Cette garantie vous est fournie en plus de tous les droits et recours qui vous sont conférés par les lois et les règlements de protection des consommateurs. Cette garantie n'affecte en rien vos droits légaux en vertu des règlements sur les garanties légales dans votre État ou votre pays de résidence, y compris l'EU. Selon votre État ou votre pays de résidence, les limitations de la durée d'une garantie implicite ou les dommages-intérêts dont vous disposez peuvent ne pas être applicables à cette garantie.

ANNULATION DE LA GARANTIE

L'achat de tout produit Masterbuilt® chez un détaillant non autorisé annule la garantie. Un détaillant non autorisé est défini comme étant tout détaillant n'ayant pas été expressément autorisé par Masterbuilt® pour vendre les produits Masterbuilt®.

BESOIN D'AIDE? COMMUNIQUEZ AVEC NOUS

Nos conditions de garantie peuvent être modifiées de temps à autre. Pour obtenir une version à jour de notre garantie, rendez-vous sur le site www.masterbuilt.com/pages/warranty. Pour toute assistance ou pour demander une copie à jour de notre garantie, communiquez avec nous à l'adresse ci-dessous.

Masterbuilt®

Premier Specialty Brands, LLC

5367 New Peachtree Road

Suite 150

Chamblee, GA 30341

<https://www.masterbuilt.com/pages/customer-support>

Masterbuilt®

Kamado Joe Europe

Lange Voorhout 86,2514 EJ

La Haye, Pays-Bas

<https://international.masterbuilt.com/pages/customer-support>

Australie et Nouvelle-Zélande

Veillez prendre contact avec votre détaillant pour obtenir du soutien.

Masterbuilt®

Kamado Joe UK Limited

Cheyenne House

West Street, Farnham, GU9 7EQ

<https://international.masterbuilt.com/pages/customer-support>

MASTERBUILT®
SPANISH

SÓLO PARA USO EN EXTERIORES. NO PARA USO COMERCIAL.



ADVERTENCIA

- Este manual contiene información importante necesaria para el correcto ensamblaje y uso seguro del artefacto.
- Lea y siga todas las advertencias e instrucciones antes de ensamblar y usar el aparato.
- Conserve este manual para referencia en el futuro.



ADVERTENCIA

- ⚠️ ADVERTENCIA:** Este producto puede exponerlo a sustancias químicas como el DINP, que es conocido por el Estado de California por causar cáncer, y el monóxido de carbono, que es conocido por el Estado de California por causar defectos de nacimiento y otros daños reproductivos. Para mayor información, visite www.P65Warnings.ca.gov



PELIGRO DE MONÓXIDO DE CARBONO

Si no sigue estas instrucciones, podría producirse un peligro de incendio, explosión o quemadura, lo cual podría causar daños a la propiedad, lesiones personales o la muerte.

- Quemar trozos de madera, leños de madera, perlas de madera, carbón vegetal y propano produce monóxido de carbono que no tiene olor y puede causar la muerte.
- NO queme trozos de madera, leños de madera, perlas de madera, carbón vegetal o propano dentro de viviendas, vehículos, tiendas para camping, garajes o cualquier área cerrada.
- No use la parrilla en un espacio confinado y/o habitable, p. ej. en casas, tiendas, remolques, casas rodantes, botes. Peligro: Muerte por envenenamiento por monóxido de carbono.
- USE SOLAMENTE AL AIRE LIBRE donde está bien ventilado.
- **SIGA ESTAS PAUTAS PARA EVITAR QUE ESTE GAS INCOLORO E INODORO LO INTOXIQUE A USTED, A SU FAMILIA O A OTRAS PERSONAS.**
 - Identifique los síntomas de intoxicación por monóxido de carbono: dolor de cabeza, mareos, debilidad, náuseas, vómitos, somnolencia y confusión. El monóxido de carbono reduce la capacidad de la sangre de transportar el oxígeno. Los niveles bajos de oxígeno en la sangre pueden provocar pérdida de la consciencia y muerte.
 - Consulte con un médico si usted u otras personas desarrollan síntomas similares a una gripe o resfrío mientras cocina cerca de este artefacto. La intoxicación por monóxido de carbono, la cual puede confundirse con una gripe o resfrío, con frecuencia se detecta demasiado tarde.
 - El consumo de alcohol y medicinas aumenta los efectos de la intoxicación por monóxido de carbono.
 - *El monóxido de carbono es especialmente tóxico para la madre y el bebé durante el embarazo, los niños, los ancianos, los fumadores y las personas con problemas en la sangre o del sistema circulatorio, como asma o enfermedad cardíaca.*



ADVERTENCIAS Y SALVAGUARDAS IMPORTANTES



LEA TODAS LAS INSTRUCCIONES

- No deje la parrilla desatendida.
- El ahumador es solo para uso CASERO en exteriores.
- ¡No usar en interiores!
- Use solamente carbón para combustible.
- Siempre use la parrilla en conformidad con todos los códigos contra incendios locales, estatales y federales aplicables.
- Puede resultar un daño potencial a la parrilla o un daño al usuario si no se siguen las advertencias.
- Nunca lo use dentro de áreas cerradas como patios, garajes, edificios o tiendas.
- Nunca lo use en vehículos recreativos o botes.
- Nunca opere la parrilla bajo ninguna construcción aérea, como cubiertas de techos, porches de autos, toldos o voladizos. (VER REQUISITOS DE PROXIMIDAD ESTRUCTURAL)
- Mantenga el área alrededor del aparato despejada y libre de materiales combustibles, como gasolina y otros vapores y líquidos inflamables.
- Use la parrilla sobre una superficie no combustible y estable tal como tierra, concreto, ladrillo o piedra. Mejor no utilizar una superficie de asfalto (bituminosa) para este propósito.
- No use la parrilla en superficies de madera o inflamables.
- La parrilla DEBE estar sobre el suelo. No coloque la parrilla en mesas o mostradores. NO mueva la parrilla por superficies desniveladas.
- La parrilla solo debe deslizarse sobre una superficie lisa.
- La parrilla nunca debe deslizarse escaleras arriba/abajo o por superficies desiguales.
- Nunca utilice la parrilla como un calentador (LEER PELIGRO DE MONÓXIDO DE CARBONO).
- Nunca use el aparato para ninguna otra cosa que no sea su propósito intencionado. Esta parrilla NO es para uso comercial.
- Conserve un extintor de incendios accesible en todo momento mientras opere la parrilla.



ADVERTENCIAS Y SALVAGUARDAS IMPORTANTES



- Cuando cocine con aceite o grasa, tenga un extintor tipo BC o ABC a disponibilidad.
- En caso de un incendio de aceite o grasa, no intente extinguirlo con agua. Llame inmediatamente al departamento de bomberos. En ciertos casos, un extintor tipo BC o ABC puede contener el incendio.
- Antes de cada uso, verifique todas las tuercas, tornillos y pernos para asegurarse que estén firmes y asegurados.
- El uso de alcohol y de medicamentos con o sin receta pueden obstaculizar la habilidad del usuario de ensamblar u operar correctamente la parrilla.
- Mantenga a los niños y mascotas lejos de la parrilla en todo momento. NO permita que los niños usen la parrilla. Es necesaria una supervisión cercana cuando haya niños o mascotas en el área donde se usa la parrilla.
- El artefacto no está previsto para ser utilizado por personas (incluidos los niños) con capacidades físicas, sensoriales o mentales reducidas, ni por personas que no tengan ninguna experiencia o conocimiento, a menos que se les supervise o instruya.
- El artefacto no está previsto para ser utilizado por niños mayores de 8 años y personas con capacidades físicas, sensoriales o mentales reducidas, ni por personas que no tengan ninguna experiencia o conocimiento, a menos que se les supervise o instruya.
- NO permita que nadie realice actividades alrededor de la parrilla durante o después de su uso hasta que se haya enfriado.
- NO choque o golpee la parrilla para evitar lesiones personales, daños a la parrilla o derrames/salpicaduras del líquido de cocción caliente.
- Se debe usar extrema precaución cuando se mueva un artefacto que contenga aceite caliente u otros líquidos calientes.
- Nunca mueva la parrilla cuando esté en uso. Deje que la parrilla se enfríe completamente (por debajo de los 45 °C (115 °F) antes de moverla o guardarla.
- La parrilla está CALIENTE mientras está en uso y permanecerá CALIENTE por un cierto período de tiempo posterior y durante el proceso de enfriamiento. Tenga PRECAUCIÓN. Use guantes/mitones de protección.
- No toque las superficies CALIENTES. Use las asas o las perillas.
- Nunca use recipientes de vidrio, plástico o cerámica en el ahumador. Nunca coloque utensilios vacíos en la parrilla mientras esté en uso.
- No se recomienda usar accesorios adicionales no suministrados por Masterbuilt® ya que estos PODRÍAN causar lesiones.
- No almacene la parrilla con carbón o cenizas calientes dentro de la parrilla o de la tolva. Almacene únicamente cuando el fuego esté totalmente apagado y todas las superficies estén frías.
- Los protectores de calor de la parrilla y la tolva están CALIENTES mientras están en uso y permanecerán CALIENTES por un cierto período de tiempo y durante el proceso de enfriamiento. Tenga PRECAUCIÓN. Use guantes/mitones de protección.
- Tenga cuidado cuando retire los alimentos de la parrilla. Todas las superficies están CALIENTES y pueden causar quemaduras. Use guantes/mitones de protección o herramientas de cocción resistentes para protegerse de las superficies calientes o las salpicaduras de los líquidos de la cocción.
- La parrilla está caliente durante su uso. Para evitar quemaduras, mantenga el rostro y cuerpo lejos de la(s) puerta(s) y ductos. Se expelen vapor y aire caliente durante el uso.
- El protector térmico de la tolva, la tapa y el pestillo de la tolva, la puerta de la tolva de cenizas y el pestillo están CALIENTES mientras la parrilla está en uso y durante el enfriamiento. Utilice guantes de protección cuando trabaje con estos componentes o cerca de ellos.
- La parrilla tiene una llama abierta. Mantenga sus manos, cabello y rostro lejos de la llama. NO se incline sobre la parrilla mientras la esté encendiendo. El cabello y la ropa sueltos pueden incendiarse.
- NO obstruya el flujo de combustión y ventilación.
- No cubra las rejillas de cocción con papel aluminio. Esto atraparé el calor y podría causar daños a la parrilla.
- Nunca desatienda el carbón o las cenizas CALIENTES.
- No retire la bandeja para cenizas mientras las cenizas y el carbón estén CALIENTES.
- Mantenga sus manos, cabello y rostro lejos del carbón ardiendo. Tenga cuidado con los cabellos y la ropa sueltos durante la operación ya que pueden incendiarse.
- Use guantes protectores cuando manipule esta parrilla o cuando trabaje con fuego. Use guantes protectores o herramientas de cocina largas y robustas cuando agregue madera o carbón.
- Nunca use líquido de encendido de carbón, gasolina, alcohol u otros líquidos altamente volátiles para encender el carbón vegetal. Estos fluidos pueden explotar causando lesiones o la muerte. Siga siempre las instrucciones de encendido específicas para esta parrilla.
- Nunca llene demasiado la tolva de carbón. Esto puede ocasionar lesiones graves así como dañar la parrilla.
- Deseche las cenizas frías colocándolas en papel aluminio, remojándolas en agua y desechándolas en un contenedor no combustible.
- PRECAUCIÓN: Para reducir el riesgo de descarga eléctrica, conserve seco el cable de extensión y fuera de la tierra.
- PRECAUCIÓN: Para reducir el riesgo de descarga eléctrica, no sumerja el cable, enchufe o panel de control en agua u otro líquido.
- ADVERTENCIA: Riesgo de descarga eléctrica. Instálelo sólo en un receptáculo GFCI Clase A cubierto que tenga una caja resistente a la intemperie con la tapa del enchufe de fijación insertada o retirada.
- La parrilla sólo debe usarse con una toma de corriente cubierta, nominal, para exteriores y resistente a la intemperie.
- ADVERTENCIA: No debe utilizarse con receptáculos que sólo son resistentes a la intemperie cuando el receptáculo está cubierto (la tapa de la clavija de fijación no está insertada y la tapa del receptáculo está cerrada).
- Cuando use aparatos eléctricos, siempre se debe seguir las precauciones básicas de seguridad, incluyendo las siguientes:
 1. No enchufe el aparato hasta que esté completamente ensamblado y listo para usarse.
 2. Use únicamente un tomacorrientes eléctrico puesto a tierra aprobado.
 3. No use el aparato durante una tormenta eléctrica.
 4. No exponga el aparato a la lluvia o al agua en ningún momento.
- Se debe usar cables de extensión para exteriores, los cuales deben llevar una marca del sufijo “W”, además de la leyenda “Apropiado para uso con aparatos de exteriores”.



ADVERTENCIAS Y SALVAGUARDAS IMPORTANTES



- El cable de extensión debe ser uno de tipo 3 puesto a tierra.
- No opere ningún ahumador con un cable o enchufe dañado, o si el ahumador se malogra o se ha dañado de alguna manera. Si el cable de alimentación está dañado, debe reemplazarlo el fabricante, su agente de servicios o personas similarmente calificadas para evitar un peligro.
- Se pueden usar cables de extensión si se tiene cuidado en su uso.
- Si se usa un cable de extensión asegúrese que:
 1. La calificación eléctrica marcada del cable de extensión debe tener por lo menos la misma calificación eléctrica que el aparato; y
 2. El cable debe acomodarse de tal forma que no cuelgue del mostrador o de la mesa, de donde pueda ser tirado por los niños o donde sea objeto de tropiezo inintencional.
- No permita que el cable esté colgando o tocando superficies calientes.
- No lo coloque encima o cerca a una hornilla eléctrica o de gas, o en un horno calentado.
- Para desconectar, apague el controlador en OFF, luego retire el enchufe del tomacorriente.
- Desenchufe el enchufe del tomacorriente cuando no esté en uso y antes de la limpieza. Deje que el aparato se enfríe completamente antes de añadir o retirar componentes internos.
- No limpie este producto con un rociador de agua o producto similar.
- No abra nunca la tolva después del arranque inicial o durante el uso. Si es necesario recargar carbón durante su uso, siga las instrucciones de recarga específicas para esta parrilla y utilice siempre guantes protectores.
- Nunca opere la parrilla si la sonda de temperatura ha sido retirada. Esto puede hacer que la parrilla se sobrecaliente y causar lesiones personales graves y/o daños a la parrilla.
- Cierre las correderas de admisión de calor y aire después de cada uso.
- Abra las correderas de admisión de calor y aire antes de cada uso.
- Nunca haga funcionar la parrilla con las correderas de admisión de calor y aire en la posición cerrada. Esto puede dañar la parrilla.
- Este dispositivo cumple con la(s) norma(s) RSS exenta de licencia de Industry Canada: La operación está sujeta a las siguientes dos condiciones:
 1. Este dispositivo no puede causar interferencias, y
 2. Este dispositivo debe aceptar cualquier interferencia, incluyendo interferencias que puedan causar una operación indeseada del dispositivo.
- Este equipo cumple con los límites de exposición a la radiación IC establecidos para un entorno no controlado. Este equipo debe instalarse y utilizarse con una distancia mínima de 20 cm entre el radiador y su cuerpo.



REQUERIMIENTOS ELÉCTRICOS



- Suministro de energía (EE. UU./CA/MÉX): 100-240VAC, 50/60HZ, 0.5A, 18W
- Suministro de energía (EU/UK): 100-240VAC, 50/60HZ, 0.5A, 18W
- Suministro de energía (AUS/NZ): 100-240VAC, 50/60HZ, 0.6A, 24W
- Producto: 12V/1.5A



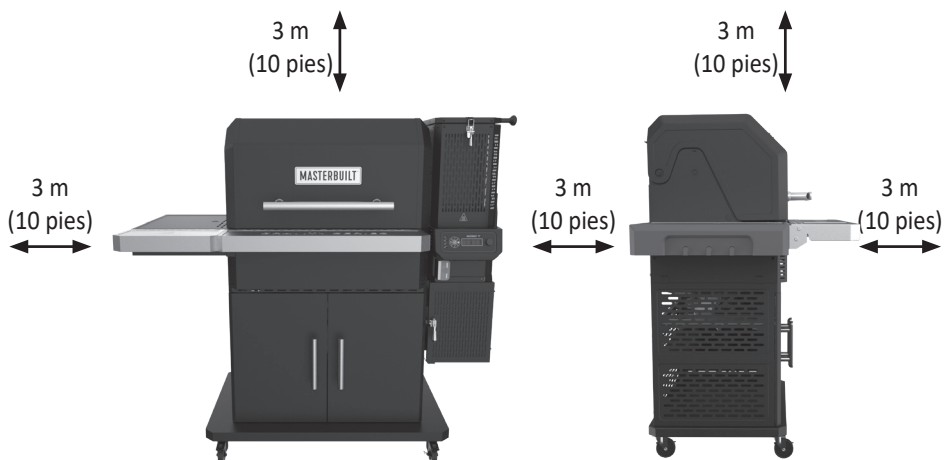
REQUISITOS DE PROXIMIDAD ESTRUCTURAL



Mantenga una distancia mínima de 3 m (10 pies) de la parte trasera, lateral y superior de la parrilla con las construcciones aéreas, paredes, rieles u otros materiales de construcción combustibles.

Mantenga una distancia mínima de 3 m (10 pies) de todos los materiales combustibles e inflamables tales como, madera, plantas, hierba, maleza, papel, gasolina o lona.

Este despeje ofrece un espacio adecuado para una adecuada combustión, circulación del aire y ventilación. La parrilla no debe utilizarse sobre materiales combustibles como cubiertas de madera u otros materiales combustibles.



NOTA:

Consulte la Guía incluida para conocer las distancias mínimas entre la parrilla y cualquier pared lateral o trasera incombustible.



ADVERTENCIA



El cable de alimentación eléctrico es un peligro de tropiezo.

GUARDE ESTAS INSTRUCCIONES

Este producto no viene con trozos de madera ni leños de madera.

Controlador

PANEL DE CONTROL



Encendido/Apagado/Pausa del controlador:

1. Presione el botón para encender el controlador.
2. Una única presión mientras está encendido = FUNCIÓN DE PAUSA
3. Presión larga mientras está encendido = Apagado

Clavijas de la sonda de temperatura



Función de Pausa:

La parrilla viene equipada con una función de PAUSA para ayudar mejor a mantener las temperaturas configuradas cuando se abre la tapa.

- Cuando se cocina a temperaturas superiores a los 260 °F (500 °C) asegúrese que la función de PAUSA esté habilitada ANTES de abrir la tapa de su parrilla.
- La función de Pausa detendrá el ventilador para garantizar que no se produzca un pico de temperatura al abrir la tapa.
- Para activar la función de PAUSA, presione el botón de encendido (el controlador mostrará HOLD).
- Para reanudar a mantenimiento de temperatura normal y para reactivar el ventilador, presione el botón de encendido otra vez.



Configuración de la temperatura:

1. Presione el botón.
2. Gire la perilla a la temperatura deseada.
3. Presione de nuevo el botón para configurar la temperatura (la temperatura se configurará automáticamente luego de 3 segundos).

Configure la temperatura de °F a °C:

1. Con la alimentación apagada, mantenga presionado el botón de configuración de la temperatura
2. Presione el botón de encendido/apagado.
3. La unidad se enciende con "F" o "C" parpadeando en la pantalla
4. Use la perilla para seleccionar la unidad de temperatura
5. Presione set temp. para confirmar



Configuración del tiempo:

• Temporizador de cuenta regresiva

1. Presione el botón.
2. Gire la perilla a las horas deseadas.
3. Presione el botón para configurar las horas.
4. Gire la perilla a los minutos deseados.
5. Presione el botón para configurar los minutos. El temporizador se pondrá en marcha.
6. Presione el botón para pausar y reanudar el temporizador.
7. Mantenga presionado el botón para reiniciar el temporizador.

• Temporizador de cuenta ascendente

1. Presione y sostenga el botón.
2. El temporizador comenzará a contar desde las 00:00. El temporizador contará por Minutos:Segundos y luego por Horas:Minutos.
3. Presione el botón para pausar y reanudar el temporizador.
4. Mantenga presionado el botón para reiniciar el temporizador.



Configuración de la sonda para carne

1. Presione el botón y gire la perilla para seleccionar la sonda para carne (MP1, MP2, MP3, MP4). Vuelva a presionar el botón.
2. Presione el botón de temperatura.
3. Gire la perilla a la temperatura deseada.
4. Presione de nuevo el botón de temperatura para ajustarla.
(Si la sonda para carne alcanza los 300°F, sonará una alarma y se deberá retirar la sonda para carne del calor para darle tiempo para enfriarse. La sonda para carne se dañará si se deja a esta temperatura).

* NOTA: El ícono de la sonda para carne parpadeará mientras esté en el modo de configuración.

5. Una vez alcanzada la temperatura ajustada, sonará la alarma. Presione cualquier botón para borrar.

Visualización de información en pantalla:

- Al girar la perilla, la pantalla avanzará por la temperatura de la parrilla, el temporizador y las sondas de carne; MP1, MP2, MP3 y MP4.

CONECTIVIDAD



1. Descargue la aplicación de Masterbuilt desde la Apple App Store o Google Play Store a su(s) dispositivo(s) inteligente(s). Para mayor información, visite: masterbuilt.com/pages/app-device-requirements.
2. Una vez completada la descarga, abra la aplicación de Masterbuilt y siga las instrucciones para emparejar su parrilla y su(s) dispositivo(s) inteligente(s).

Este dispositivo cumple con la Parte 15 de las Reglas de la FCC. La operación está sujeta a las siguientes dos condiciones:

1. Este dispositivo no puede causar interferencias dañinas y
2. Este dispositivo debe aceptar cualquier interferencia recibida, incluyendo interferencias que puedan causar una operación indeseada.

Advertencia de la FCC:

Advertencia: Los cambios o modificaciones a este ahumador no explícitamente aprobados por la parte responsable del cumplimiento, podría invalidar la autoridad del usuario de operar el equipo.

Declaración de la FCC:

Este equipo ha sido probado y se ha encontrado que cumple con los límites de un dispositivo digital Clase B, conforme a la Parte 15 de las Reglas de la FCC. Estos límites han sido diseñados para ofrecer una protección razonable contra la interferencia perjudicial en una instalación residencial. Este equipo genera, usa y puede irradiar energía de radiofrecuencia y, si no se instala y usa en conformidad con las instrucciones, puede causar interferencias en las comunicaciones por radio.

Sin embargo, no hay garantía que la interferencia no vaya a ocurrir en una instalación en particular. Si este equipo causa interferencia dañina a la recepción de radio o televisión, lo que se puede determinar encendiendo y apagando el equipo, el usuario deberá intentar corregir la interferencia por medio de una de las siguientes medidas:

1. Reoriente o reubique la antena receptora.
2. Aumente la separación entre el equipo y el receptor.
3. Conecte el equipo a un tomacorriente en un circuito diferente del de donde está conectado el receptor.
4. Consulte con el representante o con un técnico experimentado con radio o TV si necesita ayuda.

Nota: Si se pierde la conexión, el ahumador continuará según lo programado. El ahumador puede ser operado desde el panel de control si el emparejamiento o la conexión fallan.

Este dispositivo contiene un transmisor/receptor exento de licencia que cumple con el RSS de exención de licencia de la innovación, la ciencia y el desarrollo económico de Canadá. La operación está sujeta a las siguientes dos condiciones:

- 1) Este dispositivo no puede causar interferencias dañinas.
- 2) Este dispositivo debe aceptar cualquier interferencia, incluyendo interferencias que puedan causar una operación indeseada del dispositivo.

Este equipo debe instalarse y usarse conforme a las instrucciones suministradas y la(s) antena(s) utilizada(s) para este transmisor debe(n) instalarse para proporcionar una distancia de separación de al menos 20 cm de todas las personas y no debe(n) colocarse ni funcionar junto con ninguna otra antena o transmisor. Los usuarios finales y los instaladores deben recibir las instrucciones de instalación de la antena y las condiciones de funcionamiento del transmisor para cumplir con la normativa sobre exposición a RF.

Advertencia de la IC:

Este transmisor no debe colocarse ni funcionar junto con ninguna otra antena o transmisor. Este equipo debe instalarse y utilizarse con una distancia mínima de 20 centímetros entre el radiador y su cuerpo.

Transmisor inalámbrico:

Características del transmisor y del WiFi = RF OdBM / 2412-2484 MHz

Instrucciones de operación

CURADO PREVIO

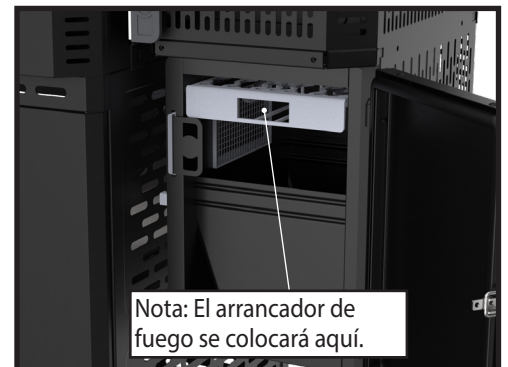
El curado previo hará que su parrilla se deshaga de las sustancias químicas y aceites dejados por el proceso de fabricación, permitiendo que se quemen y desvanezcan. **CURE PREVIAMENTE SU PARRILLA ANTES DEL PRIMER USO.**

1. Llene la tolva con carbón vegetal aproximadamente 1/4-1/2 de su capacidad.
2. Ponga en marcha su parrilla siguiendo las instrucciones de ARRANQUE y configure la temperatura a 121 °C (250°F) por 60 minutos.
3. Configure la temperatura a 204°C (400°F) por 30 minutos.
4. Apague la parrilla siguiendo las instrucciones de APAGADO.
5. Deje que la parrilla se enfríe **COMPLETAMENTE**.
6. Repita los pasos 3-6 a 177 °C (350°F).

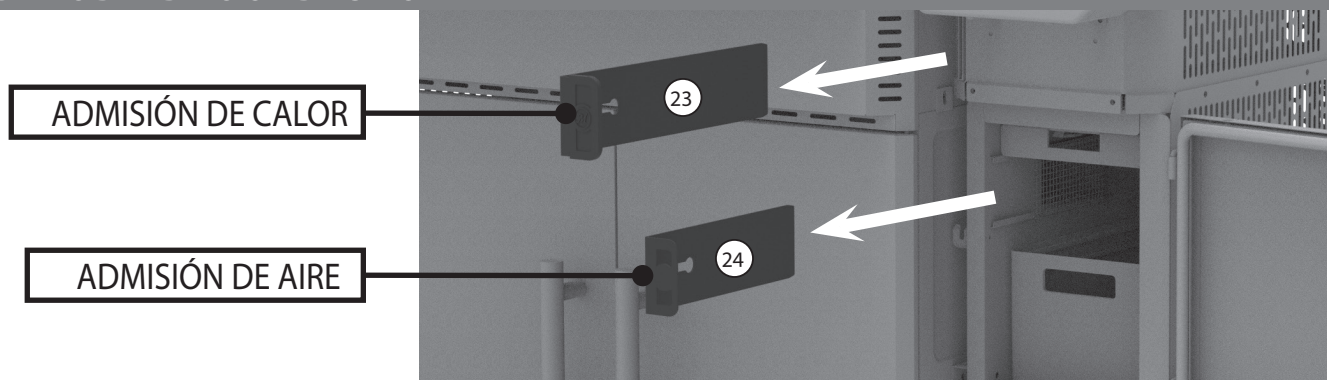
Un curado frecuente evita el óxido. Si aparece óxido, limpie con un cepillo de acero, aplique margarina y caliente como se indica anteriormente.

ARRANQUE

1. **RETIRE** los deslizadores de admisión de calor y aire.
2. Abra la tapa y la puerta de cenizas de la tolva.
 - Hay un interruptor de seguridad en cada una de estas puertas que evitará que el ventilador funcione cuando las puertas se abran.
 - Si permanece carbón de una cocción anterior, sacuda la rejilla de carbón para asegurarse que todas las cenizas caigan a través de la bandeja de cenizas.
 - Descarte cualquier ceniza de la bandeja de cenizas.
3. Llene la tolva con carbón.
 - Aproximadamente 8 kgs. (18 lbs.) de briquetas de carbón.
 - Aproximadamente 5.5 kgs. (12 lbs.) de carbón en bloques.
 - **Nunca use carbón de encendido veloz o líquido encendedor.**
 - Si el carbón se escurra a través de la rejilla para el carbón hacia la bandeja de cenizas, retírelo antes de arrancar.
4. Coloque el arrancador de fuego en la rejilla para el carbón, enciéndalo y espere 1-2 minutos para asegurar que prenda fuego.
 - Use un bloque de arrancador de fuego seguro para alimentos o un papel/papel de cocina retorcido.
 - Coloque la rejilla de carbón en las barras de soporte del arrancador de fuego.
 - Tenga precaución y use guantes de protección.
 - Encienda con un fósforo o encendedor.
5. Encienda el controlador y configure la temperatura deseada.
 - Encienda el arrancador de fuego antes de configurar la temperatura.
 - Espere 1-2 minutos después de encender el arrancador de fuego para asegurar que esté completamente encendido.
6. Espere que la parrilla alcance la temperatura configurada deseada.
 - La parrilla debe precalentarse en unos 15 minutos.



CORREDERAS DE ADMISIÓN DE CALOR Y AIRE



Instrucciones de operación

RECARGA

Si es necesario rellenar la tolva durante la cocción, siga las instrucciones de recarga segura que se indican a continuación.

1. NO rellene el carbón cuando la parrilla esté a más de 121 °C (250 °F).
2. Ponga en pausa el ventilador antes de abrir la tapa de la tolva o la puerta de cenizas.
3. El ventilador se apagará cuando abra la tapa de la tolva o la puerta de cenizas. Esta es una característica de seguridad de la parrilla.
4. **TENGA EXTREMA PRECAUCIÓN:** Cuando se abra la tapa de la tolva, la llama se elevará desde la parte superior de la tolva como una antorcha. Cerrar la tapa de la tolva y la puerta de cenizas regresará la llama volverá al nivel normal de funcionamiento.
5. Abra la tapa de la tolva y use guantes de protección. La tapa de la tolva estará caliente.
6. Añada rápidamente más carbón a la tolva. Se elevará una llama desde la tolva luego de un corto espacio de tiempo; le recomendamos que rellene lo más rápido posible.
7. Cierre la tapa de la tolva.

SABOR A AHUMADO

Mezcle trozos de madera en la tolva con carbón vegetal. **NOTA:** Nunca use más de 0.68 kg (1.5 lbs) de trozos de madera por toda la tolva.

APAGADO

1. Apague el controlador y desenchufe la parrilla.
2. Cierre la tapa de la parrilla, la tapa de la tolva, inserte la corredera de la puerta del cenicero y cierre la puerta.
3. Cierre la corredera de calor superior y la entrada de aire.
 - La parrilla ha sido diseñada para privar al carbón de oxígeno cuando se apaga. Esto permite guardar un porcentaje del carbón sin usar para la próxima cocción.
4. Si no se cierran las correderas cuando se apaga, se puede dañar la parrilla.
5. Siempre asegúrese que la parrilla esté fría al tacto antes de limpiarla, cubrirla y almacenarla.

Limpieza y mantenimiento

Para mantener su parrilla en las mejores condiciones, se requiere de limpieza y mantenimiento. La mejor manera de proteger su parrilla del clima, es con una cubierta para parrillas.

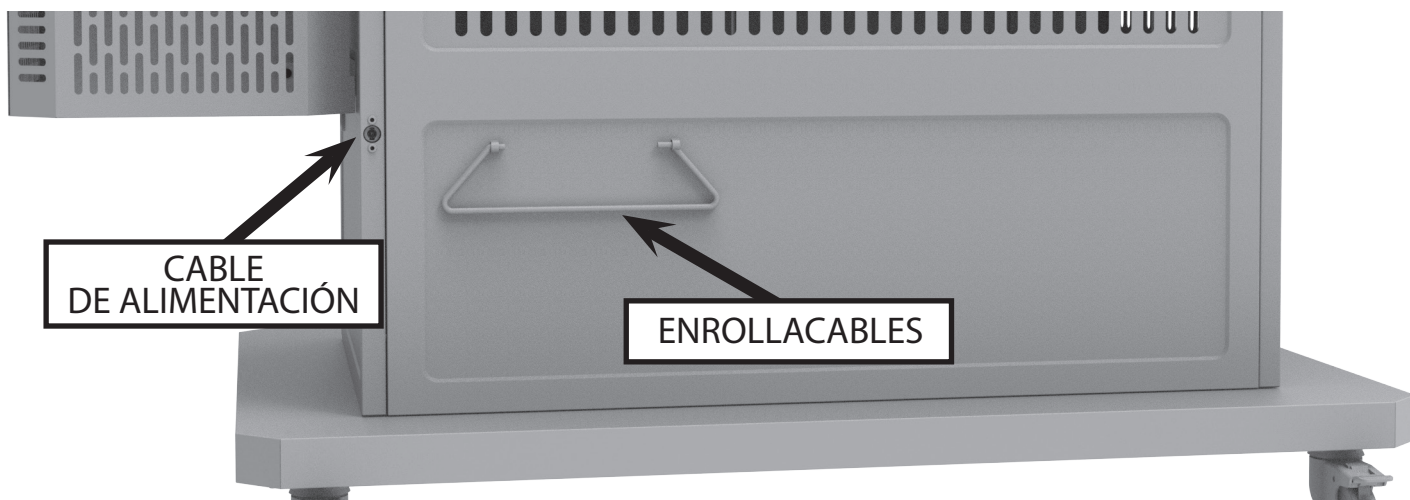
- SIEMPRE ASEGÚRESE QUE LA UNIDAD ESTÉ FRÍA AL TACTO ANTES DE LIMPIAR Y ALMACENAR.
- Inspeccione los accesorios y las partes ensambladas con regularidad para asegurarse que la parrilla esté en condiciones seguras de trabajo.
- Limpie la parrilla y las rejillas de cocción con un detergente de platos suave.
- Limpie la parte externa con un paño húmedo. NO utilice limpiador de hornos ni otros productos de limpieza. Asegúrese de secar exhaustivamente.
- Limpie la sonda de temperatura (en la imagen) periódicamente con detergente suave para vajilla con el fin de garantizar lecturas precisas de la temperatura de la parrilla. Asegúrese de secar exhaustivamente.
- Cuando las cenizas estén frías, limpie la bandeja de cenizas y el interior de la tolva inferior después de cada uso para eliminar la acumulación de cenizas, residuos y polvo.
- Siempre vacíe la bandeja para cenizas después de cada uso una vez que las cenizas se hayan enfriado completamente. Esto ayudará a prolongar la vida útil de la bandeja de cenizas.
- Deseche las cenizas frías colocándolas en papel aluminio, remojándolas en agua y desechándolas en un contenedor no combustible.
- Siempre cubra y guarde la parrilla fría en un ÁREA SECA y protegida. Almacene únicamente cuando el fuego esté apagado y todas las superficies estén frías.
- Almacene las sondas para carne en el interior del hogar.
- Cuando no use la parrilla con frecuencia, incluso si se usa una funda de parrilla, recuerde revisar su parrilla periódicamente para evitar una posible oxidación y corrosión debido a la acumulación de humedad.



Ajustes y consejos

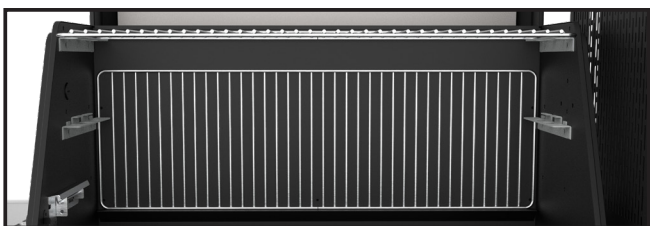
CABLE DE ALIMENTACIÓN

El cables de alimentación se enchufa en la parte posterior de su parrilla.



ALMACENAMIENTO DE LAS REPISAS DE CALENTAMIENTO

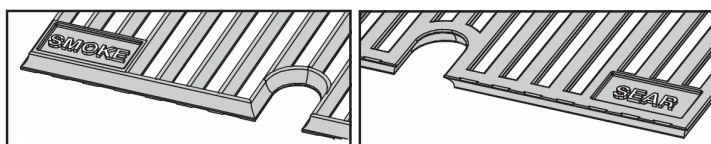
La rejilla para calentar está diseñada para guardarse detrás del soporte de la rejilla para calentar. Cuando no esté en uso, se colocará una rejilla calentadora detrás del soporte de la rejilla calentadora.



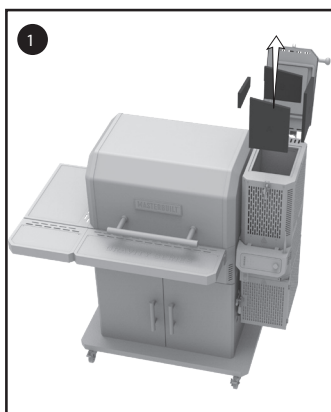
REJILLAS PARA AHUMAR Y SELLAR

Su parrilla cuenta con rejillas de cocción de hierro fundido de ahumado + sellado para ahumar a fuego lento o sellar a fuego alto. Sólo tiene que girar las rejillas hacia el lado que coincida con su método de cocción.

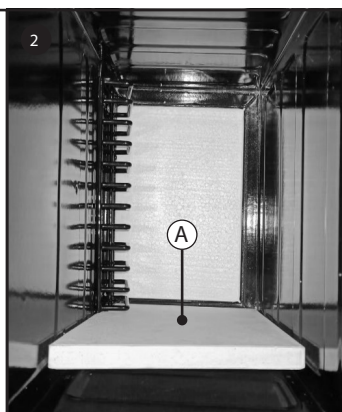
Nota: Nunca dé la vuelta mientras la parrilla esté encendida o caliente.



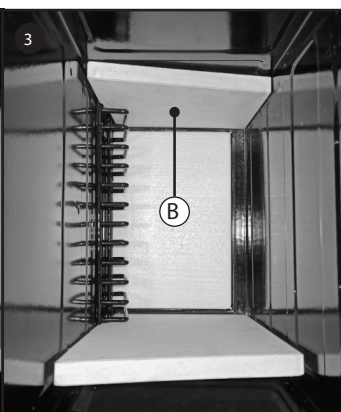
REEMPLAZO DE LOS LADRILLOS REFRACTARIOS



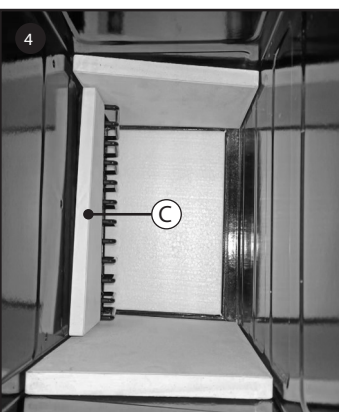
Retire los cuatro ladrillos refractarios del interior de la tolva.



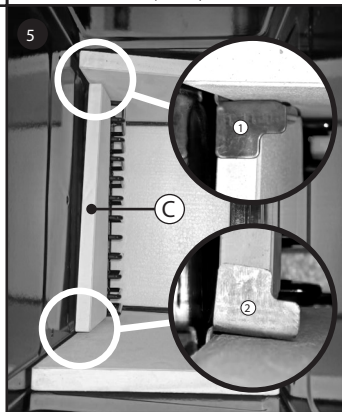
Reemplace el panel A.



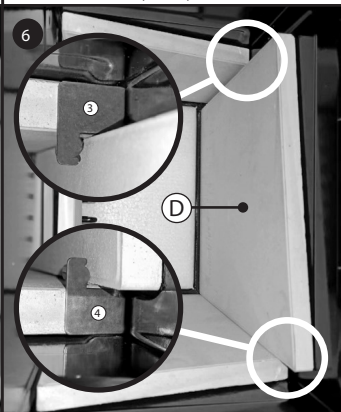
Reemplace el panel B.



Reemplace el panel C.



Agregue las abrazaderas 1 y 2.

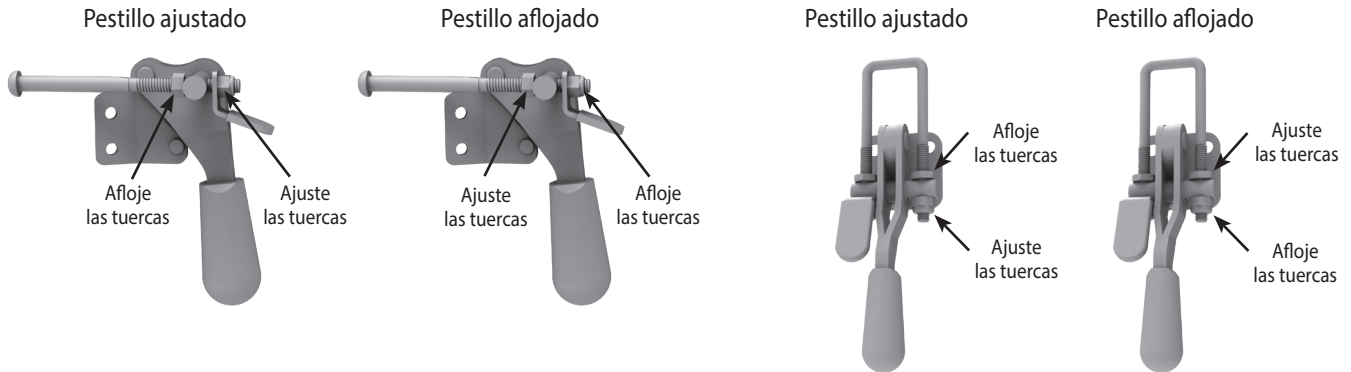


Reemplace el panel D. Agregue las abrazaderas 3 y 4.

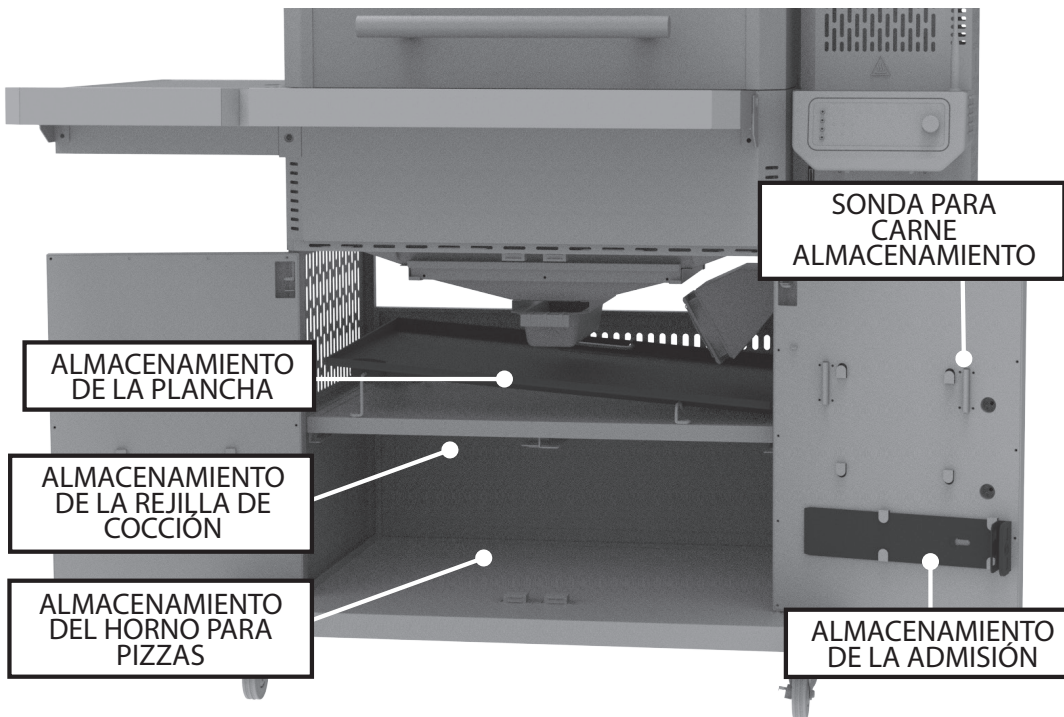
Ajustes y consejos

AJUSTE DEL PESTILLO

La tapa de la tolva y los pestillos de la puerta pueden requerir un ajuste para asegurar un sello apropiado y evitar una fuga excesiva de humo. Afloje los pestillos si necesitan una presión excesiva para cerrarse. Ajuste los pestillos ligeramente si hay una fuga excesiva de humo.



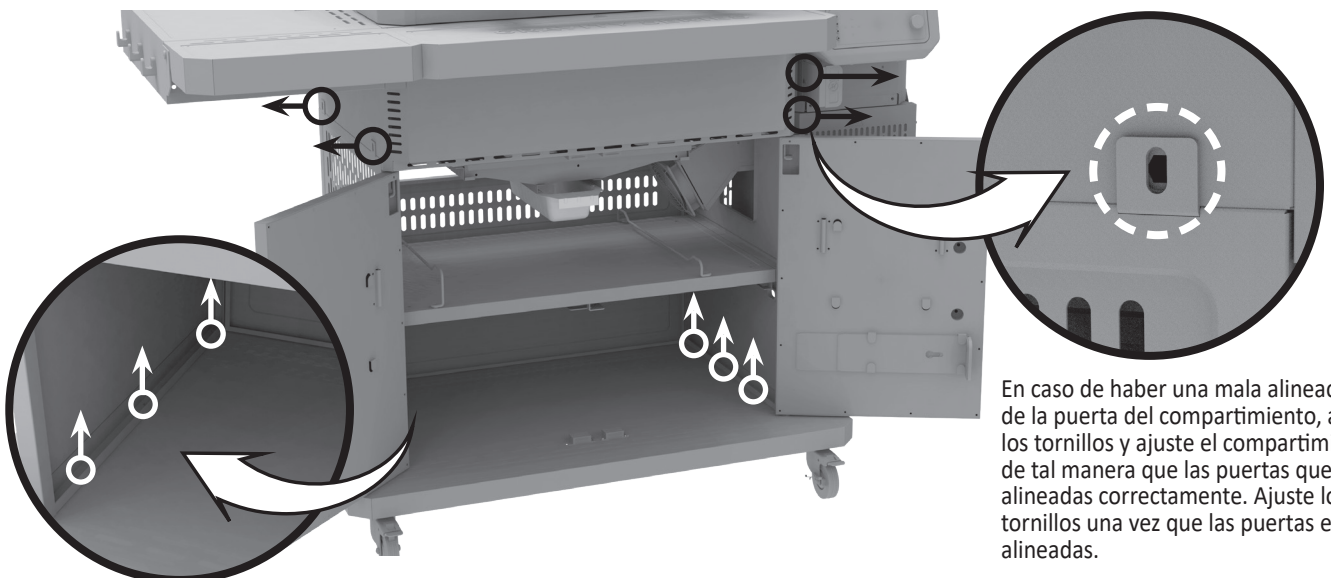
ALMACENAMIENTO DE ACCESORIOS



LA PLANCHA Y EL HORNO PARA PIZZAS SE VENDEN POR SEPARADO.

NOTA:
¡ADVERTENCIA! NO guarde materiales combustibles debajo de la parrilla o en el compartimento de la parrilla. La ceniza caliente puede alcanzar el compartimento de la parrilla. Tenga precaución.

AJUSTE DE LA PUERTA DEL COMPARTIMENTO



En caso de haber una mala alineación de la puerta del compartimento, afloje los tornillos y ajuste el compartimento de tal manera que las puertas queden alineadas correctamente. Ajuste los tornillos una vez que las puertas estén alineadas.

Guía incorporada

NOTAS IMPORTANTES SOBRE LA INSTALACIÓN:

Consulte la tabla de espacio libre cuando instale su serie Gravity™ 1150 en una cocina empotrada para exteriores. Consulte con su autoridad local de códigos de construcción o con el contratista local para ver los requisitos de espacio libre de la parrilla de combustible sólido de su cocina en exteriores. Si el espacio libre mínimo estatal o local es mayor que las recomendaciones de fabricación, entonces los códigos estatales y locales para los espacios libres mínimos prevalecen sobre las recomendaciones de fabricación. Use el mayor de los dos requisitos previamente mencionados.

REQUISITOS DE LA COCINA:

SUPERFICIE NIVELADA: Asegúrese que la parrilla se instale sobre una superficie nivelada.

MATERIALES: Asegúrese que la superficie usada para construir la cocina empotrada sea no combustible y que pueda soportar altas temperaturas.

BASE: NO coloque la parrilla directamente sobre una superficie combustible.

ACCESO: Asegúrese que exista un acceso frontal para que el almacenamiento del carro, la puerta de la tolva y los deslizadores de admisión no estén bloqueados. El acceso al cable trasero NO DEBE estar pellizcado ni atado. No permita que el cable esté colgando o tocando superficies calientes.

DESPEJE: Asegúrese que haya espacio entre los lados del empotrado y la parrilla. El mostrador NO DEBE entrar en contacto directo con la parrilla. La tapa abierta NO DEBE entrar en contacto directo con el empotrado.

Conforme a las normas de temperatura del punto de contacto de la superficie, el siguiente diagrama ilustra el espacio libre adecuado alrededor de la parrilla para aplicaciones empotradas. Todos los materiales usados deben ser no combustibles.

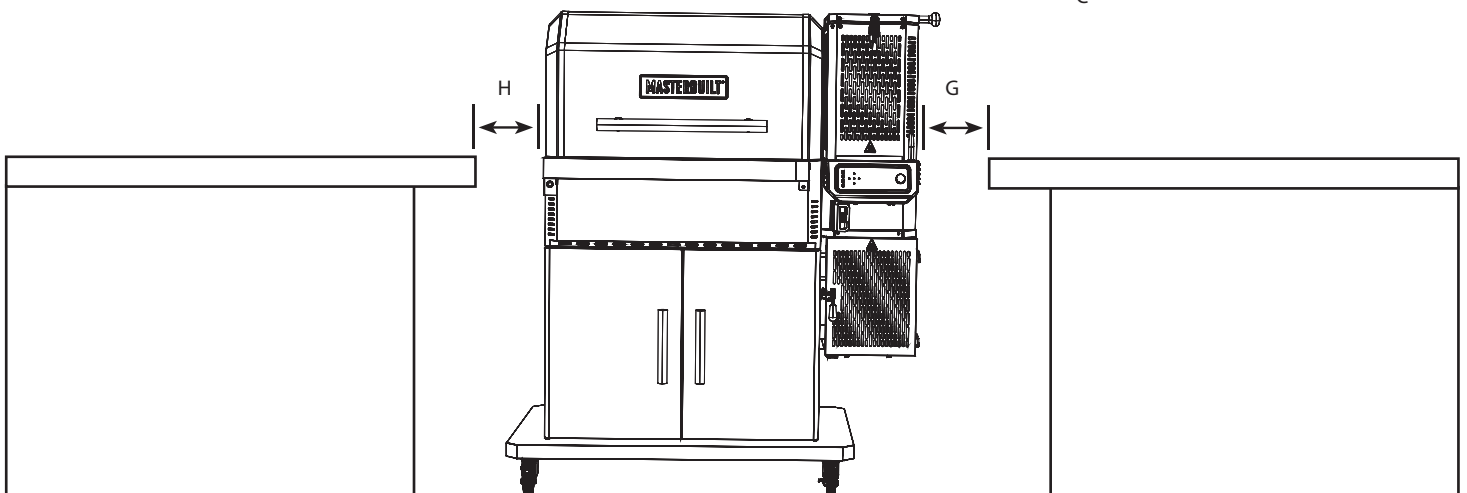
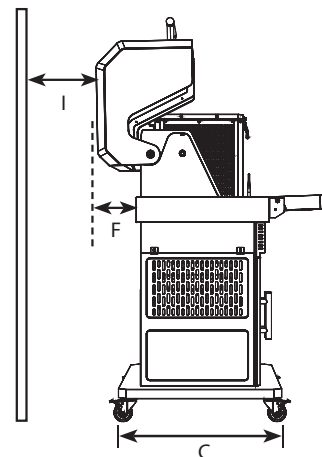
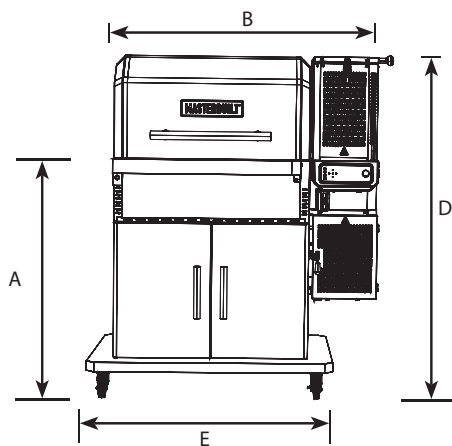
NOTA: El material combustible debe estar a una distancia mínima de 3 m (10 pies) de la parte trasera, lateral y superior de la parrilla con las construcciones aéreas, paredes, rieles u otros materiales de construcción combustibles.

Dimensiones de la parrilla

A	922 mm / 36.3 pulg
B	1032 mm / 40.6 pulg
C	668.2 mm / 26.5 pulg
D	1330 mm / 52.3 pulg
E	957 mm / 37.6 pulg
F	177.8 mm / 7 pulg

Tabla de espacio libre

	MESA DE PIEDRA	MESA DE METAL
G	254 mm / 10 pulg	330.2 mm / 13 pulg
H	254 mm / 10 pulg	330.2 mm / 13 pulg
I	152.4 mm / 6 pulg	



Detección y solución de problemas

PROBLEMA	CAUSA	SOLUCIÓN POSIBLE
Controlador no encendido.	La alimentación no está encendida.	Presione el botón de encendido/apagado en el controlador.
	No está enchufado.	Enchufe el controlador a la fuente de alimentación y ésta a la toma de corriente de la pared.
	El interruptor se ha desconectado.	Compruebe el disyuntor del tomacorriente de la pared y reajuste si se ha desconectado.
	Mal funcionamiento del controlador.	Servicio al Cliente de Masterbuilt https://www.masterbuilt.com/pages/support
El ventilador no está encendido.	La temperatura del gabinete ha alcanzado la temperatura configurada.	Una vez alcanzada la temperatura configurada, el ventilador se apagará. Una vez que la temperatura de la cabina caiga por debajo de la temperatura configurada, el ventilador se reiniciará. El ventilador continuará ajustándose automáticamente para mantener la temperatura establecida.
	Tapa de la tolva abierta.	Por seguridad, la tolva viene equipada con interruptores de desconexión para evitar que el ventilador avive el fuego cuando se abren estas puertas. Cerrar las puertas conectará los interruptores, permitiendo al ventilador continuar su normal funcionamiento.
	Puerta de cenizas abierta.	
	Ventilador desconectado del controlador.	Compruebe que la conexión esté bien asentada.
	Ventilador desconectado del mazo de cables.	
	Se muestra "HOPR" en el controlador.	Hay un problema con su interruptor superior o inferior de la tolva; contacte al servicio de atención al cliente y solicite un nuevo kit de interruptor.
Temperatura del controlador imprecisa.	Err 3	Ver a continuación.
	La sonda de temperatura no está completamente enchufada.	Compruebe que la conexión esté bien asentada.
Calentamiento lento.	La sonda de temperatura está sucia.	Limpie cuidadosamente la sonda de temperatura.
	Las correderas de cierre no se retiran.	Retire las correderas de cierre.
Humo excesivo que se escapa de la tolva.	Poco carbón.	Rellene la tolva con carbón.
	Tapa de la parrilla abierta.	Cierre la tapa de la parrilla.
	El ventilador no está encendido.	Ver "Ventilador no está encendido".
	Afloje el sello en la tapa de la tolva.	Ajuste el pestillo de la tapa de la tolva.
El controlador se reinicia e ingresa al modo de espera.	Afloje el sello de la puerta de cenizas.	Ajuste el pestillo de la puerta de cenizas.
	Carga electrostática. Cuando el producto se ve perturbado por una carga electrostática, el controlador puede reiniciarse y luego ingresar al modo de espera.	El usuario tiene que reiniciar el controlador para restaurar el funcionamiento normal, este fenómeno es normal.
Err 1	La sonda de temperatura no está completamente enchufada.	1. Compruebe que la conexión esté bien asentada. 2. Desconecte el controlador de la fuente de alimentación, espere 10 segundos y vuelva a conectarlo.
Err 2	Mal funcionamiento de la sonda de carne.	Servicio al Cliente de Masterbuilt https://www.masterbuilt.com/pages/support
Err 3	Parrilla sobrecalentada.	1. Apague la parrilla. 2. Compruebe la causa del sobrecalentamiento. • Incendio de grasa. • Mal funcionamiento del ventilador. 3. Reinicie la parrilla.
Err 4	El carbón no se enciende.	1. Asegúrese que las correderas de cierre hayan sido retiradas. 2. Asegúrese que la tapa de la tolva y la puerta de cenizas estén completamente cerradas. 3. Asegúrese que el carbón no esté vacío. 4. Asegúrese que las cenizas antiguas de usos anteriores no hayan obstruido la rejilla de las cenizas. Agite la rejilla para permitir que caiga todo el carbón residual a través de ella. 5. Reinicie la parrilla.
Err 5	Temperatura de la sonda de carne superior a 300 °F.	1. Usando guantes de protección, retire la sonda de carne de la parrilla. 2. Desenchufe el controlador. 3. Deje que la sonda de carne se enfríe.
Mala conexión Wifi	Señal débil.	1. Incline la antena de la parte posterior del controlador para que apunte al suelo.

GARANTÍA LIMITADA

Masterbuilt® garantiza que ninguno de sus productos presenta defectos de fabricación, ni de material ni de la mano de obra, si se los ensambla correctamente, se los utiliza de forma normal y se los cuida según las recomendaciones, durante un período de 1 año a partir de la fecha de compra original. La garantía de Masterbuilt® no cubre el acabado de la pintura ya que puede salirse durante el uso normal. La garantía de Masterbuilt® no cubre la oxidación. Masterbuilt® requiere el comprobante de compra para hacer un reclamo de la garantía, como por ejemplo, un recibo.

SÓLO PARA RESIDENTES EUROPEOS: Masterbuilt® garantiza que ninguno de sus productos presenta defectos de fabricación, ni de material ni de la mano de obra, si se los ensambla correctamente, se los utiliza de forma normal y se los cuida según las recomendaciones, durante un período de 2 años a partir de la fecha de compra original.

¿CUÁNDO COMIENZA LA COBERTURA DE LA GARANTÍA?

La cobertura de la garantía comienza en la fecha de compra original y cubre solamente al comprador original. Para que pueda aplicarse la garantía, debe registrar su parrilla. Si se descubre un defecto de material o de mano de obra durante el período de garantía correspondiente bajo uso y mantenimiento normal, Masterbuilt®, a su discreción, reemplazará o reparará el componente defectuoso sin costo alguno para usted, por otro componente. La presente garantía no se aplica a mano de obra u otros costos asociados con el servicio, reparación u operación de la parrilla. Masterbuilt® pagará todos los cargos de envío en las piezas bajo garantía.

SOLAMENTE PARA RESIDENTES DE AUSTRALIA Y NUEVA ZELANDA:

Nuestros productos vienen con garantías que no pueden excluirse bajo la Ley del consumidor australiana o neozelandesa. Tiene derecho a un reemplazo o reembolso por una falla importante y compensación por cualquier otra pérdida o daño previsible. Tiene derecho a que le reparen o reemplacen los productos si estos carecen de una calidad aceptable y si la falla no progresa hasta convertirse en una falla importante.

¿QUÉ COSAS NO ESTÁN CUBIERTAS?

La presente garantía no se aplica a daños causados por el uso o abuso del producto por motivos distintos a los previstos, daños causados por la falta del correcto uso, ensamblaje, mantenimiento o instalación, daños causados por accidentes o desastres naturales, daños causados por accesorios o modificaciones no autorizados o daños causados durante el transporte. La presente garantía no cubre daños de desgaste normal por el uso del producto (por ejemplo, rasguños, indentaciones, abolladuras y astillado) o cambios en la apariencia de la parrilla que no afecte su rendimiento. No se recomienda el uso comercial con el uso de los productos Masterbuilt, y esta garantía no se aplica al uso comercial de ningún tipo. Este uso, por ejemplo, es para dueños de restaurantes, empresas de buffets, carnicerías, empresas de alquiler, camiones de comida y otras entidades comerciales de este tipo.

La presente garantía limitada es exclusiva y reemplaza a cualquier otra garantía, escrita u oral, implícita o explícita, incluyendo sin limitaciones la garantía de comerciabilidad o idoneidad para un propósito particular. La duración de cualquier garantía implícita, incluyendo cualquier garantía implícita de comerciabilidad o idoneidad para un propósito particular se limita explícitamente a la duración del período de garantía para el componente correspondiente.

El único derecho exclusivo del comprador para el incumplimiento de la presente garantía limitada o cualquier garantía implícita debe estar limitado como se especifica en la presente al reemplazo. Masterbuilt, en ningún caso, será responsable por daños especiales, accidentales o derivados.

Esta garantía se le proporciona junto con todos los derechos y recursos que le confieren las leyes y regulaciones de protección al consumidor. Esta garantía no afecta en modo alguno sus derechos legales bajo las regulaciones de garantía estatutaria de su estado o país de residencia, incluyendo la UE. Dependiendo de su estado o país de residencia, las limitaciones en la duración de una garantía implícita o los daños disponibles para usted podrían no estar limitados por esta garantía.

¿QUÉ COSAS INVALIDAN LA GARANTÍA?

Adquirir cualquier producto Masterbuilt® a través de un distribuidor no autorizado invalida la garantía. Un distribuidor no autorizado se define como cualquier minorista al que Masterbuilt® no le haya concedido expresamente el permiso para vender productos Masterbuilt®.

¿NECESITA ASISTENCIA? CONTÁCTENOS

Nuestras condiciones de garantía pueden cambiar de vez en cuando. Para una versión actualizada de nuestra garantía, visite www.masterbuilt.com/pages/warranty. Para asistencia o para solicitar una copia actualizada de nuestra garantía, contáctenos en la dirección siguiente.

Masterbuilt®

Premier Specialty Brands, LLC

5367 New Peachtree Road

Suite 150

Chamblee, GA 30341

<https://www.masterbuilt.com/pages/customer-support>

Masterbuilt®

Kamado Joe Europa

Lange Voorhout 86,2514 EJ

Den Haag, Países Bajos

<https://international.masterbuilt.com/pages/customer-support>

Australia y Nueva Zelanda

Contacte a su distribuidor si desea asistencia.

Masterbuilt®

Kamado Joe UK Limited

Cheyenne House

West Street, Farnham, GU9 7EQ

<https://international.masterbuilt.com/pages/customer-support>

MASTERBUILT®