

MASTERBUILT®

Top Hopper Kit, GSGXT

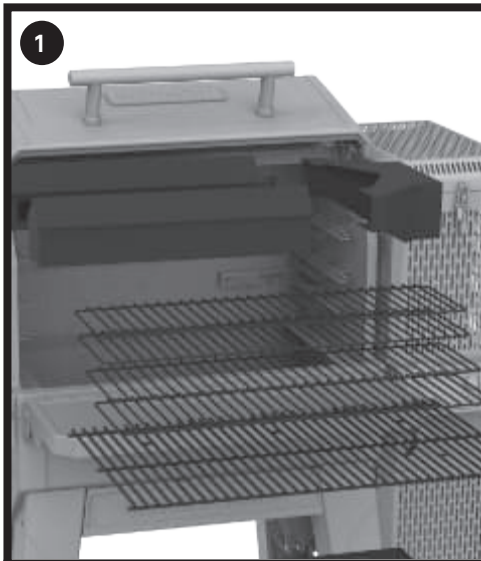
MB20041223, MB20043024



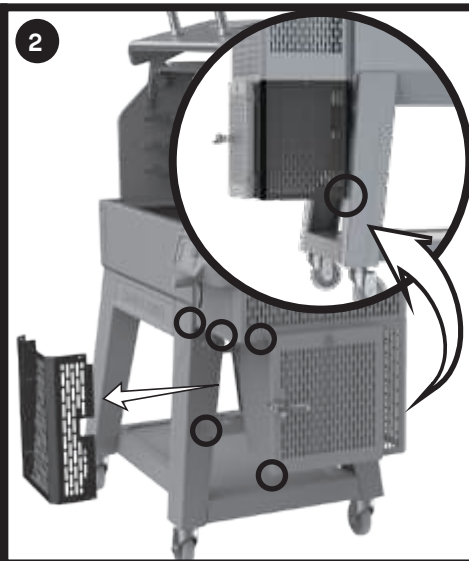
CAUTION

- Always remove plug from outlet before servicing your grill.
- Make sure your grill has fully cooled to avoid burns.
- Some components may have sharp edges. Use caution to avoid injury.

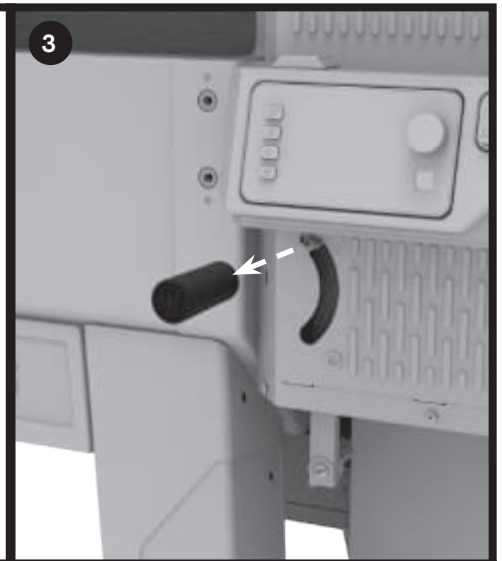
Note: Your grill may vary from images shown



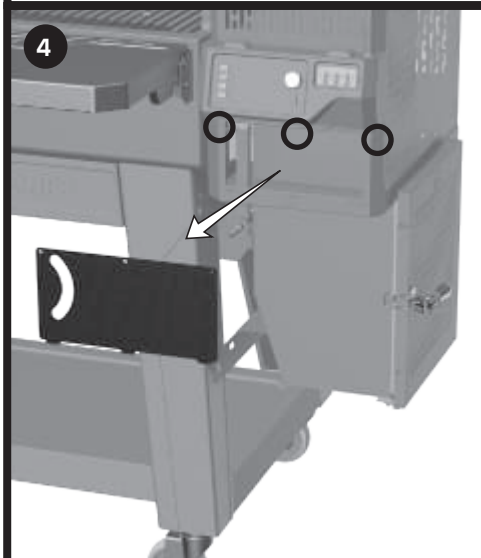
1
Remove: charcoal from hopper, cooking grates, warming rack, all 3 manifold pieces, ash tray, and any other accessories on the grill.



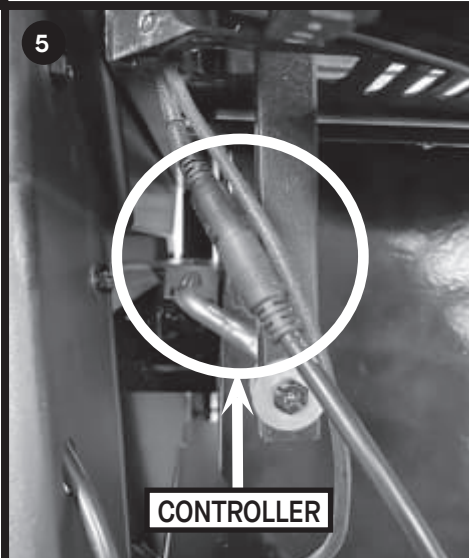
2
A) Remove the front hopper shroud.
B) Remove the hardware that connects the leg brace to the legs.
C) Remove the hopper ash door.



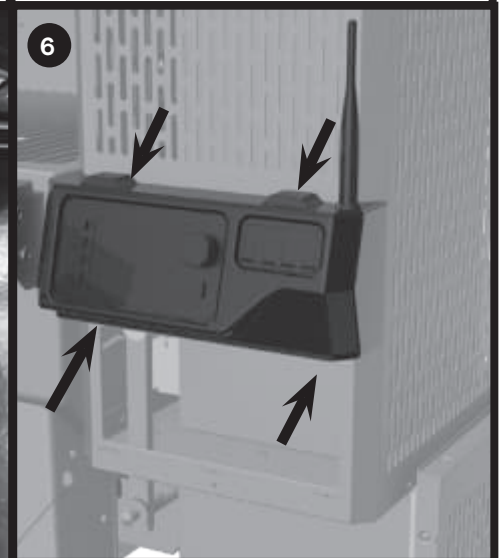
3
Unscrew the shutdown slide handle.



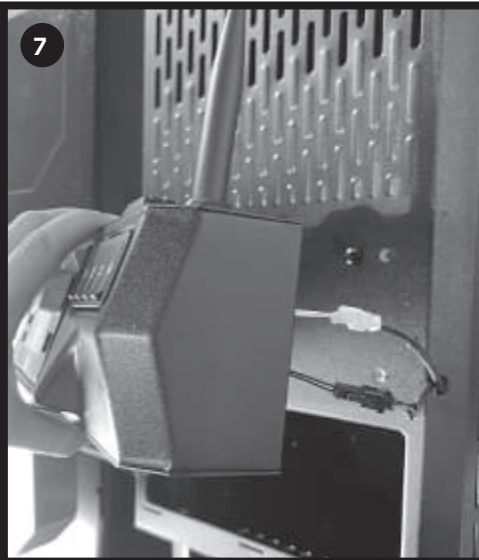
4
Remove 3 screws on the shutdown flap hopper shroud. Remove the shroud.



5
Remove the controller connections.

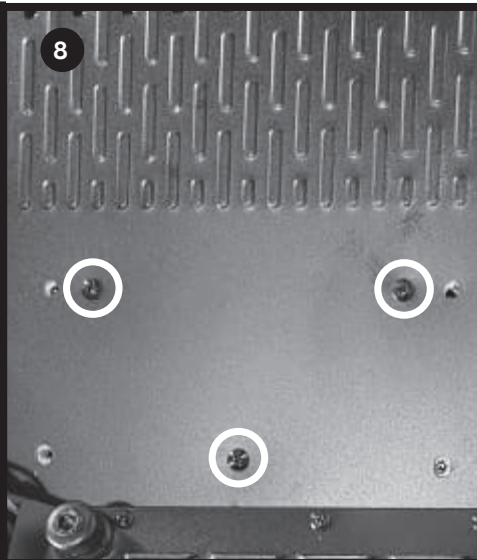


6
Remove the 4 thumb screws from the back of the controller. Remove the controller



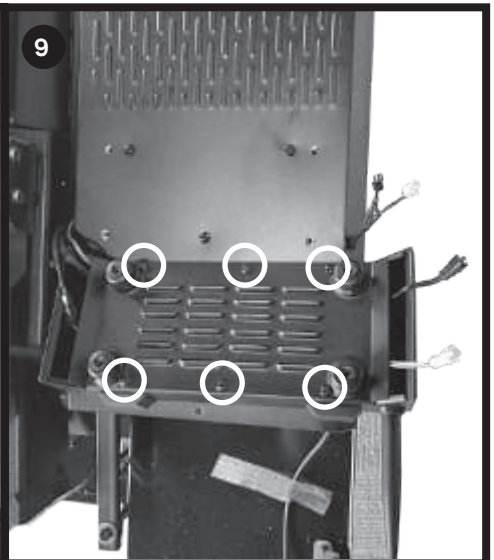
7

Disconnect two black and white wire connections on the side of the controller.



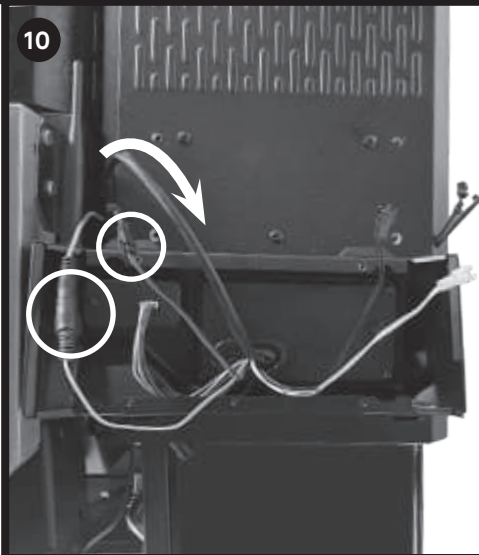
8

Loosen 3 screws on the insulation housing to make room for the power plug.



9

Remove 6 screws from rear of controller and remove the back panel.



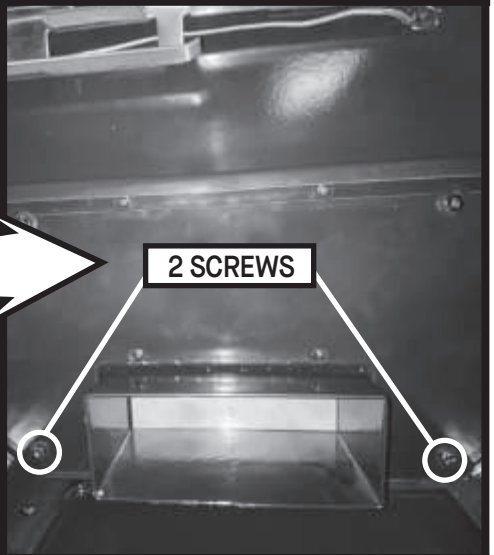
10

Disconnect 2 wire connections and feed the controller wire through the hopper pass through holes. Note, you will have to remove a zip tie from the inside of the hopper.

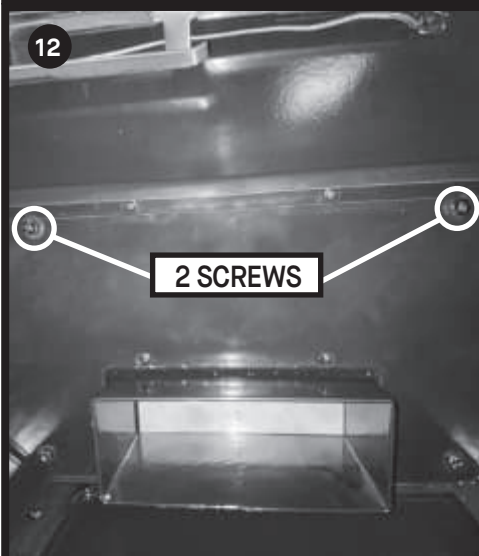


11

Remove the bottom (2 Screws) next to the manifold inside of the body.

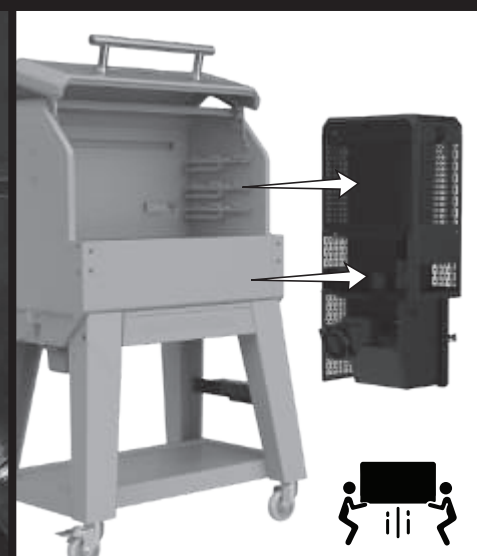


2 SCREWS

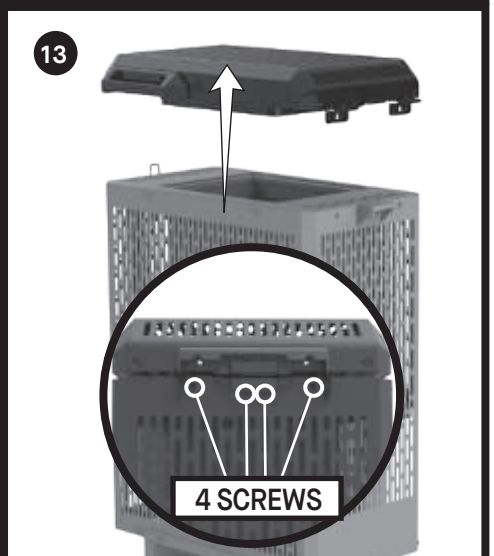


12

2 SCREWS



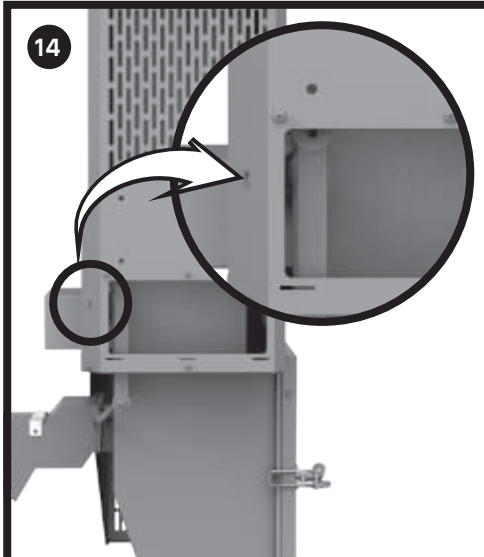
USE CAUTION, this step will disconnect the hopper from the body. Have a second party hold the hopper in place as your remove the hardware. Remove the top (2 Screws) next to the manifold inside of the body. This will disconnect the hopper. Remove the hopper from the body.



13

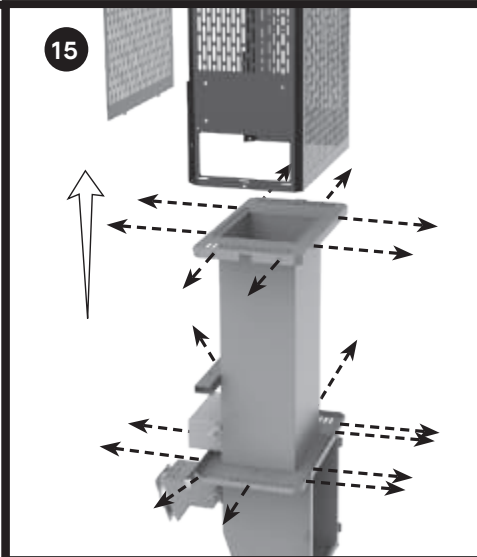
4 SCREWS

Remove the hopper lid from the shroud (4 Screws) Keep the hinge attached to the lid, you will reuse this.



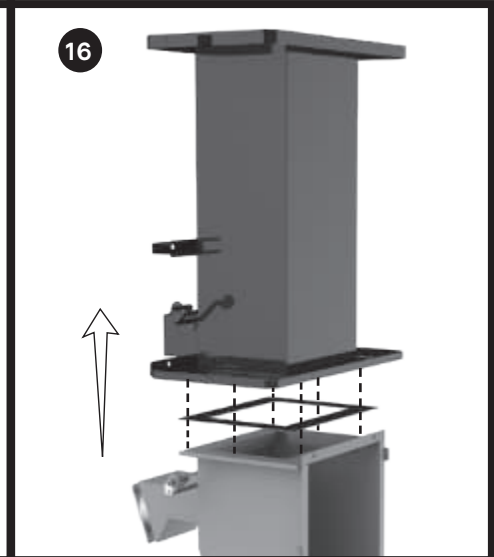
14

Disconnect the spring from the top shutdown flap assembly.
Note: it is recommended to use a pair of needle nose pliers to accomplish this



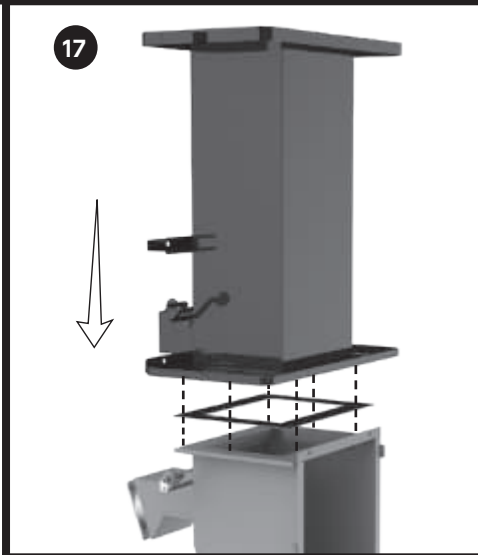
15

Remove the top hopper shroud.



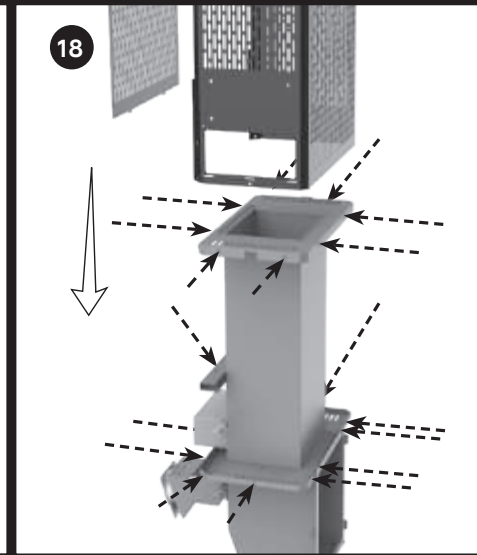
16

Remove the top hopper.



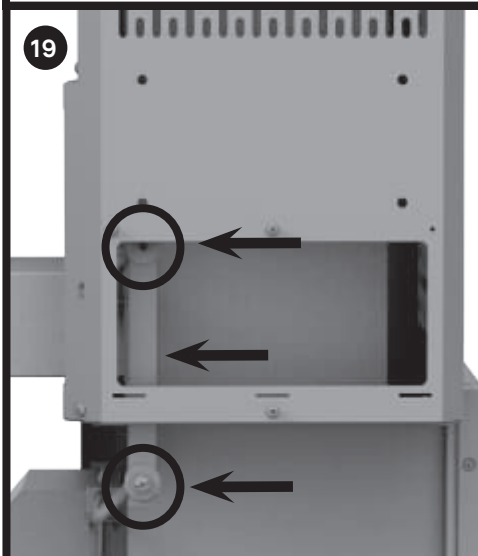
17

Assemble the new top hopper.



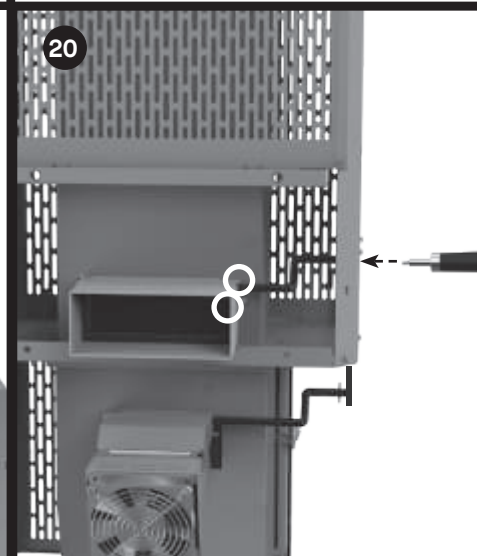
18

Replace the top hopper shroud.



19

Shutdown flaps and connector rod components should remain in the closed position.



20

Keep the shutdown flaps in the closed position. Replace the shutdown handle. Tighten the (2 Screws) on the top shutdown flap.

For installation, follow all steps in reverse.

MASTERBUILT®