

MASTERBUILT®

Body Kit, GSGXT

MB20041223, MB20043024

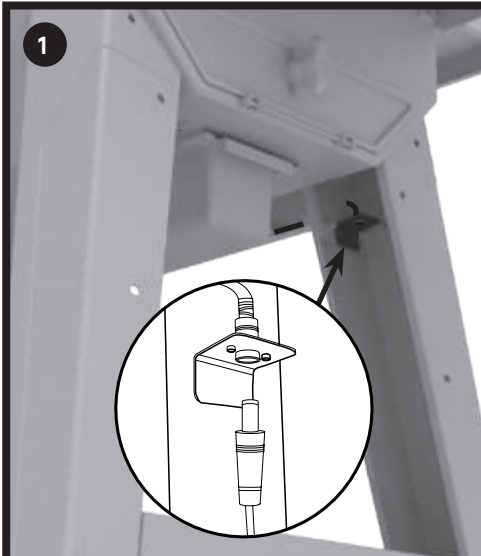


CAUTION



- Always remove plug from outlet before servicing your grill.
- Make sure your grill has fully cooled to avoid burns.
- Some components may have sharp edges. Use caution to avoid injury.

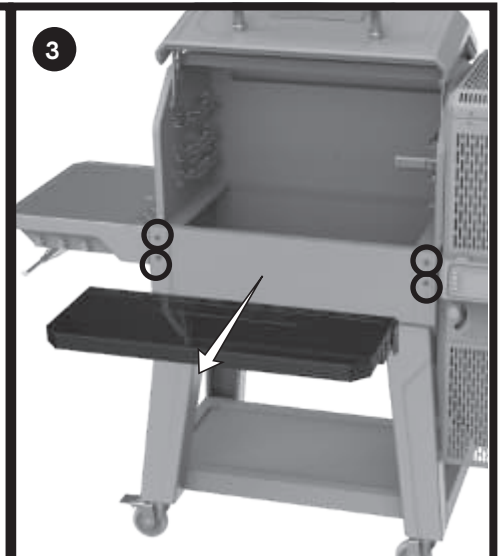
Note: Your grill may vary from images shown



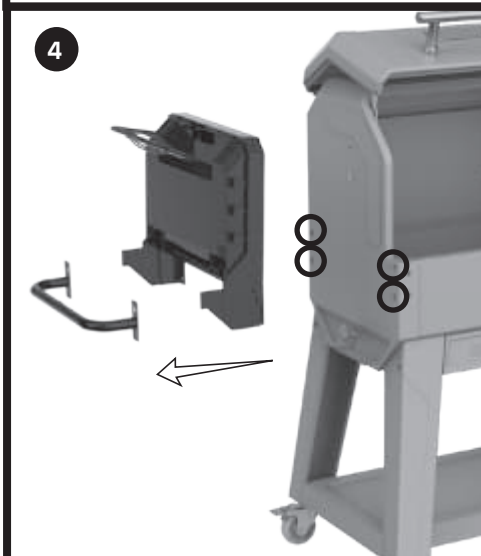
1
Disconnect the power plug and remove the power cord from the leg.



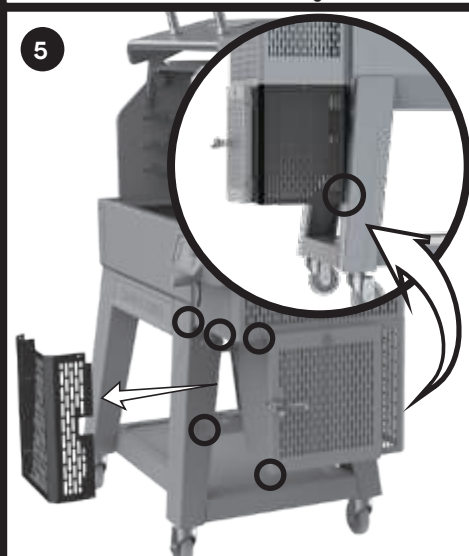
2
Remove: charcoal from hopper, cooking grates, warming rack, all 3 manifold pieces, ash tray, grease tray, and any other accessories on the grill.



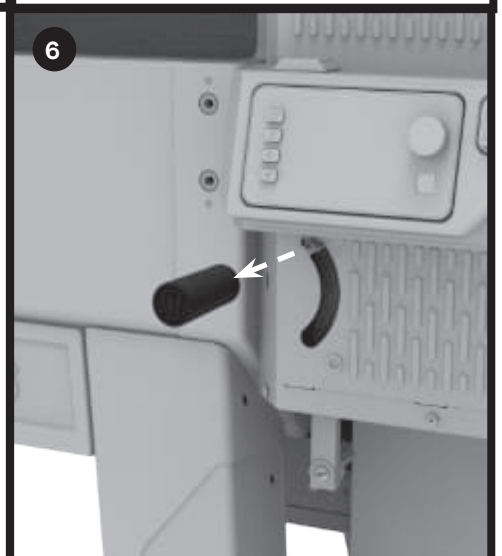
3
Remove the front shelf (4 screws). Save for reuse.



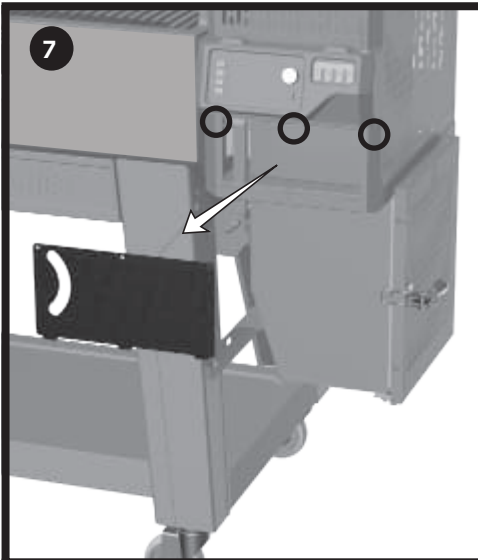
4
Remove the side shelf and handle (4 screws). Save for reuse.



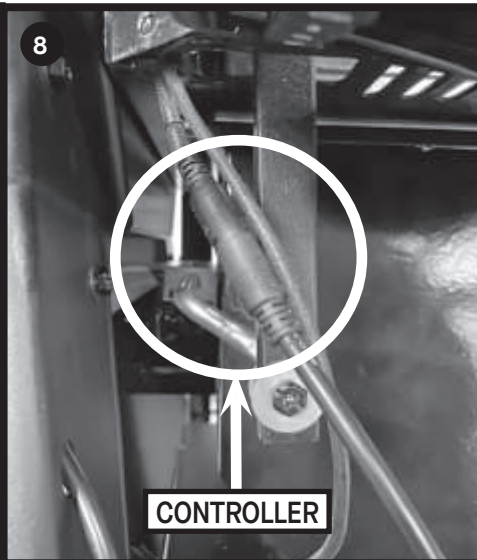
5
A) Remove the front hopper shroud.
B) Remove the hardware that connects the leg brace to the legs.
C) Remove the hopper ash door.



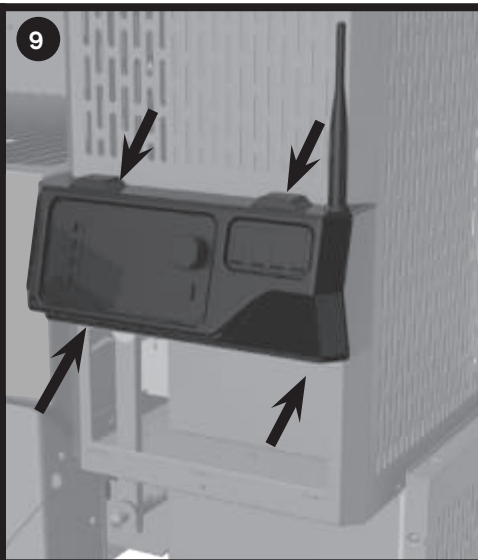
6
Unscrew the shutdown slide handle.



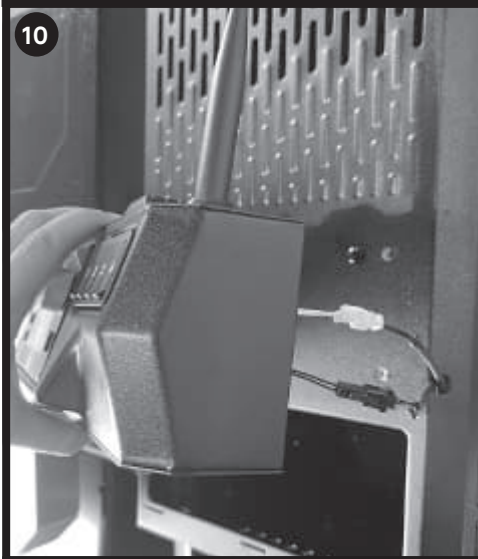
7 Remove 3 screws on the shutdown flap hopper shroud. Remove the shroud.



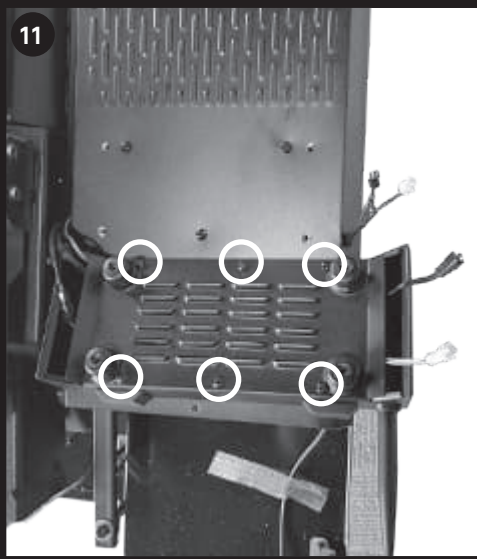
8 Remove the controller connections.



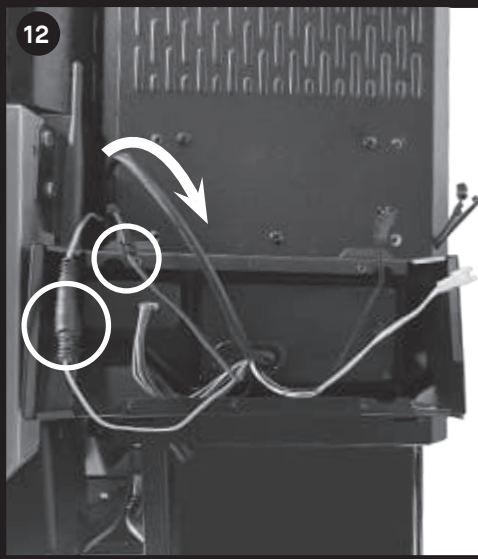
9 Remove the 4 thumb screws from the back of the controller. Remove the controller



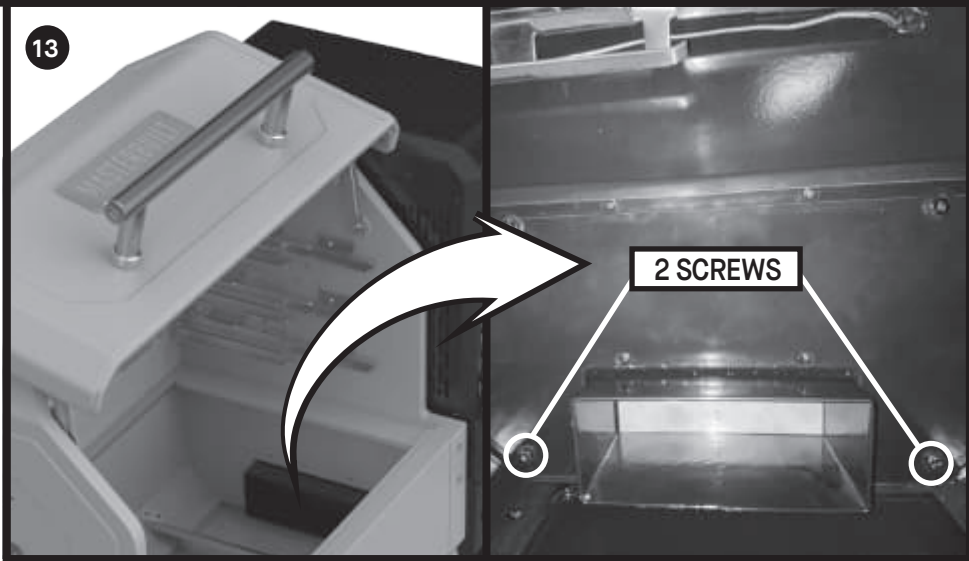
10 Disconnect two black and white wire connections on the side of the controller.



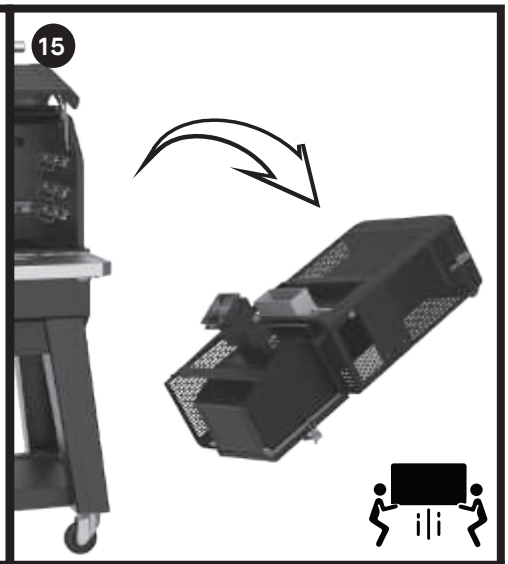
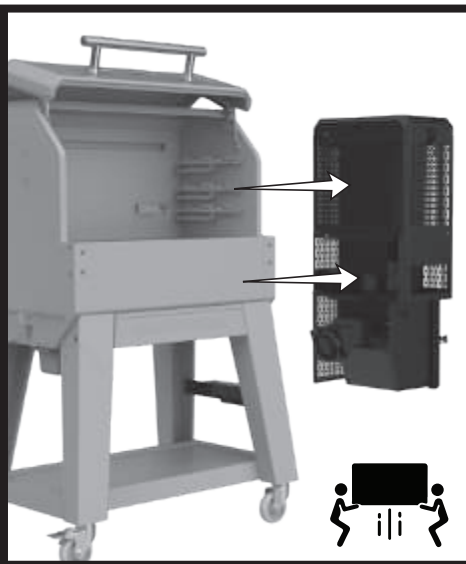
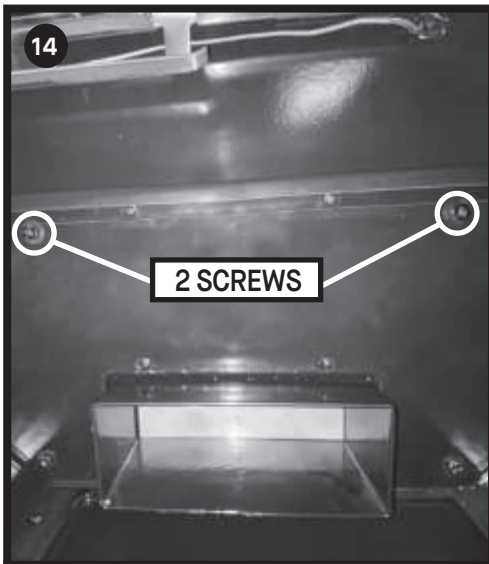
11 Remove 6 screws from rear of controller and remove the back panel.



12 Disconnect 2 wire connections and feed the controller wire through the hopper pass through holes. Note, you will have to remove a zip tie from the inside of the hopper.

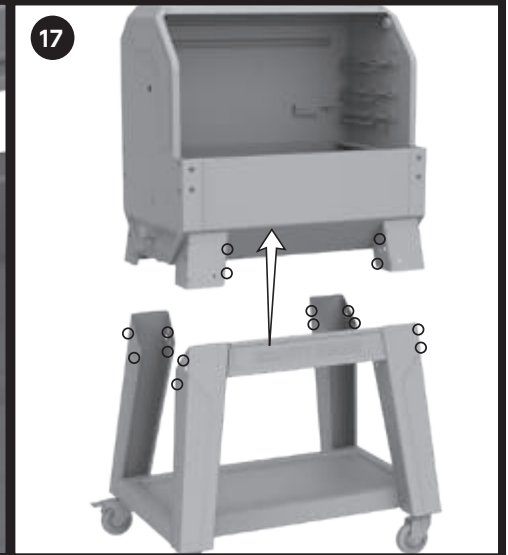
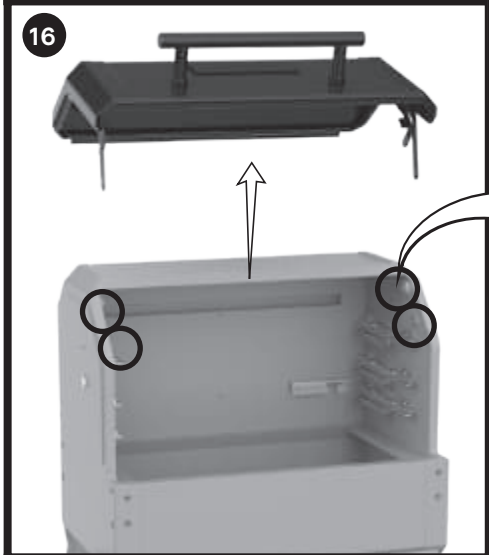


13 Remove the bottom (2 screws) next to the manifold inside of the body.



USE CAUTION, this step will disconnect the hopper from the body. Have a second party hold the hopper in place as you remove the hardware. Remove the top (2 screws) next to the manifold inside of the body. This will disconnect the hopper. Remove the hopper from the body.

Lay the hopper down.



Remove the lid.

Remove 16 screws from cart while grill is upright. Lift body off of cart and set on ground.

Replace with new grill body – follow all steps in reverse order.

NOTE: If it is challenging to get the new grill body seated into the cart, it is recommended that you place the new body on the ground upside down and assemble the cart to the grill body.

MASTERBUILT®