

MASTERBUILT®

Wire Harness Kit Replacement, GSG600

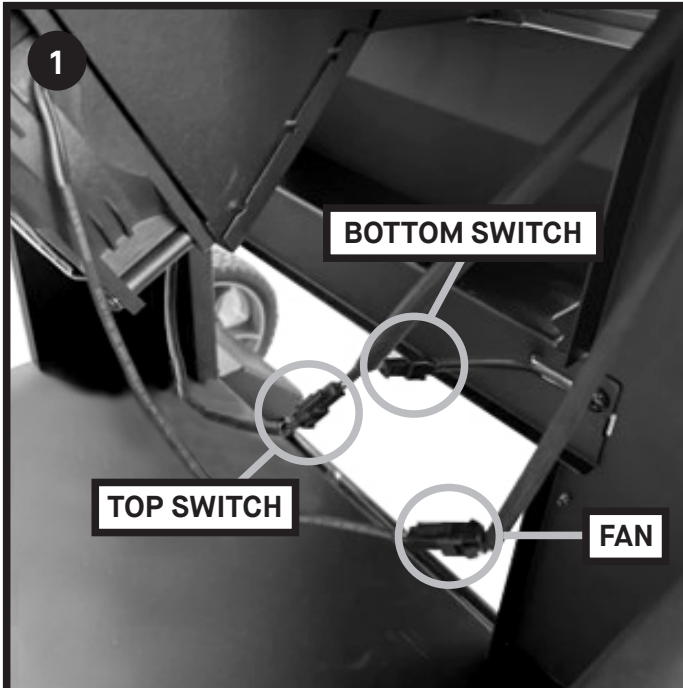


CAUTION

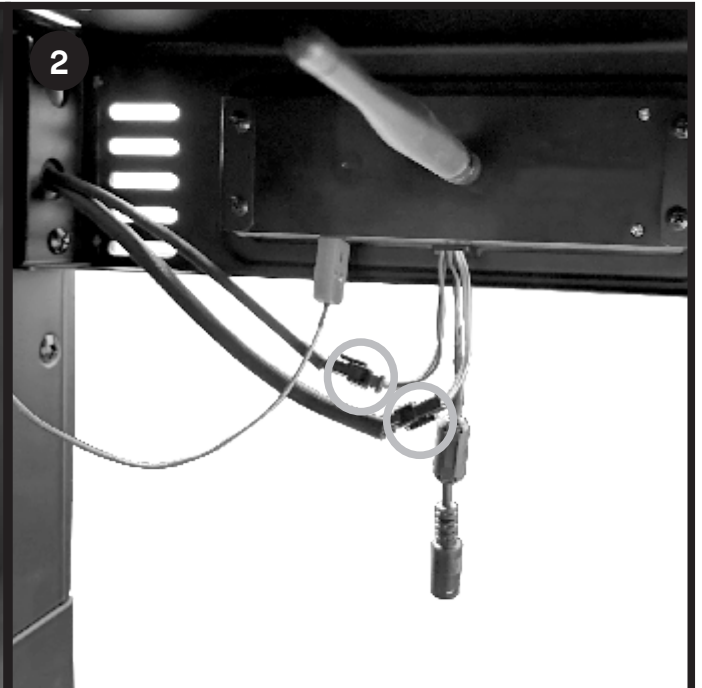


- Always remove plug from outlet before servicing your grill.
- Make sure your grill has fully cooled to avoid burns.
- Some components may have sharp edges. Use caution to avoid injury.

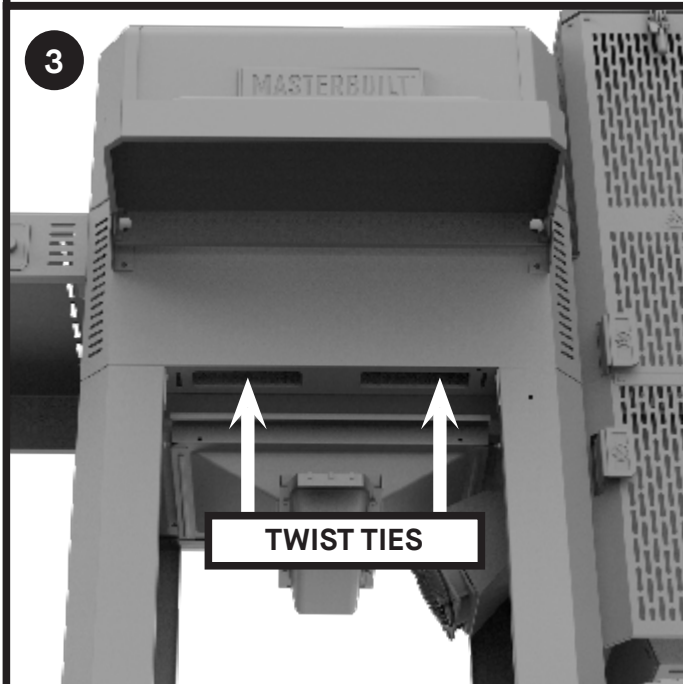
Note: Your grill may vary from images shown



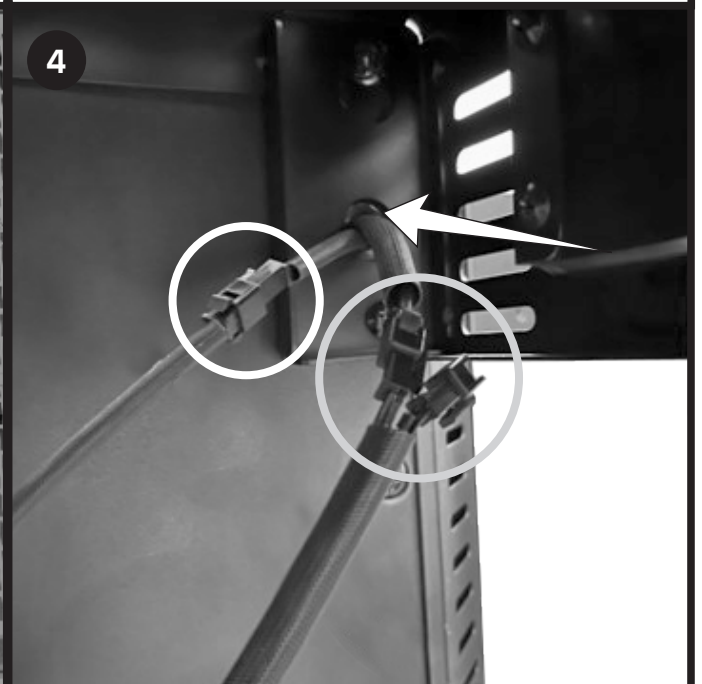
Unplug the fan, top switch and bottom switch from the wire harness.



Unplug the two wire harness connections from the controller.

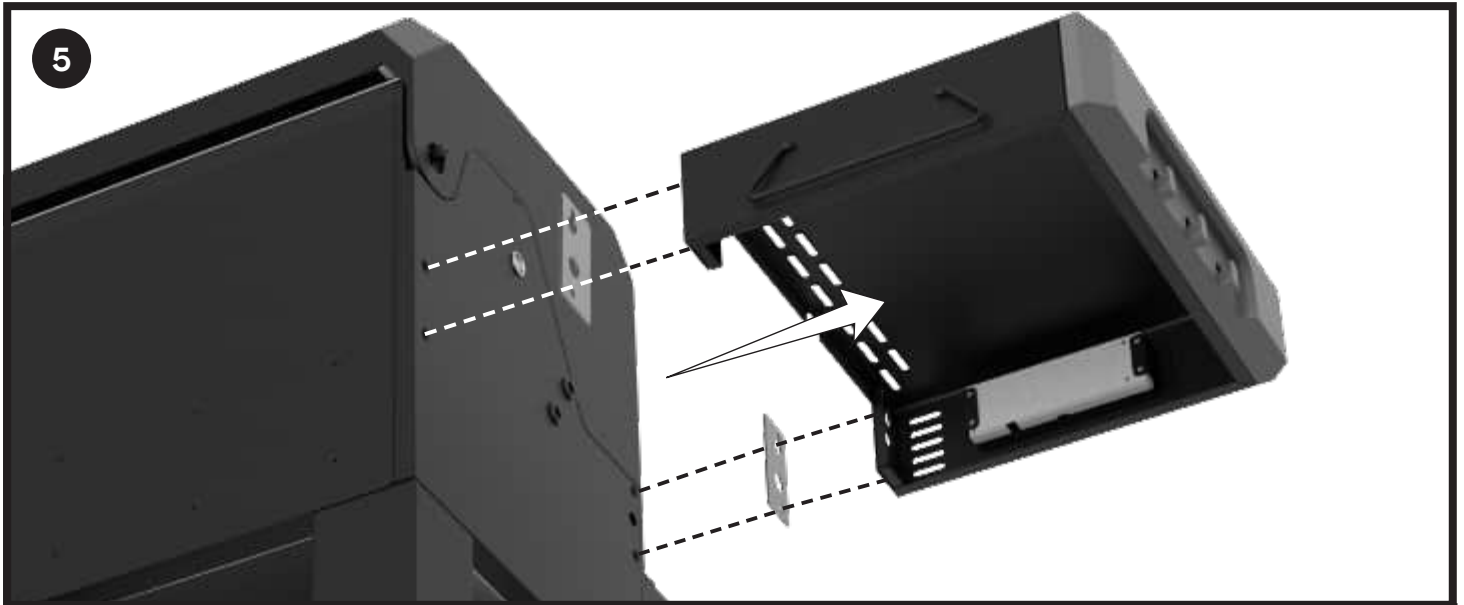


Remove the twist tie near the fan and the controller.



Plug the new wire harness into the old wire harness and pull through the body. Use caution, you may have to feed the wires one at a time through the side shelf hole and body hole near the fan.

STEP 5 (optional)



For easier access, remove the side shelf and grommets in the body.
Be sure to replace the grommets once you have fished the wires through the holes.