

MASTERBUILT®

Top Hopper Replacement, 2 Piece Hopper, Gravity Series (G2)

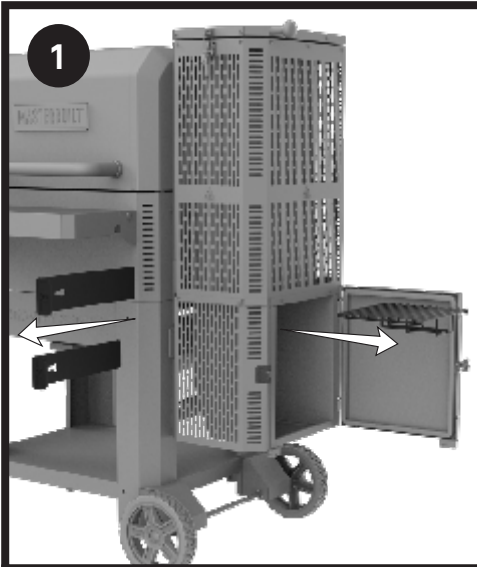


CAUTION

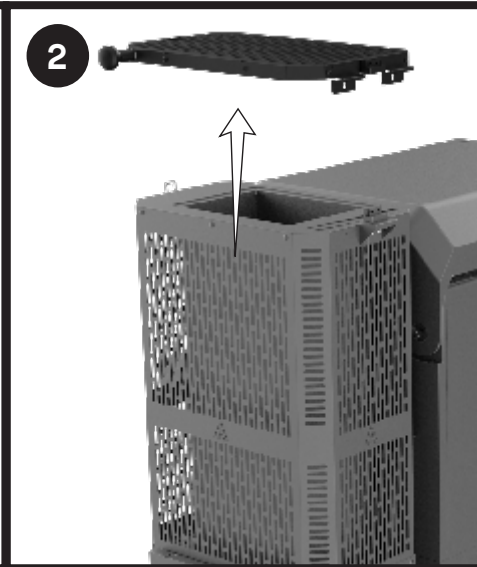


- Always remove plug from outlet before servicing your grill.
- Make sure your grill has fully cooled to avoid burns.
- Some components may have sharp edges. Use caution to avoid injury.

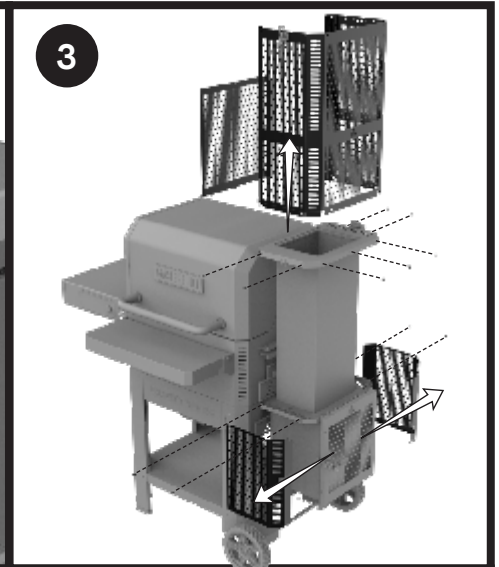
Note: Your grill may vary from images shown



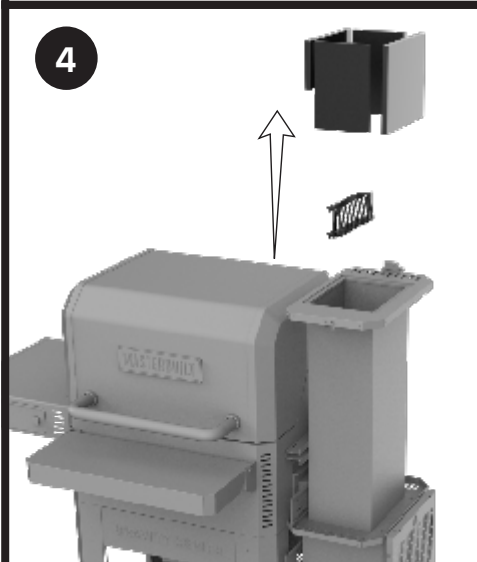
1
Remove the shutdown slides, charcoal grate and remove all charcoal from the hopper.



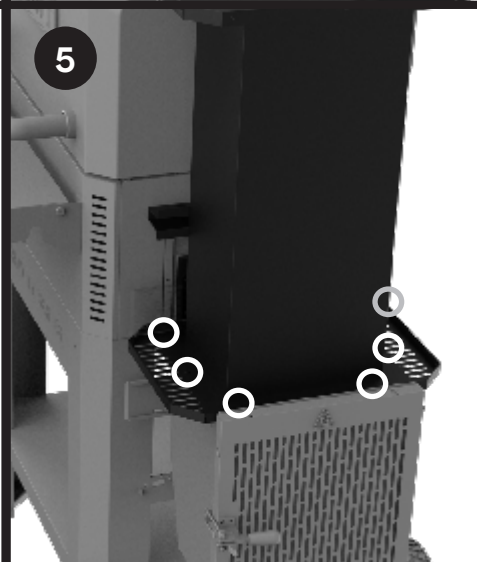
2
Remove the hopper lid from the shroud (keep the hinge lid attached to the lid, you will reuse this).



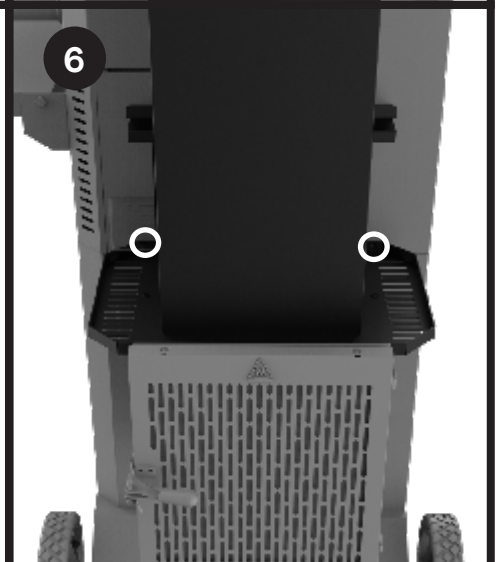
3
Remove the top and bottom hopper shroud.



4
Remove the firebricks, hopper exhaust grate, and charcoal grate from the hopper (you will reuse these).



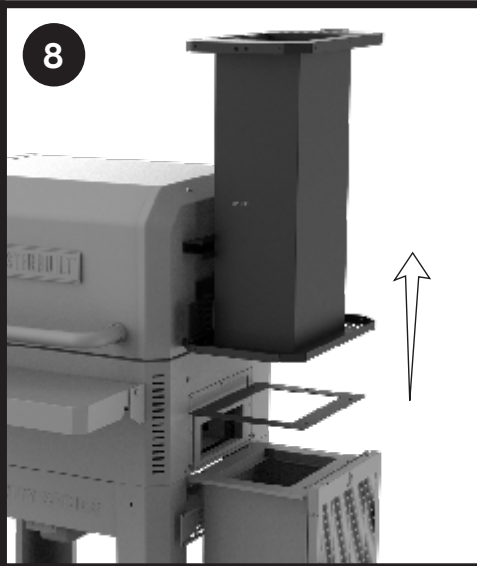
5
Remove the 6 screws from the bottom of the hopper plate.



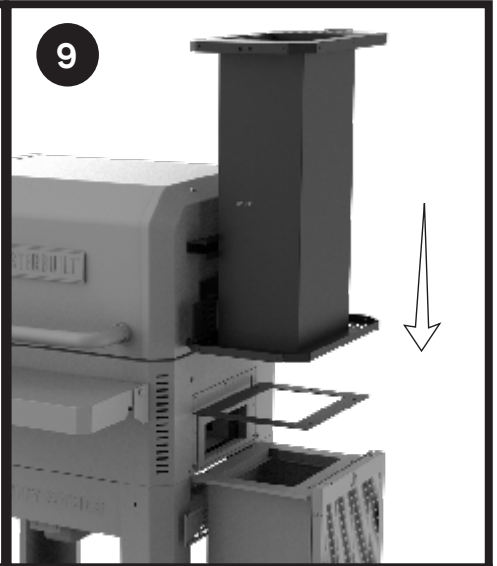
6
Remove the bottom 2 screws that mount the hopper plate to the body.



7
Remove the 2 screws that mount the hopper to the body.



8
Remove hopper and replace the gaskets.



9
To reinstall the new hopper, follow the steps in reverse order.