

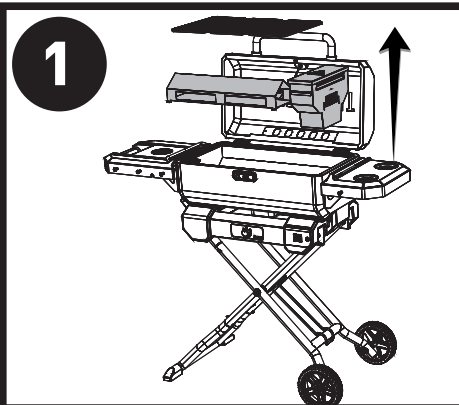
# MASTERBUILT®

## Grill Base Instruction Sheet

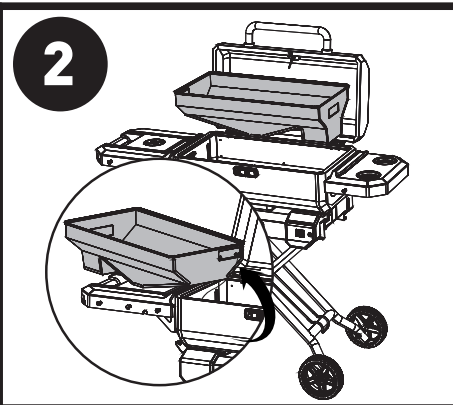
### Portable Grill CGT18G1A



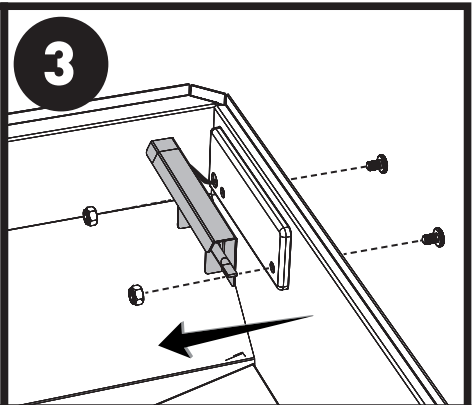
- Always remove plug from outlet before servicing your grill.
- Make sure your grill has fully cooled to avoid burns.
- Some components may have sharp edges. Use caution to avoid injury.



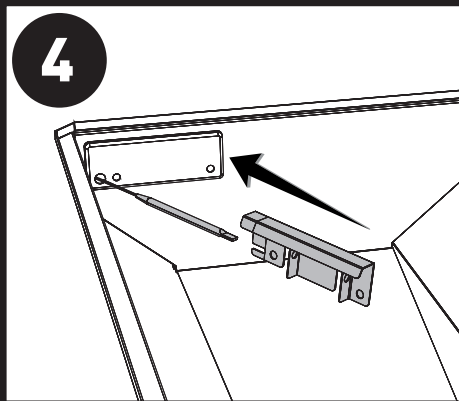
Remove the cooking grate, manifold, and charcoal hopper.



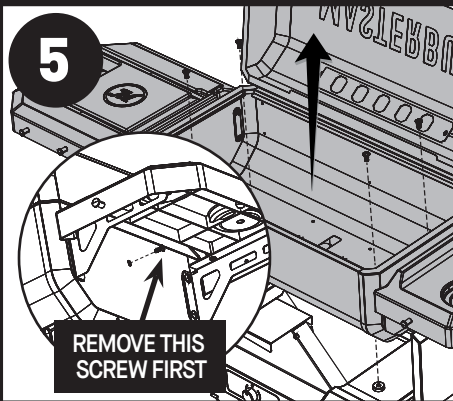
Remove the body liner.  
Rotate the liner to sit on the left shelf.



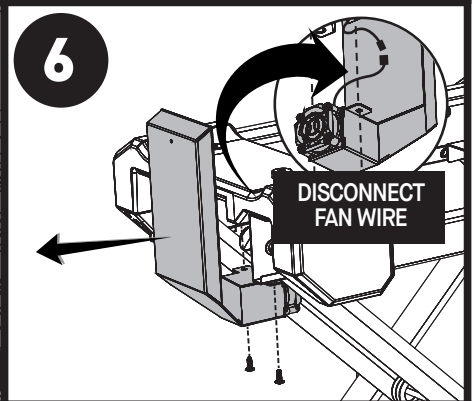
Remove the probe bracket.



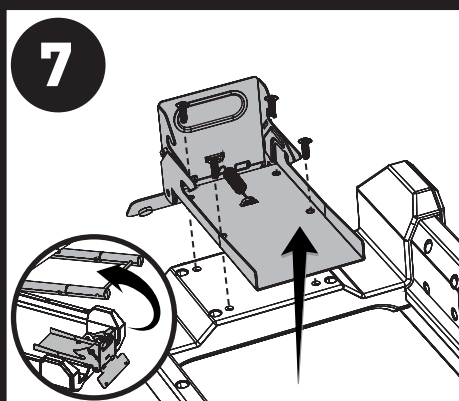
Remove the probe from the bracket.  
Slide the probe out of the liner.



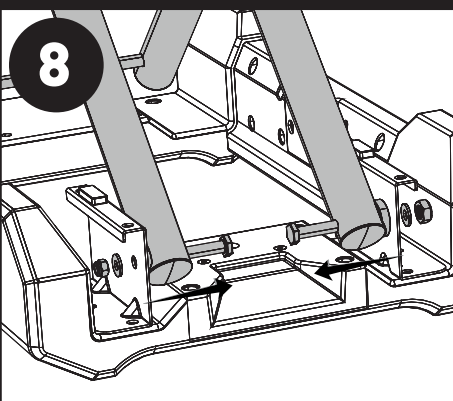
Remove the grill body from the base.



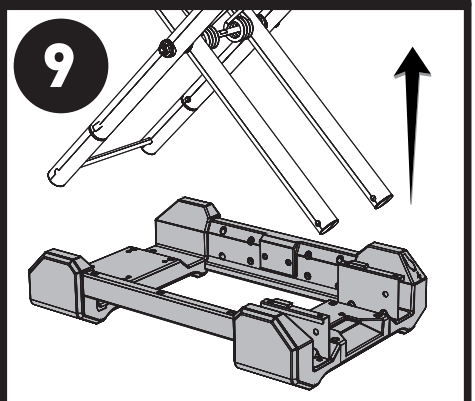
Remove the fan and fan tube.



Flip the grill over and unlatch cart.  
Remove the cart bracket.



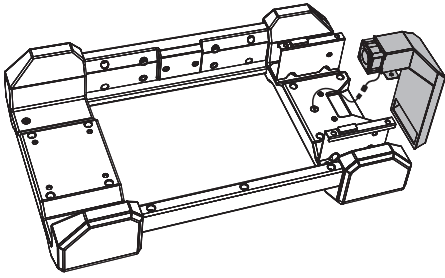
Remove the cart leg hardware  
from the grill base.



Remove the grill base from the cart.

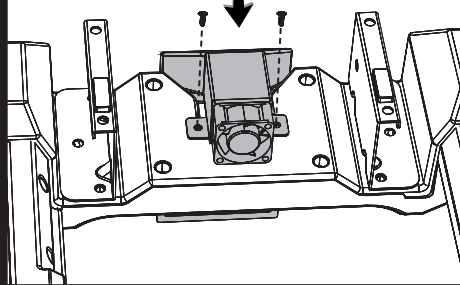
# ASSEMBLY INSTRUCTIONS

10



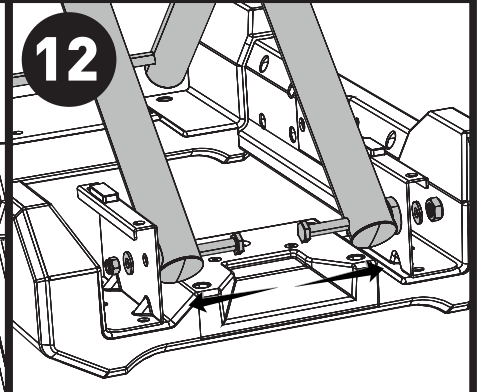
Plug the fan into the grill base.

11



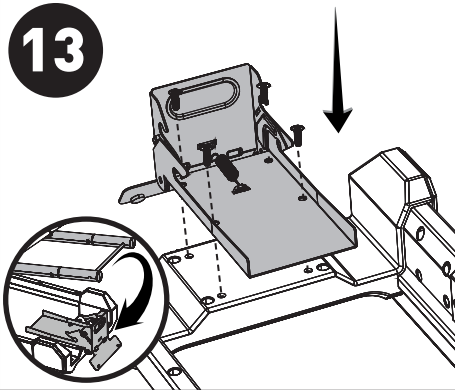
Attach the fan to the grill base.

12



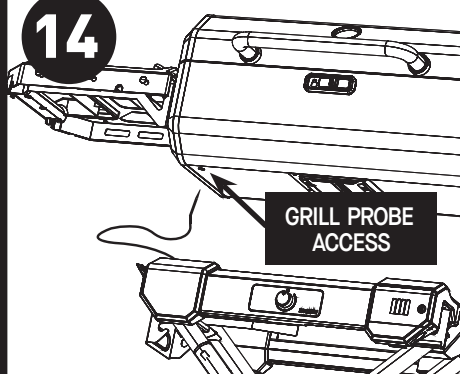
Attach the cart legs to the grill base.

13



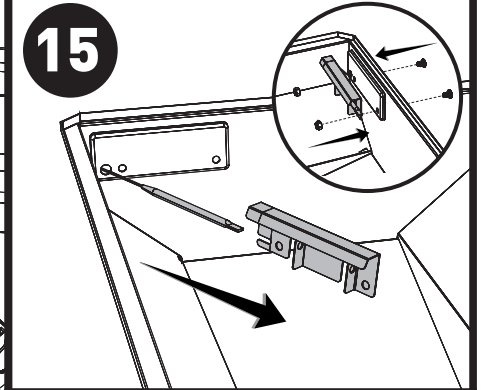
Attach the cart bracket and legs.

14



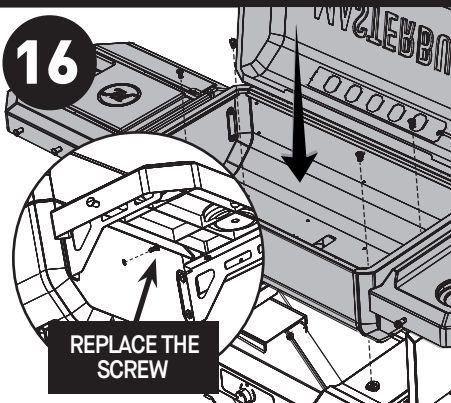
Thread the probe through the grill body.

15



Slide the probe into the liner and attach.

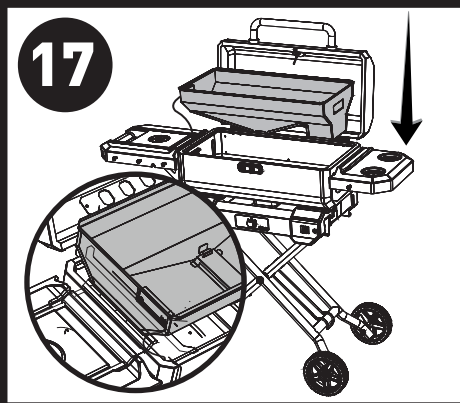
16



REPLACE THE SCREW

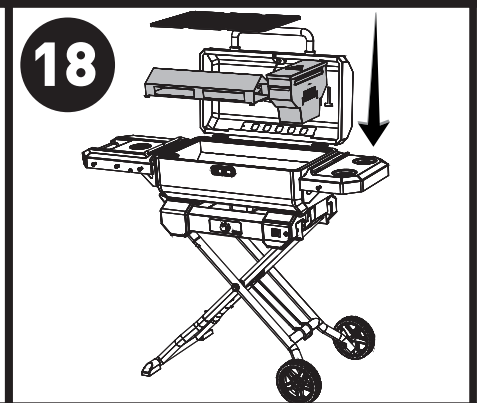
Attach the grill body to the base.

17



Replace the body liner.

18



Replace the cooking grate, manifold, and charcoal hopper.