

# MASTERBUILT®

## Wheel Instruction Sheet

### Portable Grill CGT18G1A

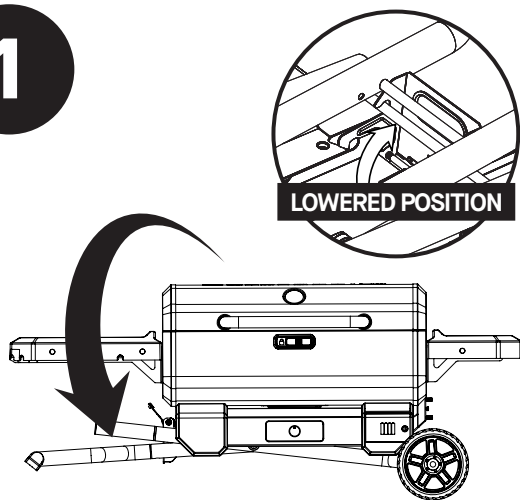


**CAUTION**



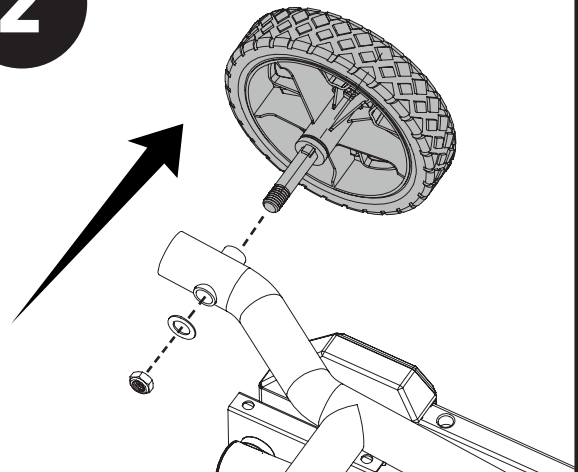
- Always remove plug from outlet before servicing your grill.
- Make sure your grill has fully cooled to avoid burns.
- Some components may have sharp edges. Use caution to avoid injury.
- Remove grate, manifold, and charcoal from your grill.

**1**



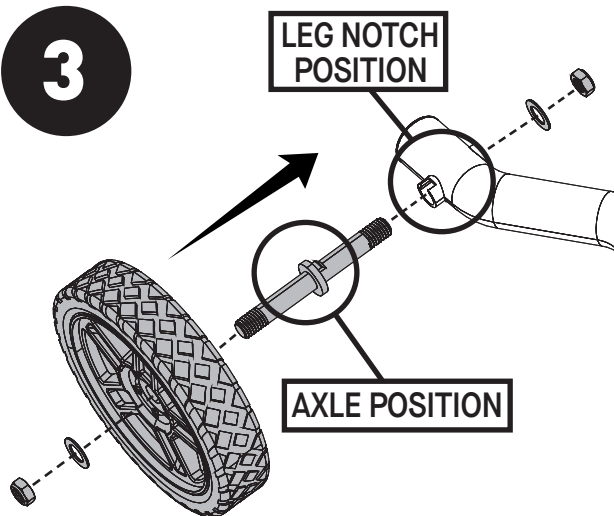
Lower the grill cart and rotate the grill upside down.

**2**



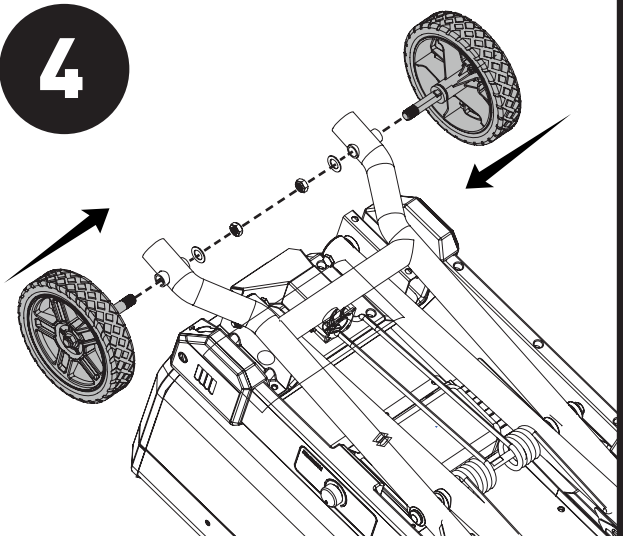
Remove the old wheel.

**3**



Replace the wheel. Note - the axle position and leg notch position should match.

**4**



If replacing both wheels, continue with wheel assembly instructions from step 3.