

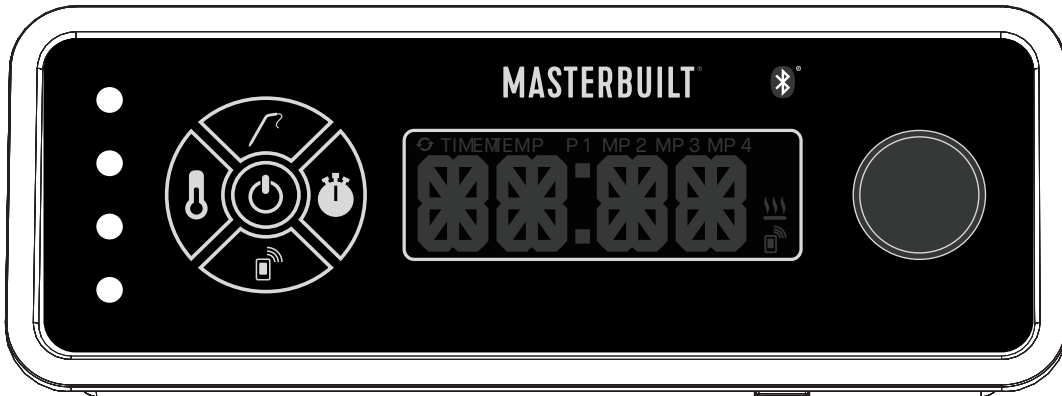
# MASTERBUILT®

## Controller Instruction Sheet

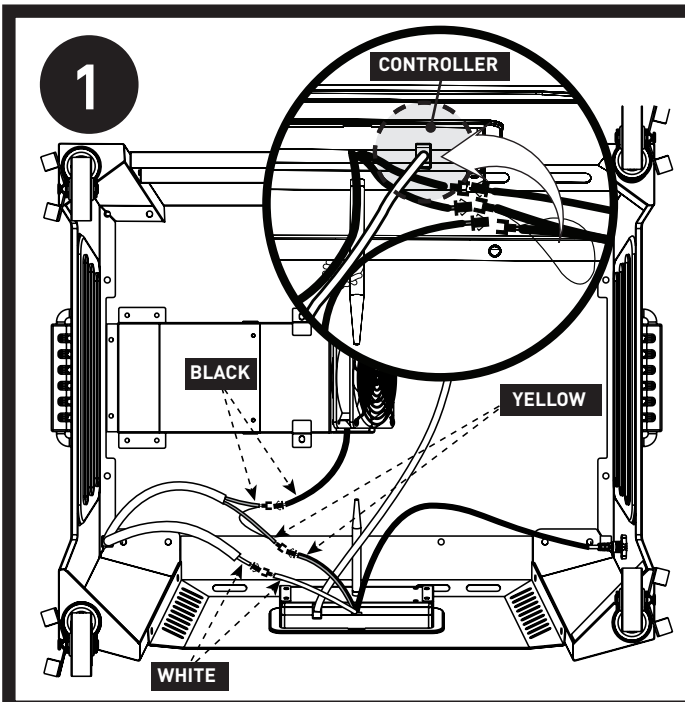
### Digital Charcoal Smoker CS40G1DW



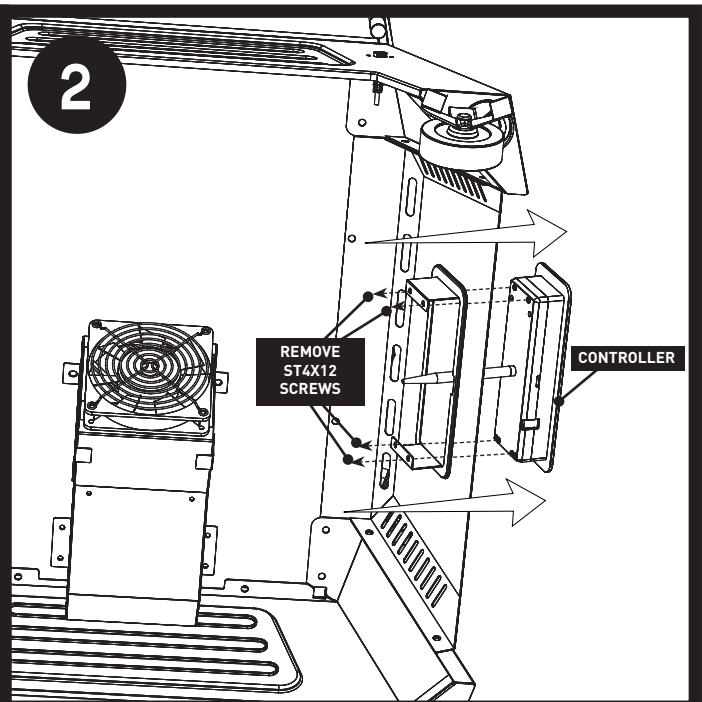
- Always remove plug from outlet before servicing your smoker.
- Make sure your smoker has fully cooled to avoid burns.
- Some components may have sharp edges. Use caution to avoid injury.



Tools Needed:  
Phillips Head Screwdriver



1  
Disconnect all wires from fan and controller.



2  
Remove the controller from the front panel.

#### INSTALLATION:

- Install the new controller/antenna assembly with (4) ST4X12 Screws (see step 2).
- Reconnect all wires from fan and smoker (see step 1).