

MASTERBUILT®

Fire Brick Instruction Sheet

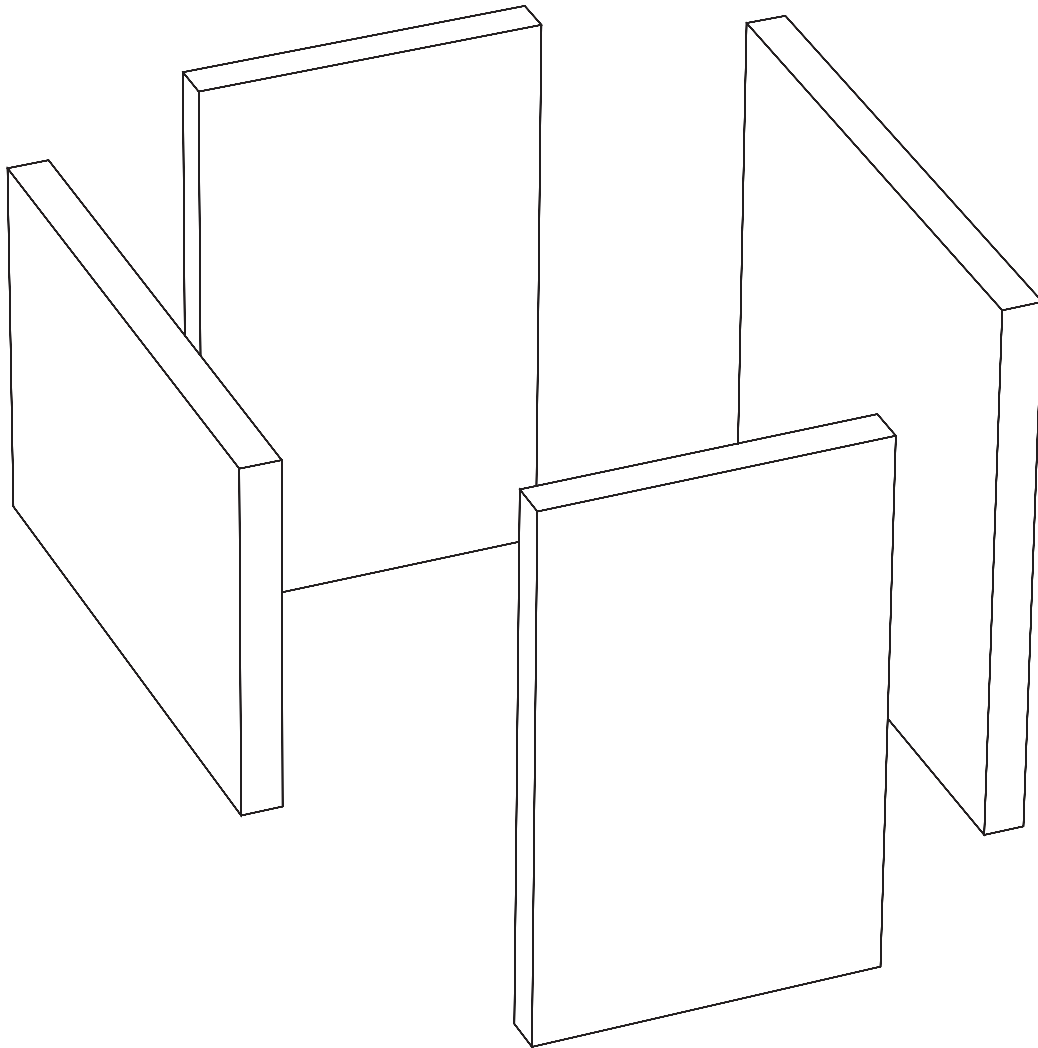
Gravity Fed Grill CGP24G1D, CGP28G1D, CGP30G1D

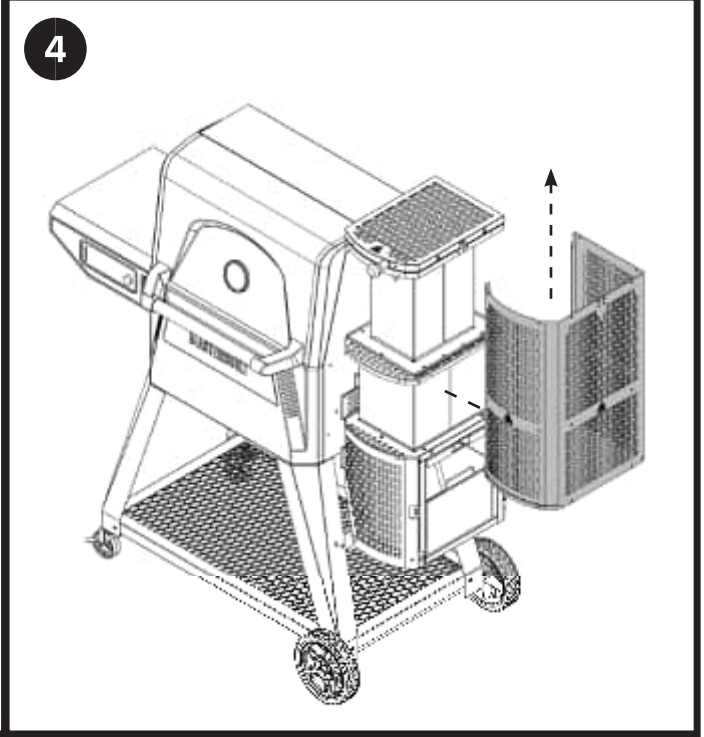
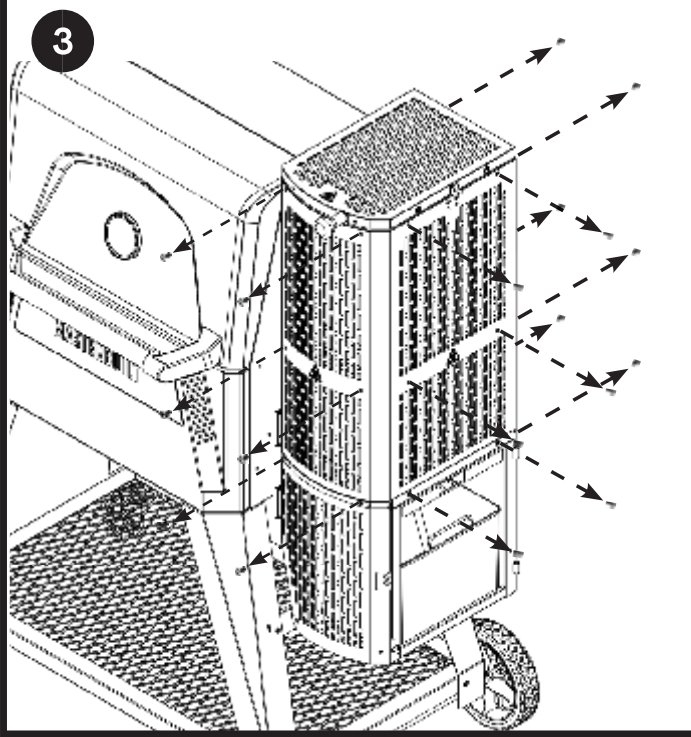
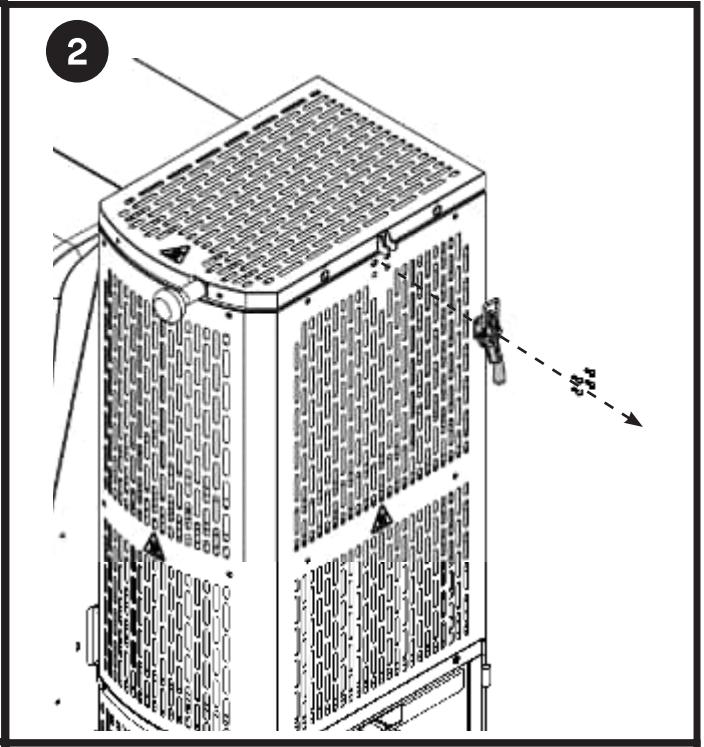
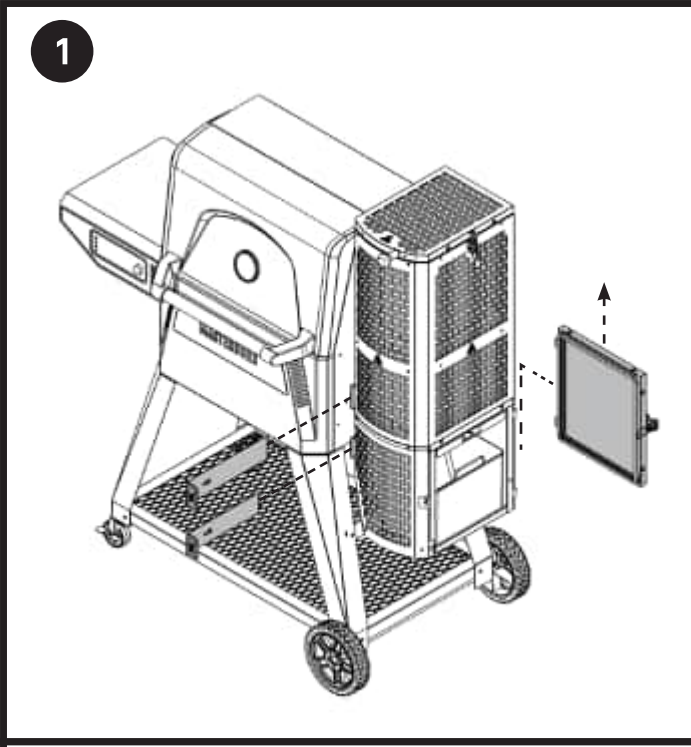


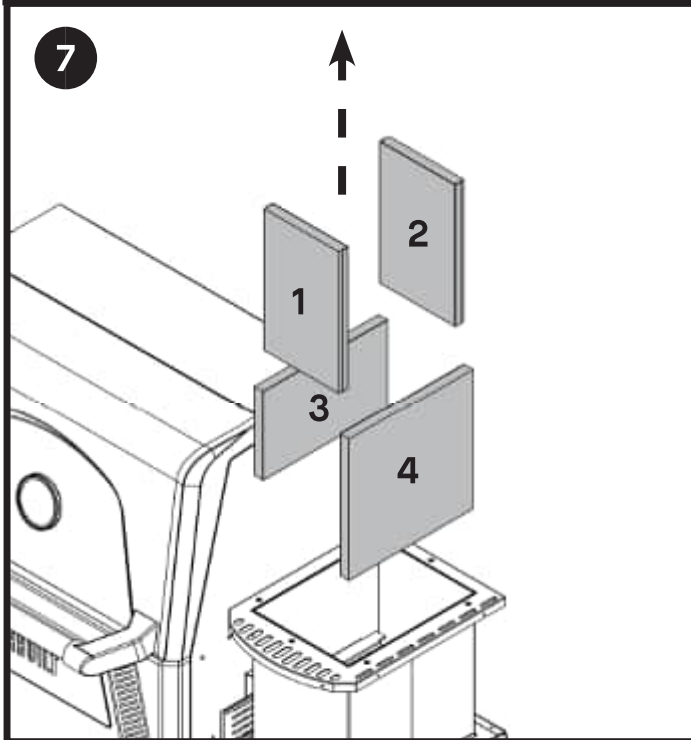
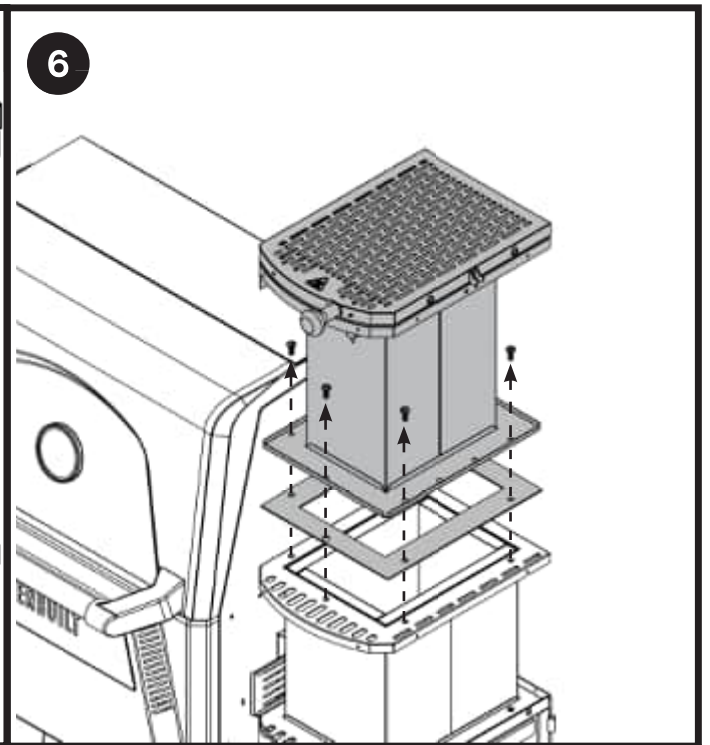
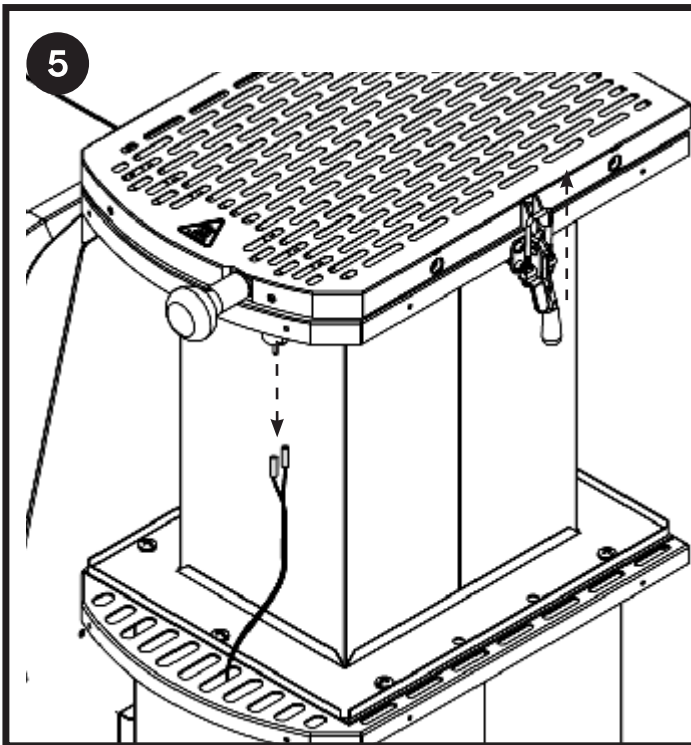
CAUTION



- Always remove plug from outlet before servicing your grill.
- Make sure your grill has fully cooled to avoid burns.
- Some components may have sharp edges. Use caution to avoid injury.







INSTALLATION:

- Replace the firebricks in the correct sequence (see step 7).
- Replace the top hopper assembly (see step 6).
- Attach wiring to switch (see step 5).
- Replace the heat shield (see steps 3-4).
- Replace the latch (see step 2).
- Replace Hopper Door (see step 1).



MASTERBUILT®

Rest assured, we're here to help.
Rassurez-vous, nous sommes là pour vous aider.
Tenga la seguridad de que estamos aquí para ayudarle.

Customer Service
Service à la clientèle
Servicio de atención al cliente

masterbuilt.com/contact-us
masterbuilt.com/warranty
masterbuilt.com/collections/parts

@masterbuilt



masterbuilt.com

