

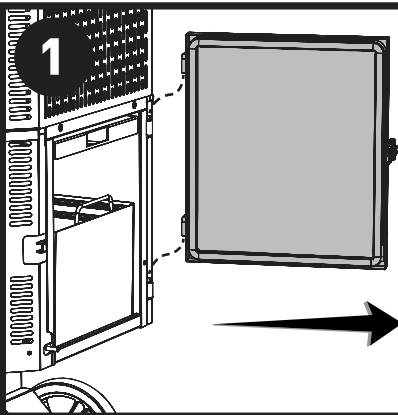
MASTERBUILT®

Bottom Hopper Instruction Sheet

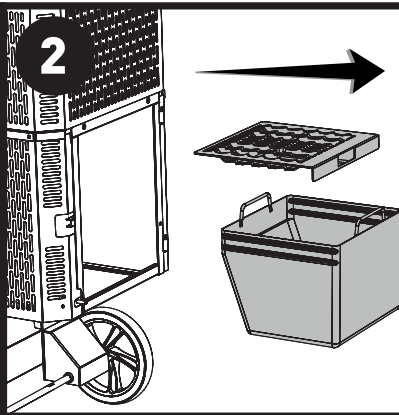
Gravity Fed Grill CGP24G1D, CGP28G1D, CGP30G1D



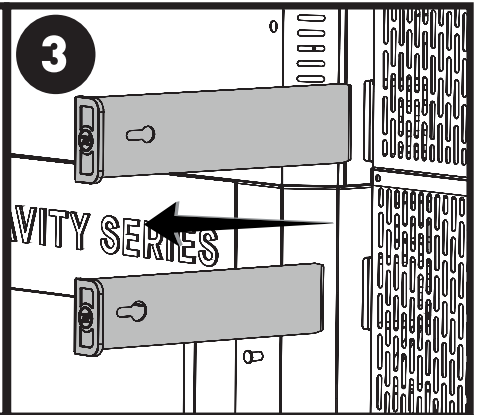
- Always remove plug from outlet before servicing your grill.
- Make sure your grill has fully cooled to avoid burns.
- Some components may have sharp edges. Use caution to avoid injury.



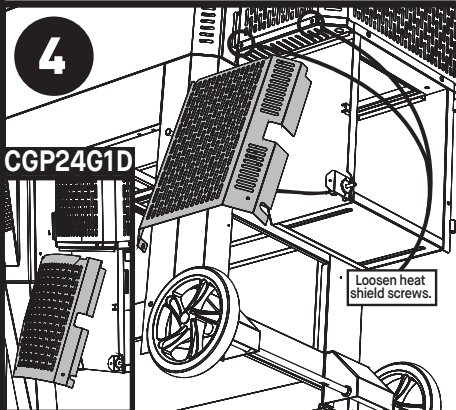
Remove the hopper door.



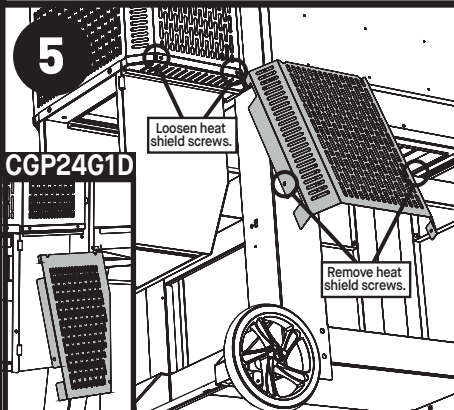
Remove the ash bucket and grate.



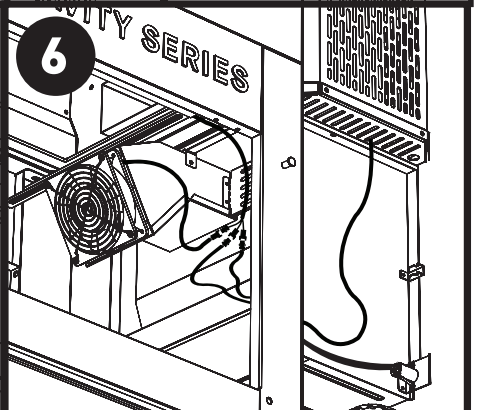
Remove the air intake slides.



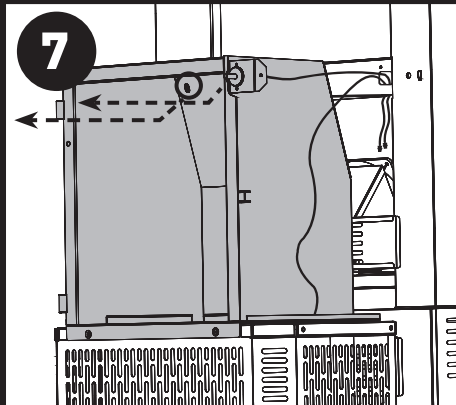
Remove the front heat shield.



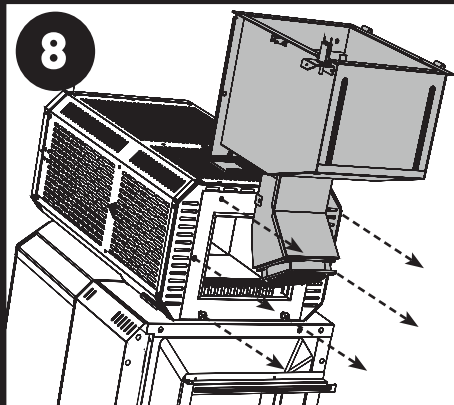
Remove the ash rear heat shield.



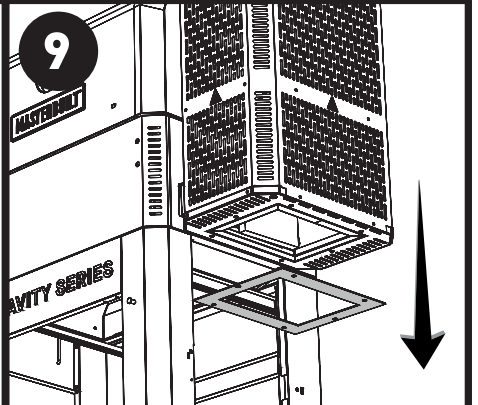
Disconnect the hopper cords from the fan and grill body.



Remove cross brace screws from bottom hopper.



Remove manifold screws from bottom hopper.



Remove the hopper gasket.

INSTALLATION:

- Replace the hopper gasket see (Step 9)
- Secure the bottom hopper to the middle assembly by screwing it in with 6 screws see (Step 8).
- Secure bottom hopper to leg cross brace with 2 screws see (Step 7).
- Re-connect wires to the fan, grill body and bottom hopper see (Step 6).
- Re-Install the rear hopper heat shield see (Step 5).
- Re-Install the front hopper heat shield see (Step 4).
- Re-Install the air intake slides see (Step 3).
- Replace the ash bucket and grate (Step 2).
- Replace the hopper door (Step 1).



MASTERBUILT®

Rest assured, we're here to help.

Customer Service

masterbuilt.com/contact-us
masterbuilt.com/warranty
masterbuilt.com/collections/parts

@masterbuilt



masterbuilt.com