

MASTERBUILT®

Hopper Lid Instruction Sheet

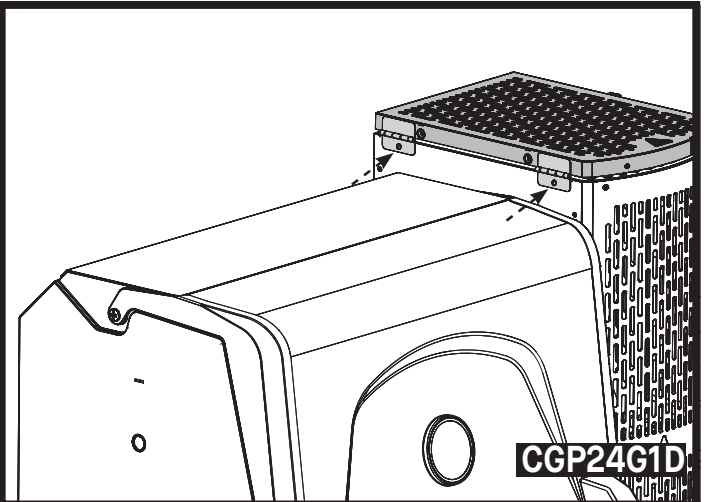
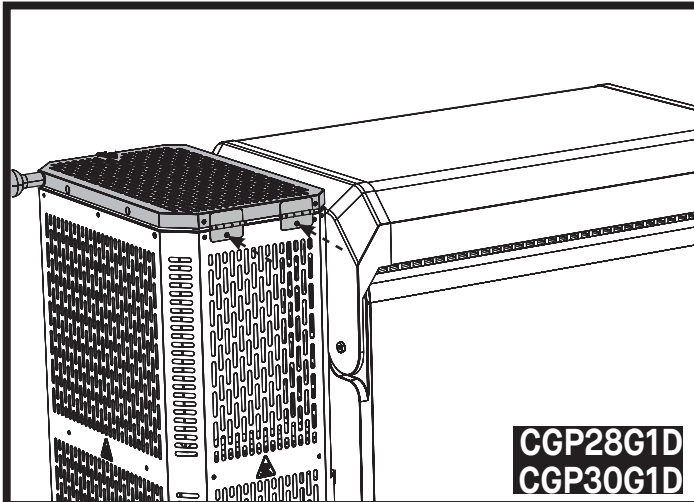
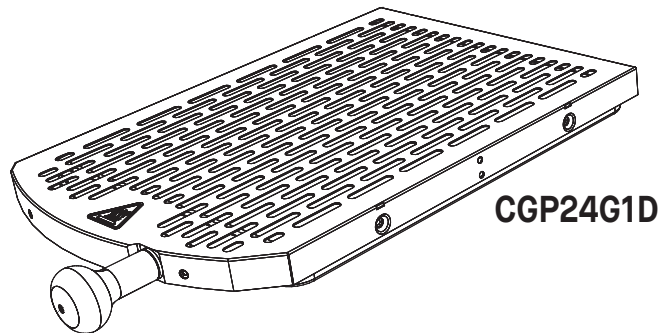
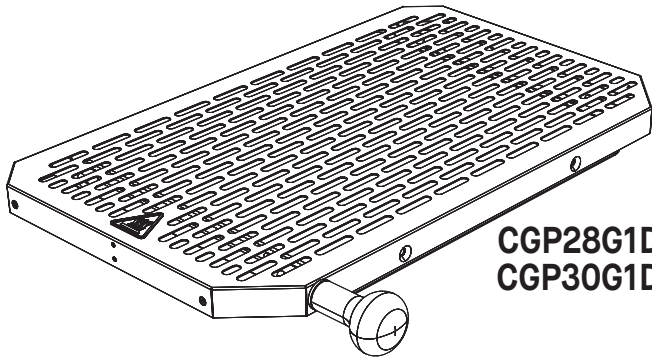
Gravity Fed Grill CGP24G1D, CGP28G1D, CGP30G1D



CAUTION



- Always remove plug from outlet before servicing your grill.
- Make sure your grill has fully cooled to avoid burns.
- Some components may have sharp edges. Use caution to avoid injury.



REMOVAL:

- Turn the grill off.
- Unplug the grill from any power source.
- Remove the two (2) screws holding the hinges of the lid in place.
- Remove the lid.

INSTALLATION:

- Confirm the grill is powered off and not plugged into a power source.
- Place the lid on top of the hopper, lining up the holes on the lid's hinges with holes on the top of the hopper.
- Insert and tighten the two (2) screws in on each hinge to secure the lid.