

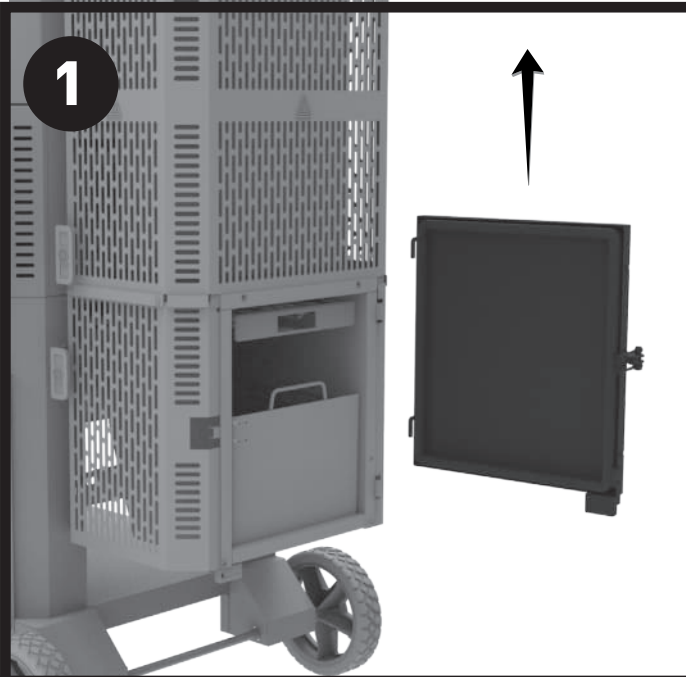
MASTERBUILT®

Hopper Door Instruction Sheet

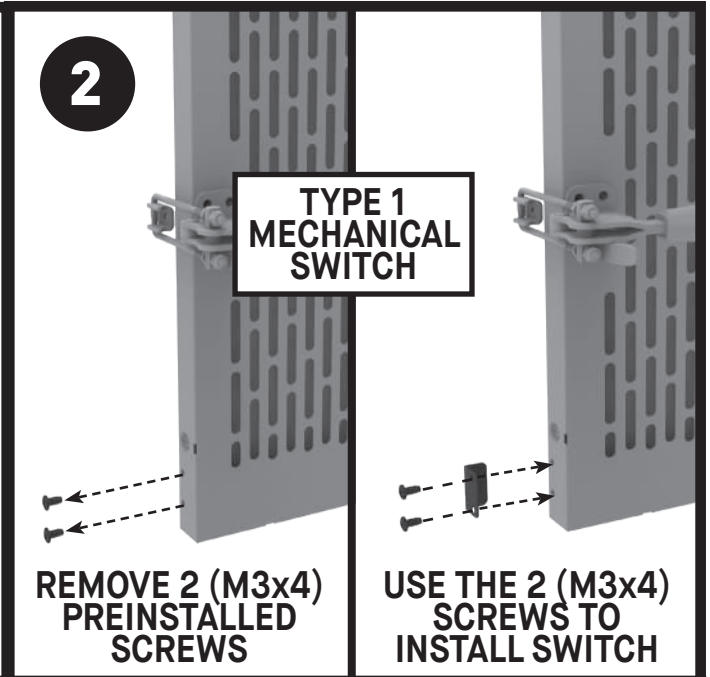


CAUTION

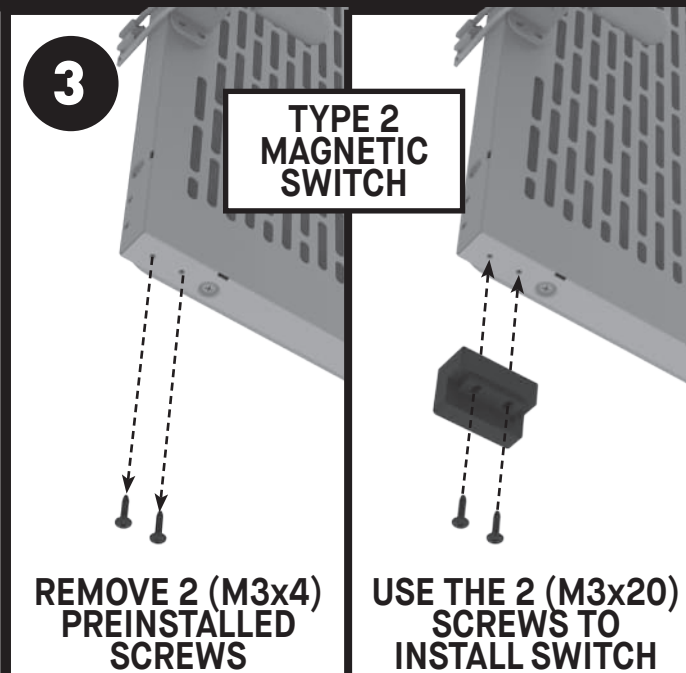
- Always remove plug from outlet before servicing your grill.
- Make sure your grill has fully cooled to avoid burns.
- Some components may have sharp edges. Use caution to avoid injury.



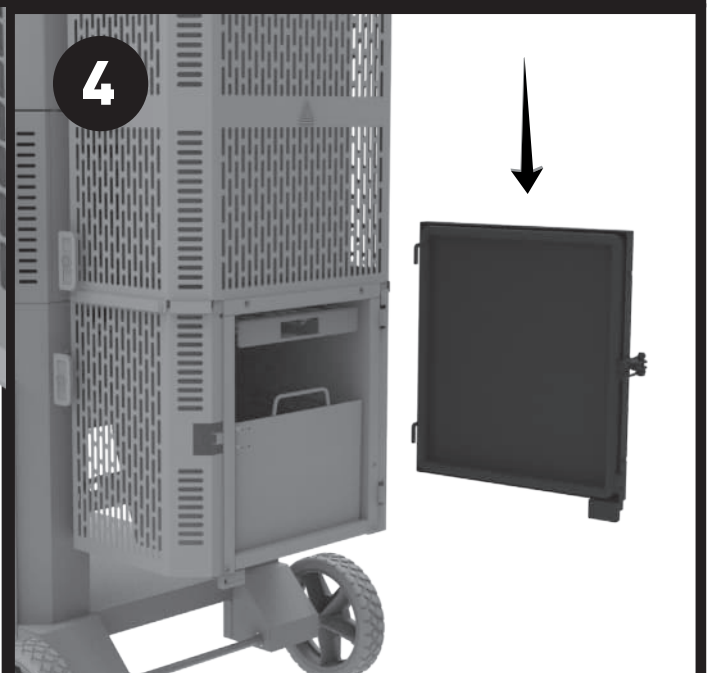
Remove the hopper door.



Add the mechanical switch to the new hopper door.



Add magnetic switch to the new hopper door.



Replace the hopper door.