

MASTERBUILT®

Autolignite 545 Body Kit Replacement

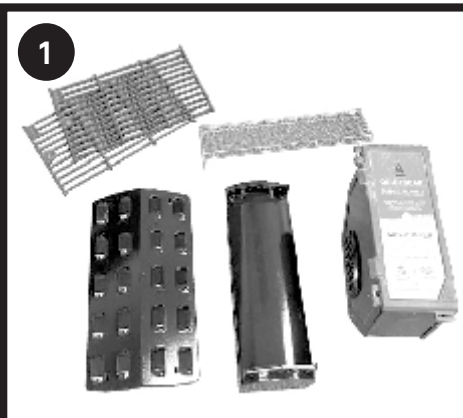
MB20041124, MB20042724



CAUTION

- Make sure the grill has cooled completely before handling to avoid burns.
- Some components may have sharp edges. Use caution and wear protective gloves to avoid injury.
- Power OFF the grill and disconnect the power from the wall before handling.

Tool needed for access and replacement: Phillips head screwdriver and adjustable wrench



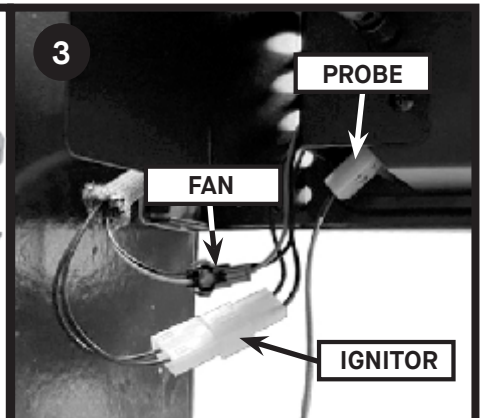
1

Remove all internals from grill (cooking grates, warming rack, hopper, manifold, and heat tent) Internals will be reused.



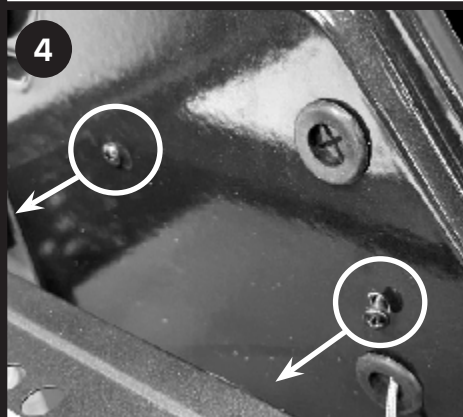
2

Remove the grease pan, grease tray, ash tray, and fire starter holder tray. All parts will be reused.



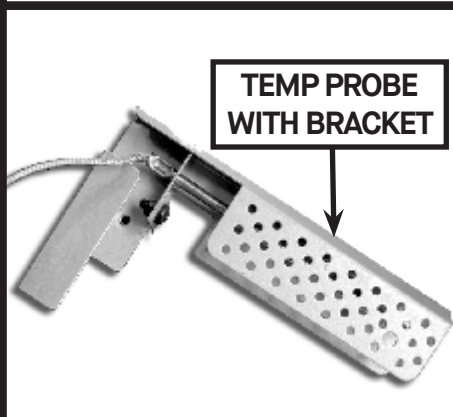
3

Remove all 3 wires from the controller (temp probe, fan, and ignitor).

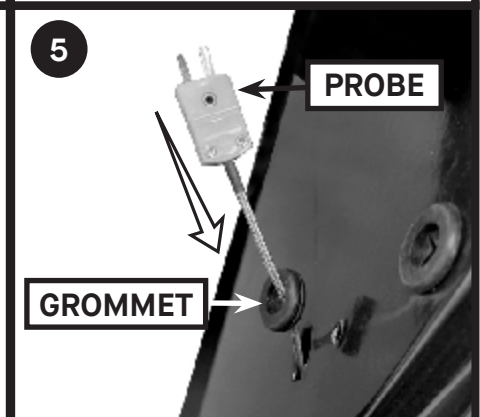


4

Remove 2 screws from the temp probe on the outside of the grill. The temp probe and bracket will be reused.

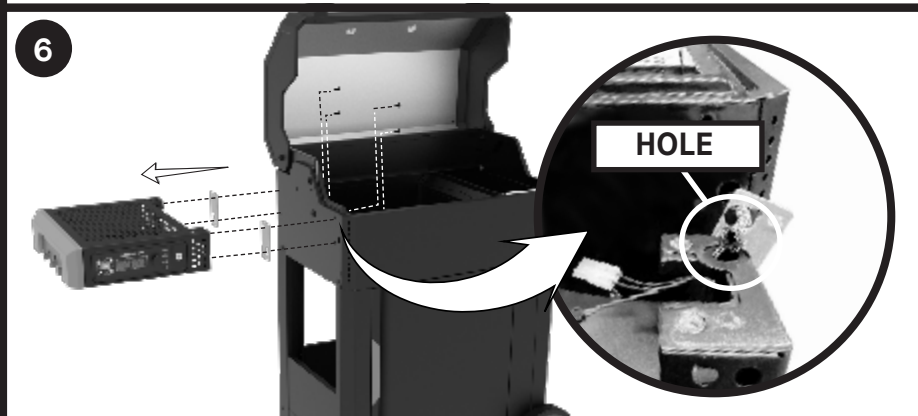


TEMP PROBE WITH BRACKET



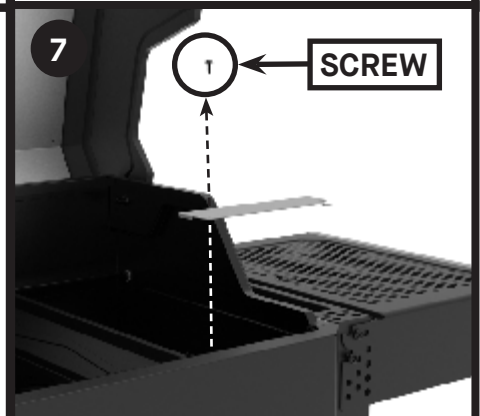
5

Remove grommet from temp probe. Feed the yellow end of temp probe into grill body to remove.



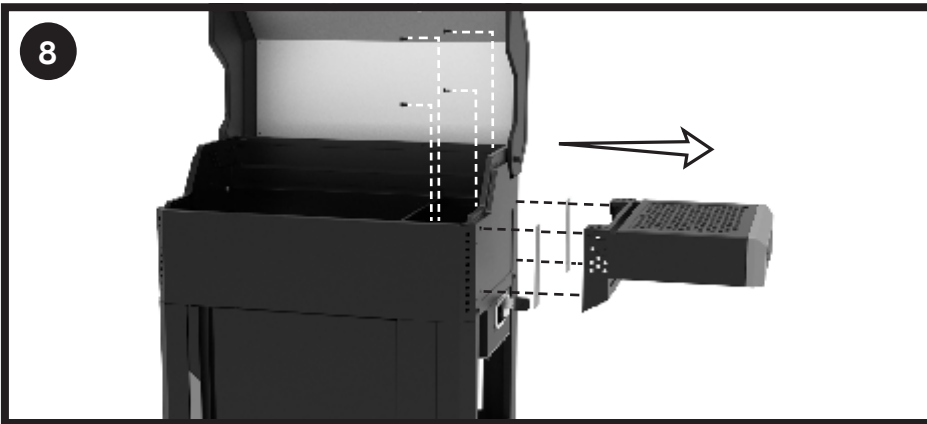
6

Remove left side shelf. Save for reuse. When you remove the shelf, you have to feed the wire harness wires through the side shelf hole one at a time (white plug and then black plug).



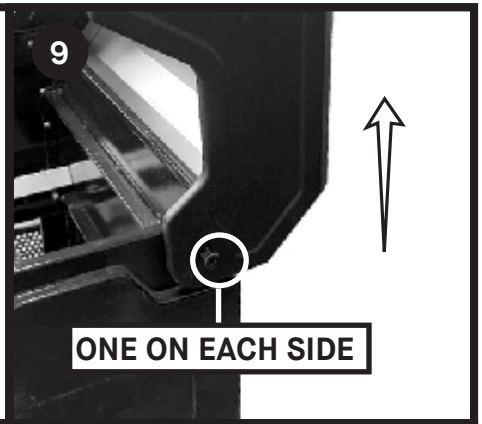
7

Remove hopper panel so you can access the right side shelf (one screw). Save for reuse.



8

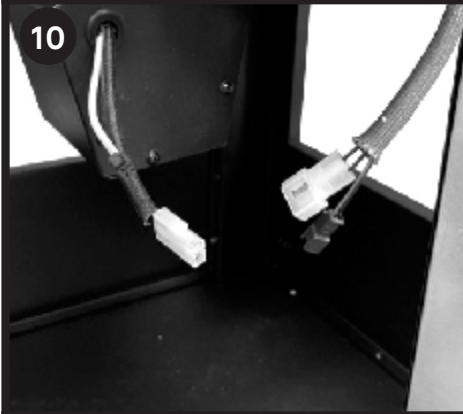
Remove right side shelf and side shelf bracket. Save for reuse.



9

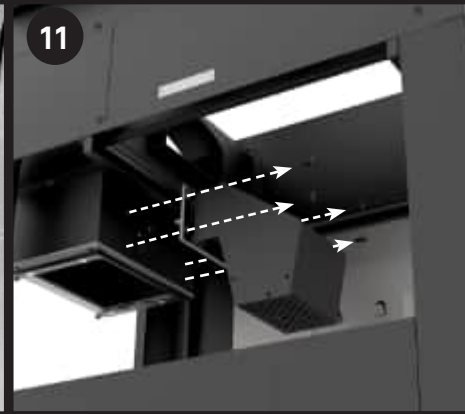
ONE ON EACH SIDE

Loosen 2 bolts and remove the lid.



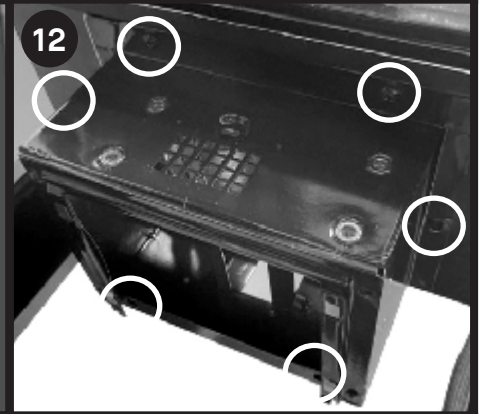
10

Unplug the wire harness near fan.



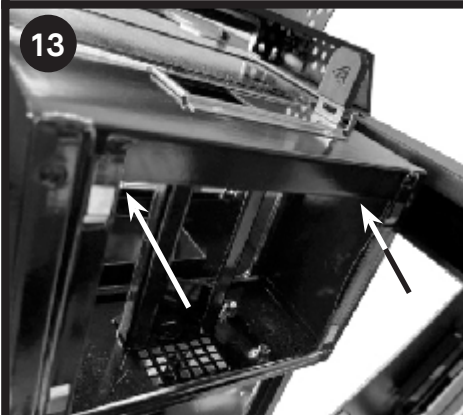
11

Remove 4 screws from fan and ignitor assembly. Remove fan and ignitor assembly.



12

Remove all 6 screws from lower burn chamber.



13

2 of the screws will be challenging to reach. Hold a long handed screwdriver at an angle to reach.



14

SCREW

SCREW

SCREW

SCREW



SCREW

SCREW

SCREW

SCREW

Remove 8 screws from the base and remove the body. Use opposite order and replace with the new body.