

MASTERBUILT®

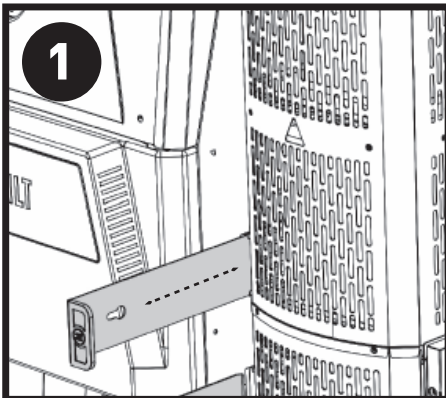
Middle Hopper Instruction Sheet

Gravity Fed Grill CGP24G1D, CGP28G1D, CGP30G1D



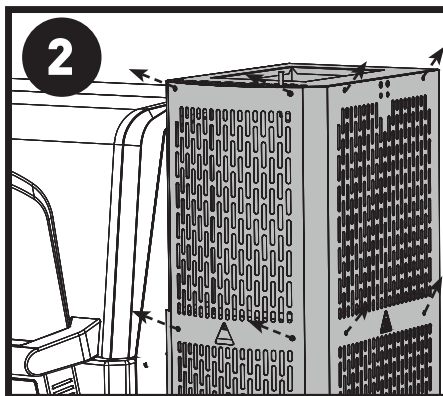
CAUTION

- Always remove plug from outlet before servicing your grill.
- Make sure your grill has fully cooled to avoid burns.
- Some components may have sharp edges. Use caution to avoid injury.



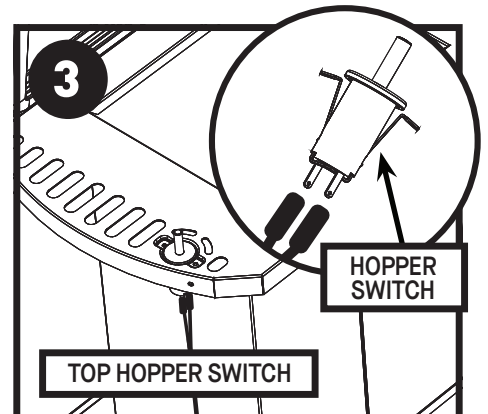
1

Remove the air intake slides.



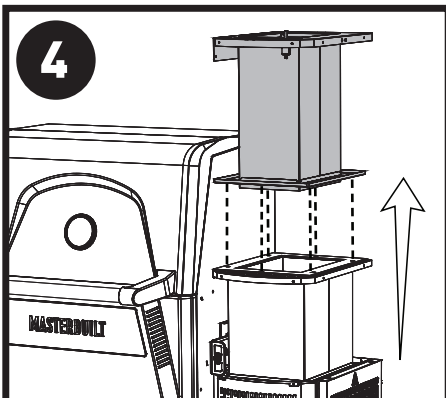
2

Remove the hopper lid and latch. Remove the heat shield by removing the top and bottom screws.



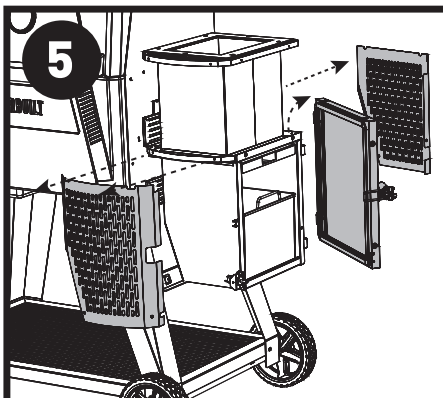
3

Remove the wiring from the lid switch.



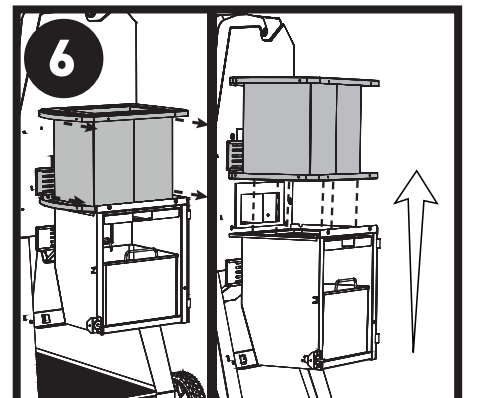
4

Unscrew the (6) M6X12 screws and remove the top hopper assembly.



5

Remove the bottom heat shields and door.



6

Unscrew the (10) screws and remove the middle hopper assembly.

INSTALLATION:

- Secure the middle part of the hopper to the bottom assembly by screwing it in with 10 screws see (Step 6).
- Secure bottom heat shield and install the door see (Step 5).
- Secure the top hopper assembly to the middle hopper assembly see (Step 4).
- Re-connect wires to the top hopper switch see (Step 3).
- Re-Install the hopper heat shield see (Step 2).
- Re-Install the air intake slides see (Step 1).