

MASTERBUILT®

Controller Module kit, GSGXT

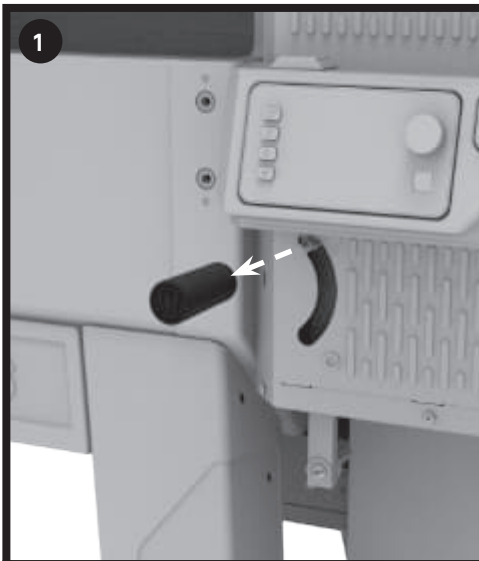
MB20041223, MB20043024



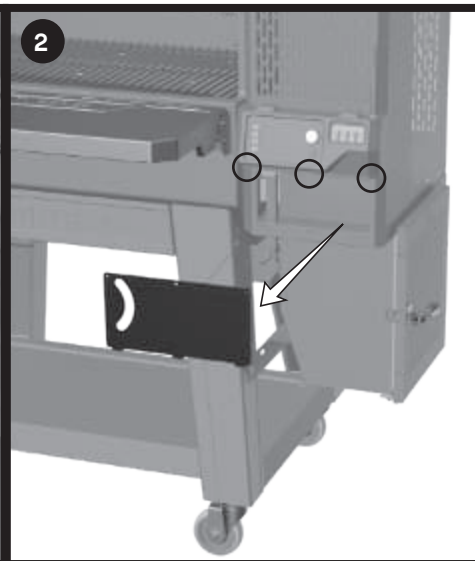
CAUTION

- Always remove plug from outlet before servicing your grill.
- Make sure your grill has fully cooled to avoid burns.
- Some components may have sharp edges. Use caution to avoid injury.

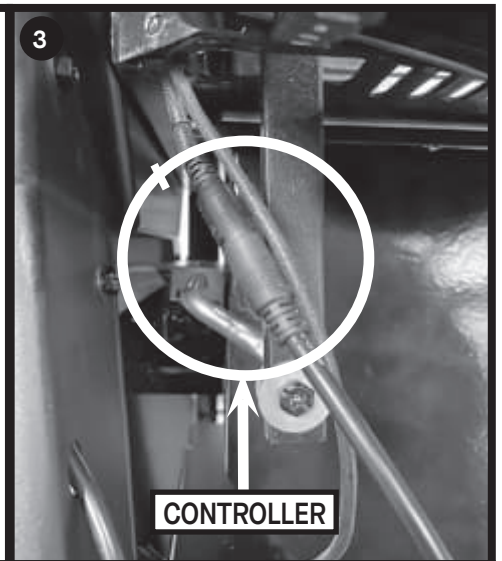
Note: Your grill may vary from images shown



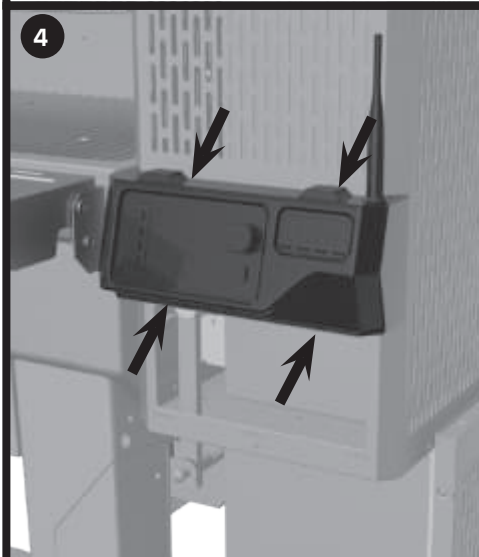
Unscrew the shutdown flap handle.



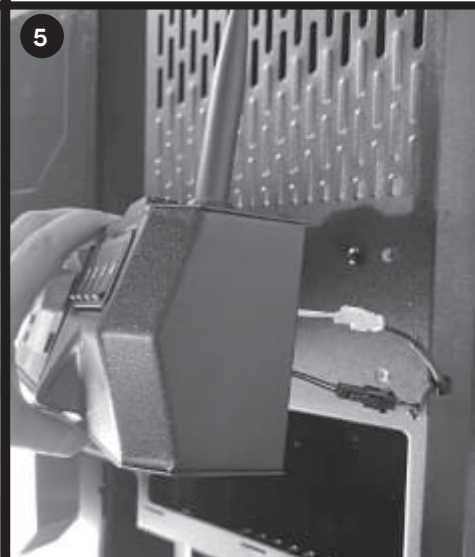
Remove 3 screws on the small hopper shroud. Remove the shroud.



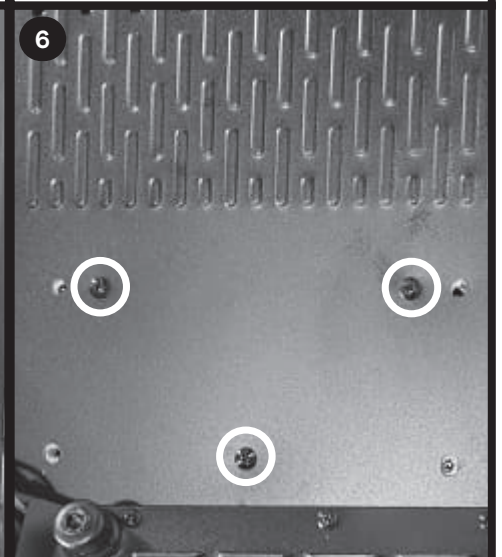
Remove the controller connections.



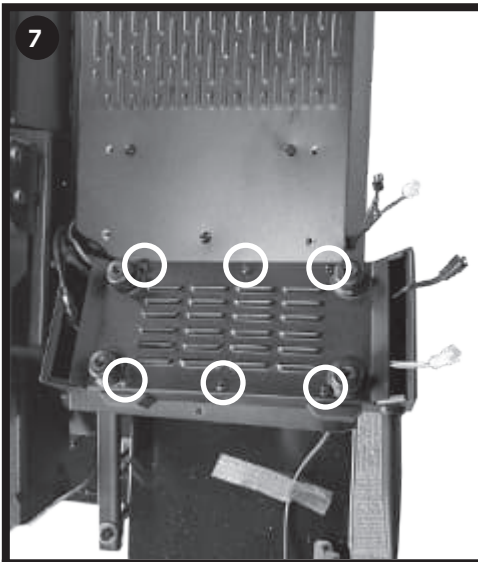
Remove the 4 thumb screws from the back of the controller. Remove the controller.



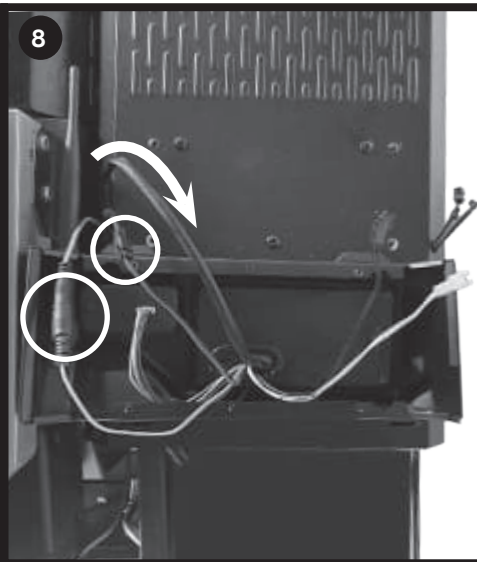
Disconnect two black and white wire connections on the side of the controller.



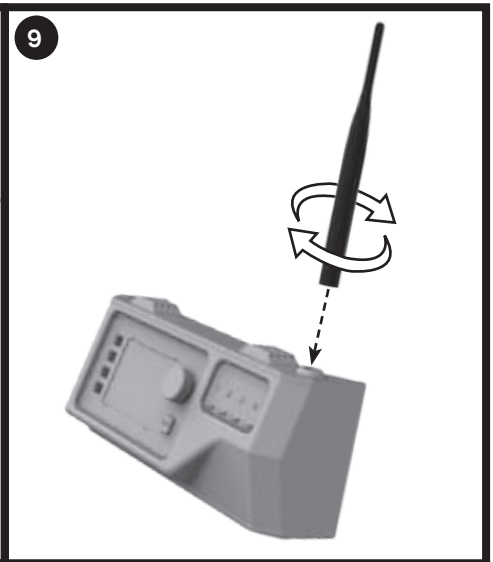
Loosen 3 screws on the insulation housing to make room for the power plug.



Remove 6 screws from rear of controller and remove the back panel.



Disconnect 2 wire connections and feed the controller wire through the hopper pass through holes. Note, you will have to remove a zip tie from the inside of the hopper.



Attach the antenna to the new controller. Rotate the antenna on the base.

Finish the controller reinstall by following all steps in reverse.