

MASTERBUILT®

Shutdown Slide Guide Replacement

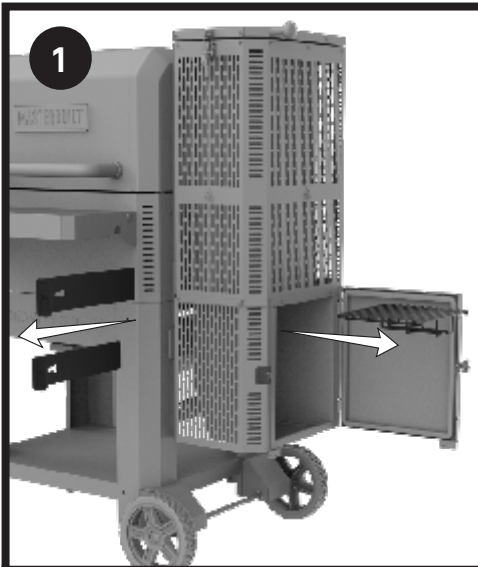


CAUTION

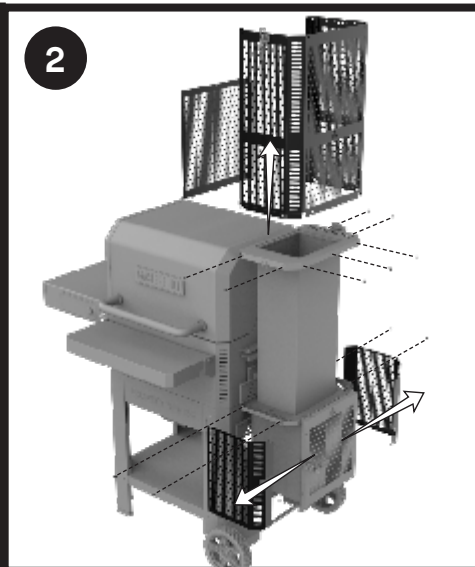


- Always remove plug from outlet before servicing your grill.
- Make sure your grill has fully cooled to avoid burns.
- Some components may have sharp edges. Use caution to avoid injury.

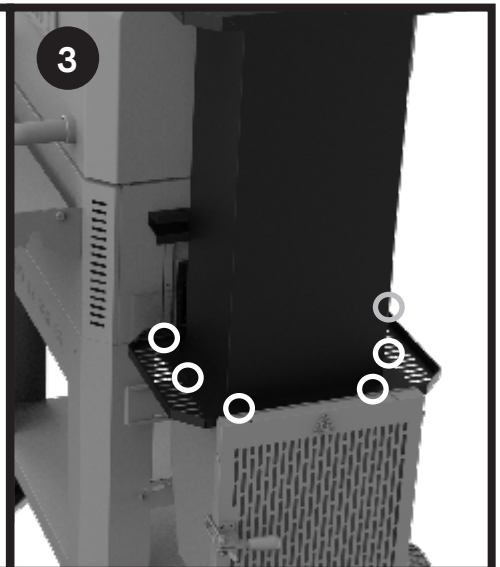
Note: Your grill may vary from images shown



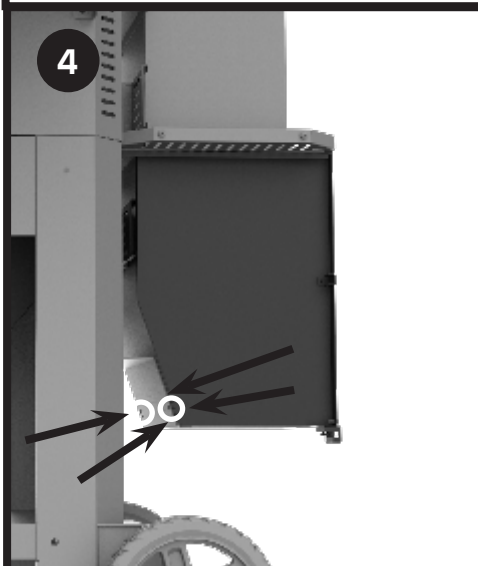
1 Remove the shutdown slides, charcoal grate and remove all charcoal from the hopper.



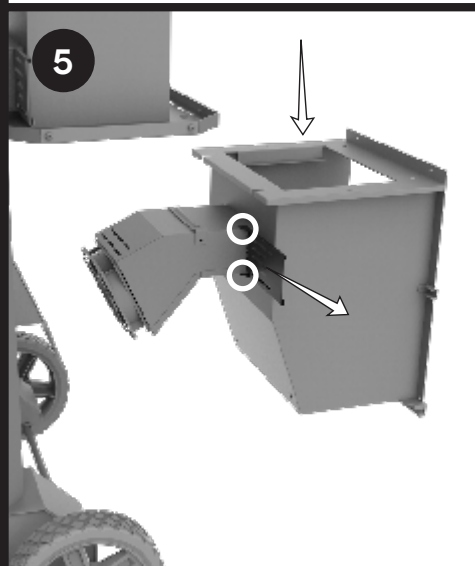
2 Remove the top and bottom hopper shroud.



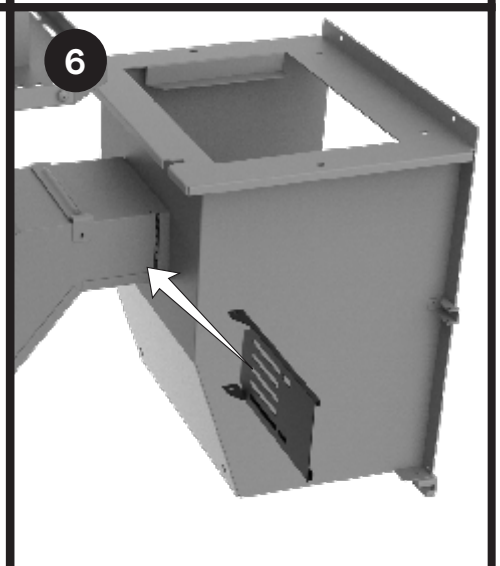
3 Remove the 6 screws from the bottom of the hopper plate.



4 Remove the 2 screws and nuts from lower hopper mounting bracket.



5 Remove lower hopper and remove the lower slide guide.



6 Replace lower slide guide.

To reinstall follow the steps in reverse order.