

MASTERBUILT®

Body Kit Replacement, GSG600

MB20041023, MB20041423



CAUTION

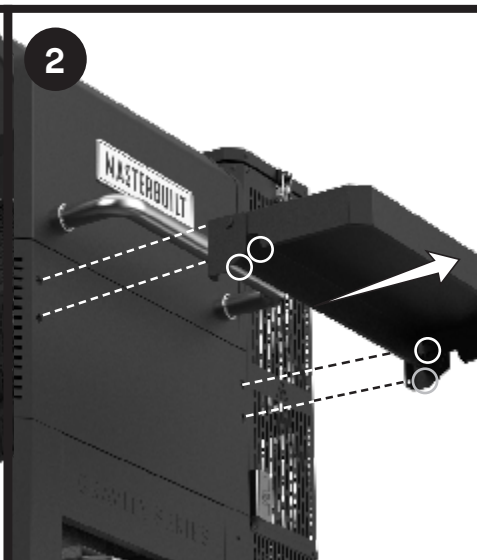
- Always remove plug from outlet before servicing your grill.
- Make sure your grill has fully cooled to avoid burns.
- Some components may have sharp edges. Use caution to avoid injury.

Note: Your grill may vary from images shown

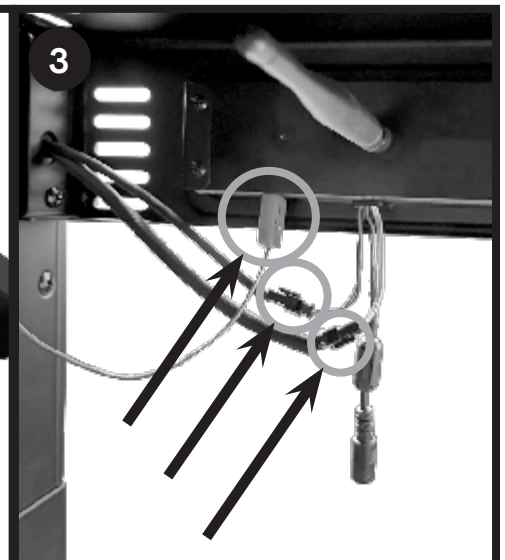
Remove: charcoal from hopper, cooking grates, warming rack, manifold, charcoal tray, ash tray, grease tray, slides, lower hopper door, and any other accessories on the grill.



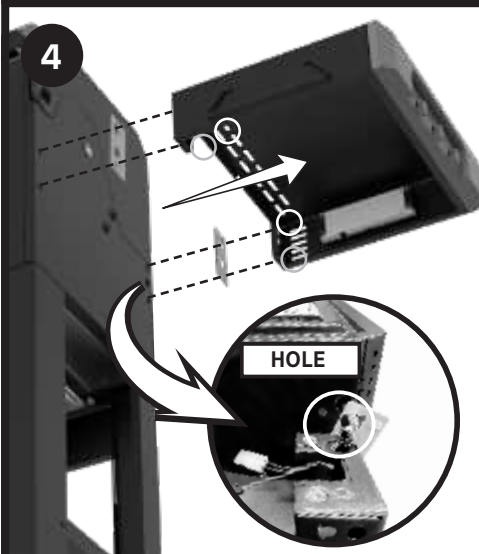
1 Remove the manifold support bracket (2 screws). Save for reuse.



2 Remove the front shelf (4 screws). Save for reuse.



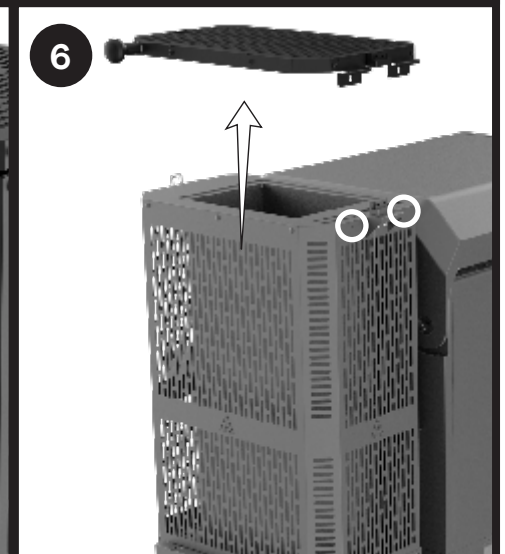
3 Unplug wires from the controller.



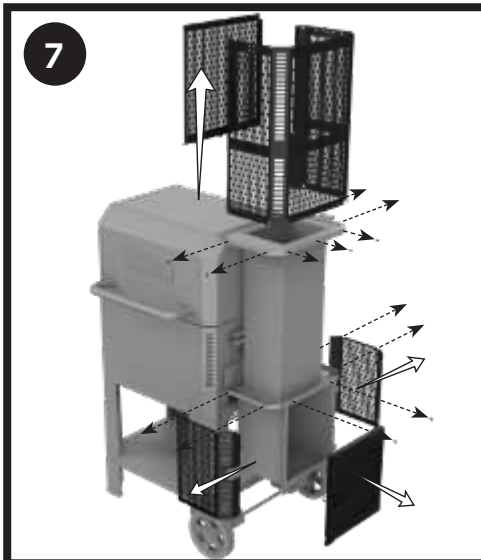
4 Remove side shelf (4 screws). When you remove the shelf, you have to feed the wire harness wires through the side shelf hole one at a time. Save for reuse.



5 Remove hopper latch (4 screws). Save for reuse.

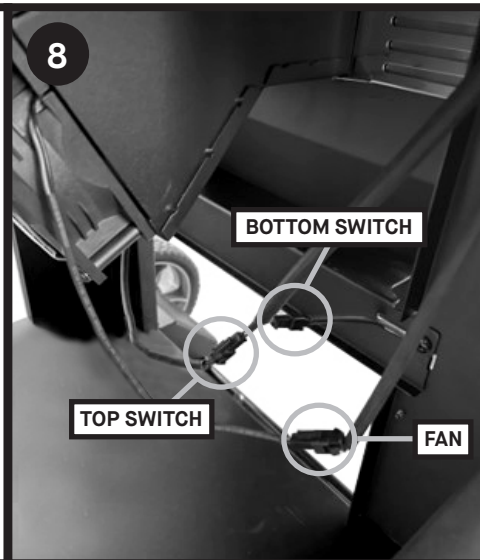


6 Remove hopper lid (2 screws). Save for reuse.



7

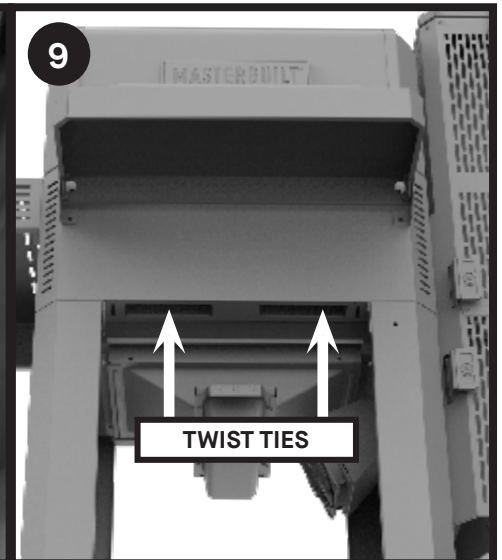
Remove the top and bottom hopper shroud. Remove the hopper door. Save for reuse.



8

TOP SWITCH
BOTTOM SWITCH
FAN

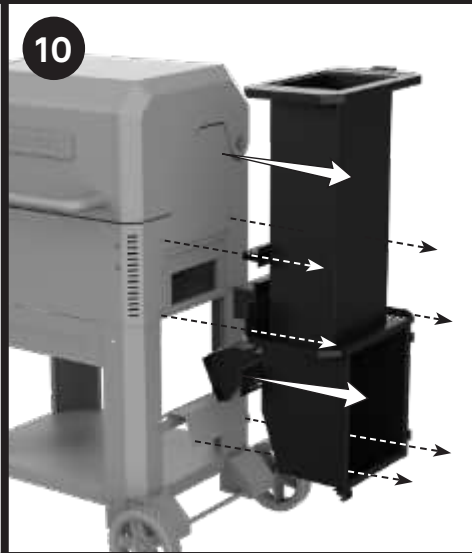
Unplug the 3 wire connections near the fan.



9

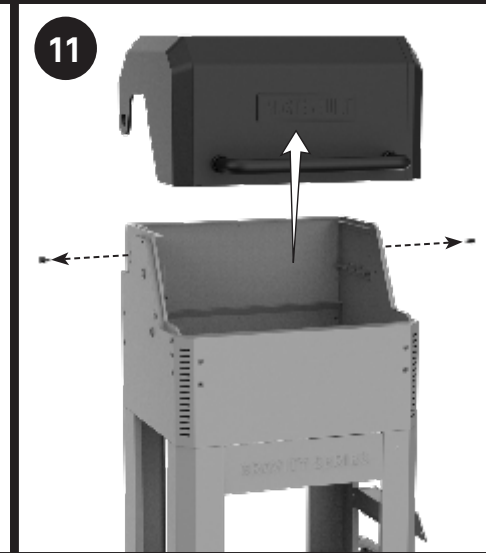
TWIST TIES

Remove the 2 twist ties near the fan and the controller.



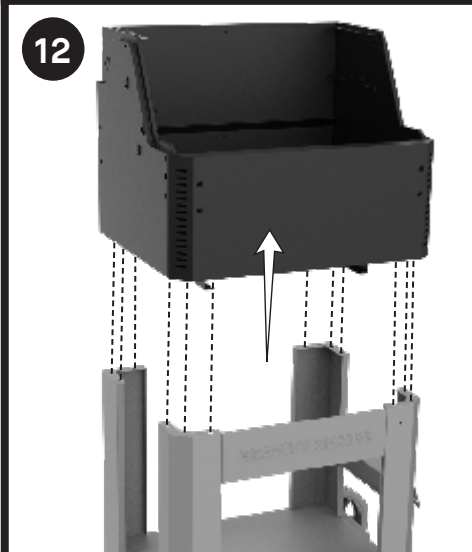
10

Remove the hopper off the body and set to the side. Save for reuse.



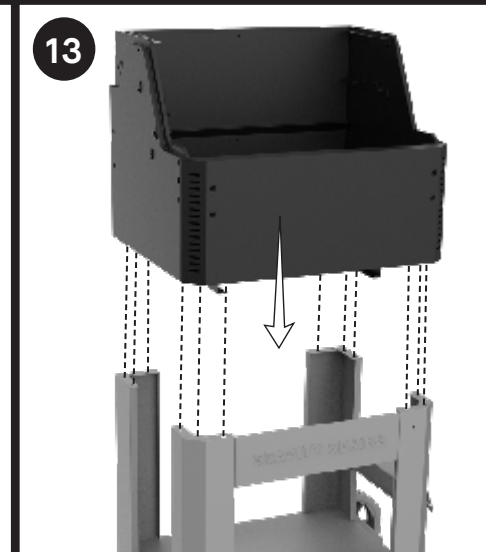
11

Remove the lid from the body (2 bolts).



12

Remove the body from the cart.



13

Replace new body.

For reinstallation, follow all steps in reverse. Start at step 11.