

MASTERBUILT®

Temperature Probe Kit, GSGXT

MB20041223, MB20043024



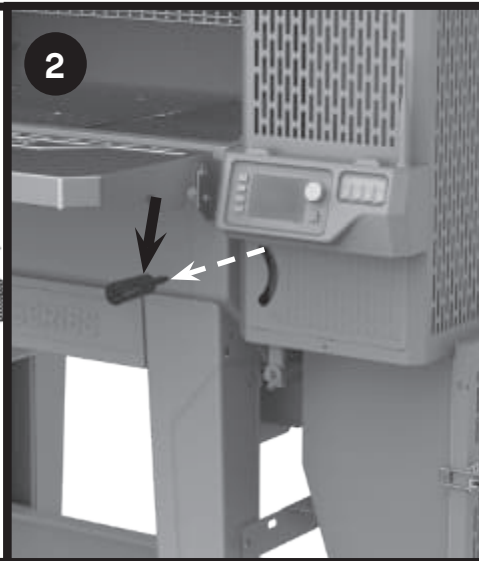
CAUTION

- Always remove plug from outlet before servicing your grill.
- Make sure your grill has fully cooled to avoid burns.
- Some components may have sharp edges. Use caution to avoid injury.

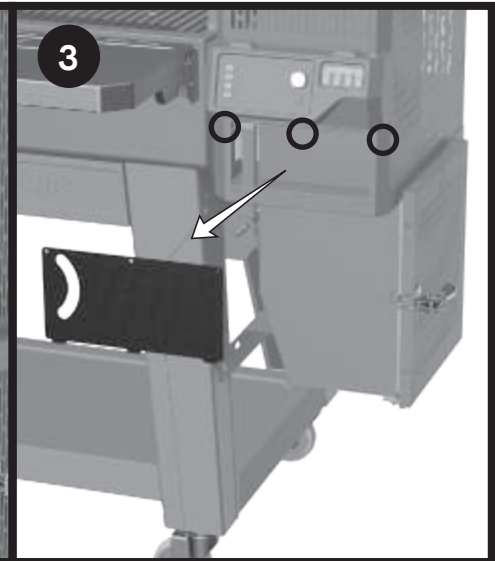
Note: Your grill may vary from images shown



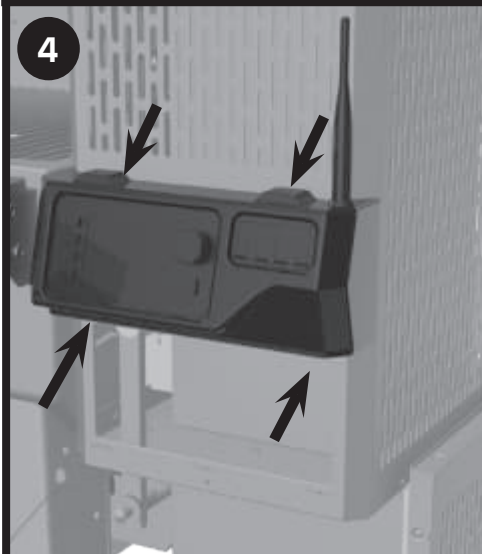
Remove all cooking grates and warming racks.



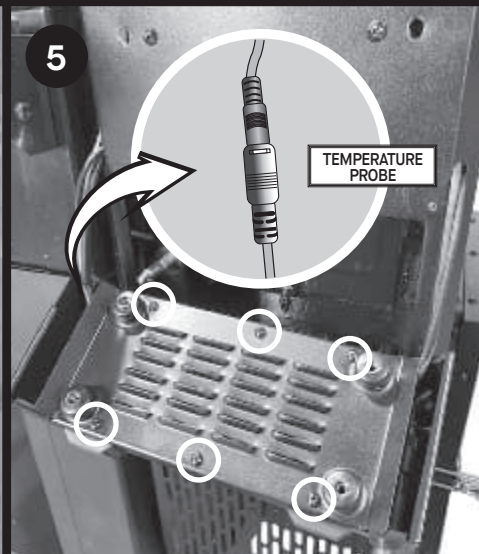
Remove 1 screw on the shutdown flap handle. Unscrew the shutdown flap handle.



Remove 3 screws on the shutdown flap hopper shroud. Remove the shroud.



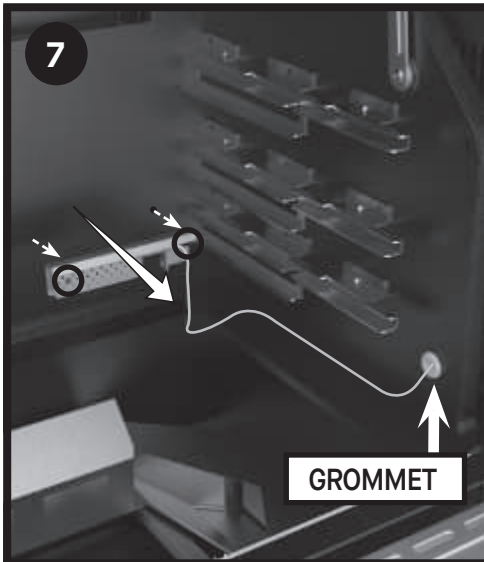
Remove the 4 thumb screws from the back of the controller. Remove the controller



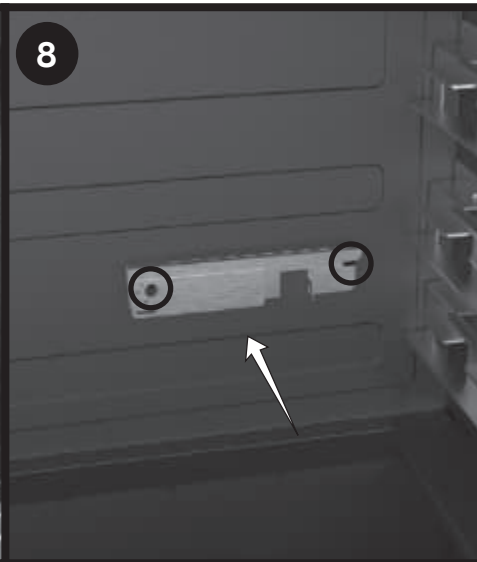
Remove the 6 screws on the back of the controller and remove the rear plate. Disconnect the temperature probe from the controller. This should be the yellow wire.



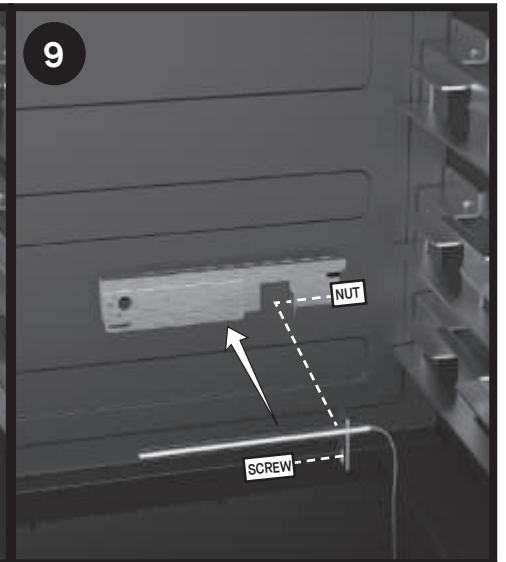
Disconnect two black and white wire connections on the side of the controller.



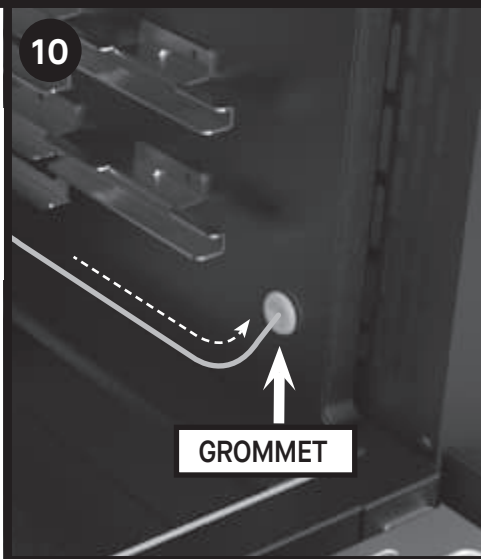
Remove the temp probe and bracket assembly (2 screws) from the rear of the grill. Remove the grommet



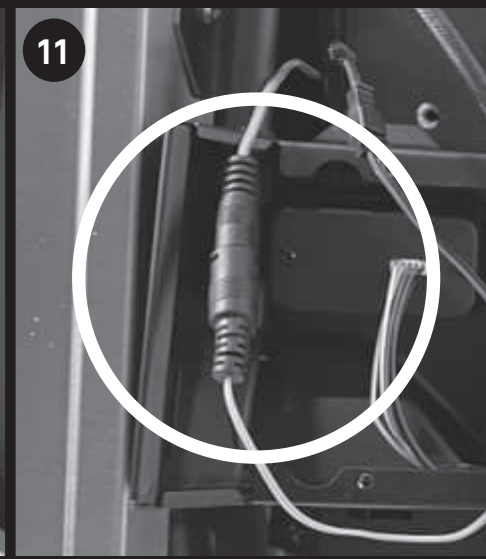
Secure the temp probe bracket (2 Screws).



Secure the new temp probe.



Route the temperature probe through the grill and secure the new grommet.



Connect the new temperature probe to the controller

For the remaining installation, follow all steps in reverse.